

TiLite Z Order Form (Replaces Aero Z)  
Rigid Frame

Effective December 2024 (New items in red)

DEALER INFORMATION		RTS INFORMATION	
Dealer:	Account #:	RTS:	Phone:
PO:	Ordered By:	Email:	
Email:		SHIP TO INFORMATION	
Mark For:	User Weight:	Name:	Ship Via:
TiLite Sales Rep:		Address:	
<b>TiLite Information:</b>	Promo Code:	City:	State: Zip:
Ship Date:	Order #:	Phone:	Fax:

Please contact the Permobil Manual Customer Service Team at [chairs.tilite@permobil.com](mailto:chairs.tilite@permobil.com) - Phone: 800.736.0925 or Fax: 866.586.2413

**FRAME STYLE**

- Aluminum Rigid Frame (Full Adjustability).....\$2,750 K0005, E1235
  - 250 lb. weight limit.....STD
  - 275 lb. weight limit.....NCO
- Aluminum Rigid Frame with Transit Tie-Down.....\$2,995 K0005, E1235
  - 250 lb. weight limit.....STD
  - 275 lb. weight limit.....NCO

**SMARTDRIVE POWER ASSIST SYSTEM**



- Permobil Smart Drive MX2+\* (N/A with rear seat heights less than 13.5").....\$7,529 E0986
  - SpeedControl Dial  Extended Mount **OR**  SwitchControl Buttons .....NCO
  - SwitchControl Button with Mono Jack Option.....\$159
    - Buddy Button .....\$262
  - Carrying Bag.....\$84
  - Universal Padded Handle .....\$22
- \*SmartDrive apps available on Apple App Store and Google Play Store for Apple Watch Series 5 or newer and Samsung Galaxy Watch 4 or newer.

**TRANSIT OPTIONS**

- Transit Tie-Down (Tested to WC-19. Consists of four Tie-Down Brackets and two Pelvic Belt Mounting Brackets). (Please refer to the user manual for important information regarding the Transit Tie-Down Options.).....\$363
- Transport Bracket Option (Consists of four Tie-Down Brackets) (Unoccupied use only).....\$379

**FRAME FINISHES**

- |  |   |  |
|--|---|--|
| <input type="checkbox"/> High Gloss Black    | <input type="checkbox"/> TiLite Red         | <input type="checkbox"/> Neon Pink           |
| <input type="checkbox"/> Ocean Blue Metallic | <input type="checkbox"/> Tangerine Metallic | <input type="checkbox"/> Acid Green Metallic |
| <input type="checkbox"/> Midnight Blue Pearl | <input type="checkbox"/> White Pearl        | <input type="checkbox"/> Black Lava          |
| <input type="checkbox"/> Titanium Grey       | <input type="checkbox"/> Pomegranate Red    | <input type="checkbox"/> Blue Mist           |
| <input type="checkbox"/> Indigo Purple       | <input type="checkbox"/> Hyper Blue         | <input type="checkbox"/> Flame Orange        |
| <input type="checkbox"/> OD Green            | <input type="checkbox"/> Silver Streak      | <input type="checkbox"/> Lavender Dusk       |
| <input type="checkbox"/> Black Galaxy        | <input type="checkbox"/> Seafoam Green      | .....STD                                     |

**COLOR ANODIZE PACKAGES**

- Black.....STD
- Gold  Green  Purple  Orange  Blue  Red .....\$195

**TiFit: TAILORED INDIVIDUALIZED FRAME** (Please see information on page 8 regarding frame measurements)

		Seat Width A									
		12	13	14	15	16	17	18	19	20	
Seat Depth B	12	<input type="checkbox"/>	<input type="checkbox"/>								
	13	<input type="checkbox"/>	<input type="checkbox"/>	<input type="checkbox"/>	<input type="checkbox"/>	<input type="checkbox"/>					
	14	<input type="checkbox"/>	<input type="checkbox"/>	<input type="checkbox"/>	<input type="checkbox"/>	<input type="checkbox"/>	<input type="checkbox"/>	<input type="checkbox"/>	<input type="checkbox"/>		
	15	<input type="checkbox"/>	<input type="checkbox"/>	<input type="checkbox"/>	<input type="checkbox"/>	<input type="checkbox"/>	<input type="checkbox"/>	<input type="checkbox"/>	<input type="checkbox"/>	<input type="checkbox"/>	
	16	<input type="checkbox"/>	<input type="checkbox"/>	<input type="checkbox"/>	<input type="checkbox"/>	<input type="checkbox"/>	<input type="checkbox"/>	<input type="checkbox"/>	<input type="checkbox"/>	<input type="checkbox"/>	<input type="checkbox"/>
	17	<input type="checkbox"/>	<input type="checkbox"/>	<input type="checkbox"/>	<input type="checkbox"/>	<input type="checkbox"/>	<input type="checkbox"/>	<input type="checkbox"/>	<input type="checkbox"/>	<input type="checkbox"/>	<input type="checkbox"/>
	18	<input type="checkbox"/>	<input type="checkbox"/>	<input type="checkbox"/>	<input type="checkbox"/>	<input type="checkbox"/>	<input type="checkbox"/>	<input type="checkbox"/>	<input type="checkbox"/>	<input type="checkbox"/>	<input type="checkbox"/>
	19			<input type="checkbox"/>	<input type="checkbox"/>	<input type="checkbox"/>	<input type="checkbox"/>	<input type="checkbox"/>	<input type="checkbox"/>	<input type="checkbox"/>	<input type="checkbox"/>
	20			<input type="checkbox"/>	<input type="checkbox"/>	<input type="checkbox"/>	<input type="checkbox"/>	<input type="checkbox"/>	<input type="checkbox"/>	<input type="checkbox"/>	<input type="checkbox"/>

Note: Configurations including 20" Seat Width .....\$559 E2201  
 Configurations including 20" Seat Depth .....\$675 E2203



TiLite Z Order Form  
Rigid Frame

Effective December 2024 (New items in red)

**CUSTOM FRAME DEPTH** Measure from front of seat sling to beginning of frame bend. Frame bend will start 1" in front of seat sling unless Custom Frame Depth is specified, or the combination of specifications affect the rolling dynamics of the chair.

- 1" ..... **STD**  
 0.5"  1.5"  2" ..... **NCO**

**FRONT SEAT HEIGHT c** Measure from floor to top of seat tube at front edge of seat sling.

- 16"  16.5"  17"  17.5"  18"  18.5"  19"  19.5"  20"  20.5"  21" ..... **STD**

**REAR SEAT HEIGHT RANGES** (Will be optimized to achieve desired rear seat height allowing +/- 1" adjustment)

Rear Wheel Size	Rear Seat Height d
20" (451)	13.0"-18.5"
22" (501)	14.0"-19.5"
24" (540)	15"-20.5"
25" (559)	15.5"-20.5"
26" (590)	16"-20.5"

**REAR SEAT HEIGHT d** Measure from floor to top of seat tube at back post.

- 13"  13.5"  14"  14.5"  15"  15.5"  16"  16.5"  17"  17.5"  18"  18.5"  
 19"  19.5"  20" ..... **STD**

**FRONT ANGLE e** Measure from frame front to floor.

- 75°  80°  85° (N/A with 6" Front Wheels.)  90° (N/A with 5" or 6" Front Wheels.) ..... **STD**

**CENTER OF GRAVITY f** Measure from front of back post at the seat tube to the center of the rear axle.

- 1"  1.5"  2"  2.5"  3"  3.5"  4"  4.5"  5" ..... **STD**  
 Amputee Axle Plate (Center of Gravity positioned -1" behind back canes) ..... **\$225 E0959**

**FOOTREST OPTIONS**

**Footrest Width**

SEAT WIDTH A (Outside Measurement)	No Taper	1.5" Taper (4" Narrower than Rear Seat Width) 14" or greater seat to footrest (H) required	3.5" Taper (6" Narrower than Rear Seat Width) 14.5" or greater seat to footrest (H) required
12"	<input type="checkbox"/> 9.5"	<input type="checkbox"/> 8"	
13"	<input type="checkbox"/> 10.5"	<input type="checkbox"/> 9"	
14"	<input type="checkbox"/> 11.5"	<input type="checkbox"/> 10"	
15"	<input type="checkbox"/> 12.5"	<input type="checkbox"/> 11"	<input type="checkbox"/> 9"
16"	<input type="checkbox"/> 13.5"	<input type="checkbox"/> 12"	<input type="checkbox"/> 10"
17"	<input type="checkbox"/> 14.5"	<input type="checkbox"/> 13"	<input type="checkbox"/> 11"
18"	<input type="checkbox"/> 15.5"	<input type="checkbox"/> 14"	<input type="checkbox"/> 12"
19"	<input type="checkbox"/> 16.5"	<input type="checkbox"/> 15"	<input type="checkbox"/> 13"
20"	<input type="checkbox"/> 17.5"	<input type="checkbox"/> 16"	<input type="checkbox"/> 14"

**SEAT TO FOOTREST h** Measure from front edge of seat sling to top rear of footrest

**Standard Footrests** Measurement must be at least 2" shorter than Front Seat Height

- 13.5"  14"  14.5"  15"  15.5"  16"  16.5"  17"  17.5"  18"  18.5"  19"

- Aluminum Open Loop Footrest** ..... **STD**  
 ABS Cover ..... **\$30**  
 Angle Adjustable Footrest ..... **\$185 K0040**  
 Flip-Back Angle Adjustable Footrest ..... **\$244 K0040**

**High Mount Footrest** (N/A with taper)

- 7"-9" (with 4" risers)  9"-11" (with 2" risers)  11"-13" Set at \_\_\_\_\_ ..... **\$155 K0037, K0040**

**FOOTREST ACCESSORIES**

- Safe Tread Non-Skid Adhesive Patch ..... **\$20**

**CALF STRAPS**

- Velcro Adjustable ..... **\$44 K0038**

- Small (Recommended for 9" - 12" Footrest Widths.)  
 Medium (Recommended for 11" - 15" Footrest Widths.)  
 Large (Recommended for 14" - 17" Footrest Widths.)  
 Extra Large (Recommended for 16" - 19" Footrest Widths.)

TiLite Z Order Form  
Rigid Frame

Effective December 2024 (New items in red)

- Bodypoint® Padded Velcro Adjustable.....\$109 K0038
  - Small (Recommended for 8"- 11" Footrest Widths.)
  - Medium (Recommended for 11"- 15" Footrest Widths.)
  - Large (Recommended for 16"- 19" Footrest Widths.)
- Buckle Adjustable, Black Nylon Webbing .....\$50 K0038

**CLAMP ON RESIDUAL LIMB SUPPORT**

- Left (8" width x 10" length).....\$495 E1020
- Right (8" width x 10" length).....\$495 E1020
- Pair (8" width x 10" length).....\$895 E1020

**SEAT BACK CONFIGURATIONS**

**SEAT BACK TYPE**

- Folding Aluminum Adjustable Height Back.....STD

**PUSH HANDLES**

- Integrated Push Handles.....STD
- Integrated Fold-Down Push Handles.....\$125
- Bolt on Height Adjustable Push Handles (Requires 4" deep rigidizer bar.).....\$363
- Omit Push Handles.....NCO

**SEAT BACK HEIGHT** I Measure from top of seat tube at rear of frame to top of backrest upholstery.

Push Handles	Short	Medium	Tall	Set at: (Use .5" increments)
None / Bolt-On	9"-11.5"	12"-15.5"	16"-20.5"	Set at: _____
Integrated	10.0"-12.5"	13.5"-16.5"	17.5"-20.5"	Set at: _____
Integrated Fold Down	12" – 13.5"	14" – 17.5"	18" – 20.5"	Set at: _____

**BACKREST OPTIONS**

**RIGIDIZER BAR**

- 3" deep **OR**  4" deep (Standard is 3" deep rigidizer bar).....NCO
- Locking Backrest (locks in up and down position).....STD
- Non-Locking Backrest (locks in up position only).....NCO
- Depth Adjustable Back/Frame (N/A with 19" or 20" Seat Depths. Allows 2" of rearward adjustment in 1" increments. Bolt On Height Adjustable Push Handles have a limited height range with Depth Adjustable Back).....\$185

**SEAT BACK ANGLE** J Measure angle from front of back post to floor.

- 80°  83°  86°  89°  92°  95°  98°  101° .....STD

**BACK UPHOLSTERY**

- Standard Back Upholstery (Tension Adjustable. Includes Privacy Flap).....STD
- AIR Breathable Back Upholstery (Tension Adjustable. Includes Privacy Flap).....\$369 E2611**
  - Removable Lumbar Contour Pack
  - Removable Lateral Contour Pack
- Omit Back Upholstery.....NCO
- 4" Military Service Patch.....\$115
  - Army  Navy  Air Force  Marines  Coast Guard  Purple Heart

**PERMOBIL BACK SUPPORTS** (Please see information on page 8 regarding product shipment)

**ROHO® AGILITY® ACTIVE ALUMINUM BACK SUPPORT**

Shell Height  8"  10"

**Contour and Insert**

- Minimum Contour AGILITY® Active Aluminum with Foam .....\$738 E2620
- Mid Contour AGILITY® Active Aluminum with Foam .....\$738 E2620
- ROHO Privacy Shield .....\$65

**ROHO® AGILITY® ACTIVE CARBON**

Shell Height  10"  13"  16"

**Contour and Insert**

- Minimum Contour, Foam.....\$1,202 E2620
- Mid Contour, Foam.....\$1,202 E2620
- ROHO Privacy Shield.....\$65

TiLite Z Order Form  
Rigid Frame

Effective December 2024 (New items in red)

**COMFORT ACTA-BACK®** (Backs over 20" wide or tall are subject to increased pricing)

- Shell Height  10"  12"  14"  16"  18"  20"  22" ..... \$623 E2613, E2614  
 Comfort-Tek Cover **OR**  Stretch-Air Cover ..... **NCO**  
 Comfort Privacy Flap ..... \$44

**COMFORT ACTA-EMBRACE®** (Backs over 20" wide or tall subject to increase pricing)

- Shell Height  10"  12"  14"  16"  18"  20"  22" ..... \$649 E2613, E2614  
 Comfort-Tek Cover **OR**  Stretch-Air Cover ..... **NCO**  
 Comfort Privacy Flap ..... \$44

**COMFORT ACTA-RELIEF**

- Shell Height  10"  12"  14"  16"  18"  20"  22" ..... \$886 E2615  
 Comfort-Tek Cover **OR**  Stretch-Air Cover ..... **NCO**  
 Comfort Privacy Flap ..... \$44

**SEAT UPHOLSTERY AND SEATING**

- Tension Adjustable Seat Upholstery ..... **STD**  
 Omit Seat Upholstery ..... **NCO**

**PERMOBIL SEAT CUSHIONS** (Please see information on page 8 regarding product shipment)

**Comfort Company Cushions** (Cushions over 20" wide subject to increase pricing)

- Comfort Curve Cushion Comfort-Tek cover ..... \$122 E2601, E2602  
 Comfort Acta-Embrace™ Zero Elevation Cushion with Comfort-Tek cover ..... \$428 E2607, E2608  
 Comfort M2 Zero Elevation Cushion with Comfort-Tek cover ..... \$474 E2607, E2608

**ROHO® Cushions** (Cushions over 20" wide subject to increase pricing)

- ROHO Single Compartment  Low Profile  Mid Profile  High Profile ..... \$534 E2622, E2623  
 ROHO Quadtro Select  Low Profile  Mid Profile  High Profile ..... \$534 E2624, E2625  
 ROHO Hybrid Elite  Single Compartment  Dual Compartment ..... \$552 E2622, E2623  
 ROHO Hybrid Select ..... \$571 E2624

**CUSTOM CONFIGURATION OPTIONS**

**FRONT WHEELS**

**3" Casters**

- 3"x1.5" LiteSpeed Billet Aluminum Wheel w/ Soft Roll Tire  Silver Hub **OR**  Black Hub ..... \$205

**4" Casters**

- 4"x1.5" LiteSpeed Plastic Wheel w/Soft Roll Tire ..... **STD**  
 4"x.75" Plastic Wheel w/Poly Tire (N/A with Slipstream fork) ..... \$65  
 4"x.75" Light-Up Micro-Caster (N/A with Slipstream fork) ..... \$125  
 4"x1.5" LiteSpeed Billet Aluminum Wheel w/Soft Roll Tire  
 Silver Hub **OR**  Black Hub ..... \$217

**5" Casters**

- 5"x1.5" LiteSpeed Plastic Wheel w/Soft Roll Tire (N/A with 90° Front Angle E) ..... **STD**  
 5"x1" Plastic Wheel w/Poly Tire (N/A with 90° Front Angle L or Slipstream fork) ..... \$65  
 5"x1.5" LiteSpeed Billet Aluminum Wheel w/Soft Roll Tire  
 Silver Hub **OR**  Black Hub ..... \$233

**6" Casters** (N/A with 85° or 90° Front Angle E or Slipstream fork)

- 6"x1.5" LiteSpeed Plastic Wheel w/Soft Roll Tire (N/A with 85° or 90° Front Angle E or Slipstream fork) ..... **STD**  
 6"x1" Plastic Wheel w/Poly Tire ..... \$65  
 6"x1.5" LiteSpeed Billet Aluminum Wheel w/Soft Roll Tire (N/A with 85° or 90° Front Angle E or Slipstream fork)  
 Silver Hub **OR**  Black Hub ..... \$244

**FRONT FORKS**

- TiLite Standard Fork ..... **STD**  
 TiLite Slipstream Single-Sided Fork ..... \$185  
 Glide Suspension Fork (Max user weight 265 lbs, N/A with ano) ..... \$526 E1015  
 Rider's Weight:  125 lbs.  125-180 lbs.  180-265 lbs.

TiLite Z Order Form  
Rigid Frame

**REAR WHEELS** (See Rear Seat Height Ranges Chart for Rear Seat Height D limitations)

**STANDARD REAR WHEELS**

	20" (451)	22" (501)	24" (540)	25" (559)	26" (590)
TiLite Wheels	<input type="checkbox"/> STD	<input type="checkbox"/> STD	<input type="checkbox"/> STD	<input type="checkbox"/> STD	<input type="checkbox"/> STD

When ordering 24" wheel with treaded pneumatic or treaded tire with airless inserts and aluminum black or silver anodized handrims and long tabs, the chair will ship with TiLite standard rear wheel. Otherwise, the chair will ship TiLite Shadow rear wheel.

**ALTERNATIVE REAR WHEELS**

	20" (451)	22" (501)	24" (540)	25" (559)	26" (590)
X-Core Mag®	<input type="checkbox"/> \$225	<input type="checkbox"/> \$225	<input type="checkbox"/> \$225		
Spinergy Spox <input type="checkbox"/> Black <input type="checkbox"/> Red <input type="checkbox"/> Blue <input type="checkbox"/> White	<input type="checkbox"/> \$1,195	<input type="checkbox"/> \$1,195	<input type="checkbox"/> \$1,195	<input type="checkbox"/> \$1,195	<input type="checkbox"/> \$1,195
Spinergy LX <input type="checkbox"/> Black <input type="checkbox"/> Red <input type="checkbox"/> Blue <input type="checkbox"/> White <input type="checkbox"/> Bright Orange <input type="checkbox"/> Flamingo Pink <input type="checkbox"/> Purple		<input type="checkbox"/> \$1,295	<input type="checkbox"/> \$1,295	<input type="checkbox"/> \$1,295	<input type="checkbox"/> \$1,295
Spinergy Design Lab LX (Available with black spokes only) <input type="checkbox"/> Gold Anodize <input type="checkbox"/> Green Anodize <input type="checkbox"/> Blue Anodize <input type="checkbox"/> Red Anodize <input type="checkbox"/> Purple Anodize <input type="checkbox"/> Orange Anodize		<input type="checkbox"/> \$1,995	<input type="checkbox"/> \$1,995	<input type="checkbox"/> \$1,995	<input type="checkbox"/> \$1,995

X-Core Mags requires Aluminum Silver Anodized Handrims with long tabs. N/A with Heavy Duty Frame, Quad Release Axles, Spoke Guards

**PNEUMATIC REAR TIRES**

- Treaded (N/A with 25"(559) rear wheels).....STD
- Treaded with Airless Inserts (N/A with 25"(559) rear wheels).....\$145 **E2213**
- MBL SpeedLite.....NCO
- Primo Sentinel.....\$159
- Schwalbe® Marathon Plus Evolution (N/A with Mag or 22" (501) wheels).....\$169
- Primo C-763 Knobby (Available on 24"(540) rear wheels.).....\$129

**SOLID REAR TIRES**

- Primo Active (Available on 24"(540) and 25"(559) rear wheels.).....\$160
- Primo Orion (Replaces Primo Express) (N/A with 26"(590) Rear Wheels).....\$160

**CAMBER κ** (Rear wheel spacing will be set to minimum value allowed by your configuration)

- 0°  2°  4°  6° .....STD

**AXLES**

- Stainless Quick Release.....STD
- Quad Release (N/A with Mag or 24"(540)/ 25" (559) Spinergy Spox or Spinergy LX RearWheels).....\$169

**HANDRIMS**

- Aluminum –  Silver Ano **OR**  Black Ano.....STD
- Plastic Coated – Black.....\$174
- Omit Handrims.....NCO

**The Natural-Fit® – Original, Larger Profile** (N/A with 20"(451) Rear Wheels.)

- Standard Grip (Requires Long Tabs).....\$428
- Super Grip (Requires Long Tabs).....\$466
- Without Thumb Grip.....\$390

**The Natural-Fit® LT – Reduced Weight, Smaller Profile** (N/A with 20"(451) Rear Wheels.)

- Standard Grip (Requires Long Tabs).....\$450
- Super Grip (Requires Long Tabs).....\$514
- Without Thumb Grip.....\$423

**The Surge (All-In-One Oval with Gription™ Strip)**

- The Surge (Larger Profile).....\$495
- The Surge LT (Smaller Profile).....\$466

**Q Grip (High-Friction, Anti-Slip Coating)**

- Q-Grip (N/A with 20" (451) Rear Wheels).....\$495

**TAB LENGTH**

- Long Tabs.....STD
- Short Tabs (N/A with Mag Rear Wheels.).....\$39

**SPOKE GUARDS**

- Clear Lexan (N/A with Mag Rear Wheels.).....\$179 **K0065**

**WHEEL LOCKS**

**Aluminum Wheel Locks**

- Push to Lock .....STD
- Pull to Lock .....STD
- Extension Handles for Aluminum Push/Pull to Lock .....\$75 E0961

**Composite Wheel Locks**

- Compact Composite Push to Lock .....\$129
- Compact Composite Pull to Lock .....\$129
- Extension Handles for Compact Composite Push/Pull to Lock .....\$93 E0961
- Compact Composite Scissor Lock .....\$158

**Additional Wheel Locks**

- Grade Aids, Push to Lock (Requires pneumatic tires) .....\$395 E0974

**ALUMINUM SIDE GUARDS**

- Rigid Removable  Small  Standard .....\$217
- Quad Removable w/ Hole  Small  Standard .....\$233
- Fold Down Side Guards  Small  Standard .....\$363

**ARMRESTS**

- Omit .....NCO

**Standard Armrest**

- Fixed Height Non-Removable Armrest .....STD
- Short OR  Tall

**Swing Away Tubular**

- Height Adjustable .....\$244 E0973
- Range:  6.5" to 9.5" OR  9.5" to 12.5"
- Height Adjustable Flip Back (Height Adjustable from 8.5" to 11") .....\$342 E0973
- Height Adjustable with Sideguards (Side guard will be NCO) .....\$425 E0973
- Range:  6.5" to 9.5" OR  9.5" to 12.5"

**T-Style Armrests (Requires minimum seat depth of 15")**

- Removeable Height Adjustable T Arm .....\$375 E0973
- 8" to 12" OR  10" to 14"
- Desk Length Pad (10") OR  Full Length Pad (14")

**POSITIONING BELTS**

- Velcro Adjustable, Black Nylon Webbing .....\$61 E0978
- Bodypoint® 2" Push-Button Buckle (Auto-Style) .....\$103 E0978
- Bodypoint® 1.5" Wide Push-Button Buckle Padded (Auto-Style, N/A with 19" -20" Rear Widths) .....\$185 E0978
- Bodypoint® 1" Wide Push-Button Buckle Padded (Auto-Style, N/A with 19" -20" Rear Widths) .....\$196 E0978
- Bodypoint® EvoFlex® Pelvic Stabilizer Push Button .....\$201 E0978
- Q'Straint® WC-19 Wheelchair-Anchored Pelvic Belt (Recommended for use with Transit Tie Down) .....\$217 E0978
- Bodypoint® Optional Band Clamp Mounting Hardware .....\$70

**ACCESSORIES**

**ANTI-TIPS**

- Rear Aluminum - Black .....\$174 E0971
- User Friendly Flip-up .....\$363 E0971

**FUNCTIONAL ACCESSORIES**

- Upper Extremity Support Tray
  - 12" to 14" OR  13" to 15" Seat Widths A (Requires T Style Armrests.) .....\$315 E0950
  - Luggage Carriers .....\$158
  - Crutch Holder -  Left OR  Right .....\$244
- E2207

**SOFT GOOD ACCESSORIES**

- Permobil Medical Necessities Bag .....\$103
- Permobil Medical Necessities Seat Pouch .....\$66
- Bodypoint® Mobility Bag .....\$109
- Neoprene Impact Guards, Black .....\$195

# TiLite Z Order Form

## Rigid Frame

Effective December 2024 (New items in red)

Page 7 of 8

### GENERAL

Permobil manufactures TiLite manual wheelchairs in a wide variety of configurations to meet the varied needs of wheelchair users. The final selection of a particular model, its options and accessories, and its measurements rests solely with the wheelchair user and advising healthcare professional. These wheelchairs must be fitted by a qualified healthcare professional. HCPCS Codes are for reference purposes only. Actual coding and coverage varies by payer. Proper HCPCS coding is not a guarantee of payment. Please verify the appropriate payer's coverage policy.

**Get the latest order forms at permobilus.com.** Prices, standard features, options and accessories are subject to change without notice. All rights reserved. Trademarks are identified by symbols™ and ®. TiLite, TiFit, the TiLite logo, Ti, the Ti logo, and TiShaft are registered trademarks of TiSport, LLC and are licensed to Permobil. Permobil® is a registered trademark of Permobil. Adobe®, Acrobat®, Acrobat Professional® and Reader® are registered trademarks of Adobe Systems Inc. Bodypoint® is a registered trademark of Bodypoint Inc. Kenda® is a registered trademark of Kenda Rubber Industrial Co. Ltd. ROHO®, AGILITY®, Low Profile® and Quadro Select® are registered trademarks of ROHO Inc. Schwalbe® is a registered trademark of Ralf Bohle GmbH. The Natural-Fit® and Out-Front® are registered trademarks of Three Rivers Holdings, LLC. The ACTA-BACK®, ACTA-EMBRACE™, COMFORT-TEK™, COMPASS®, CURVE®, ELEMENTS®, and STRETCH AIR™ are registered trademarks of THE COMFORT COMPANY® and are licensed to Permobil. Q'Straint® is a registered trademark of Q'Straint Inc.

### NOTES

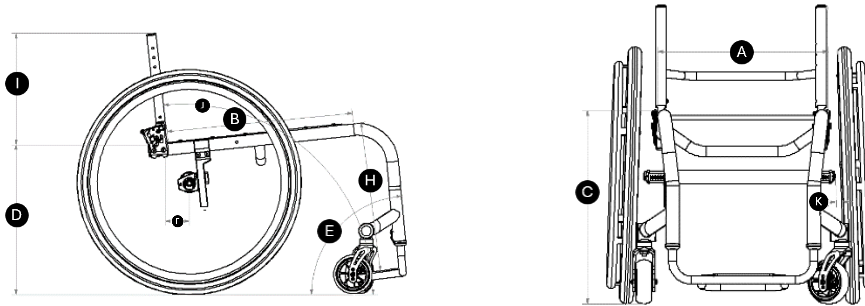
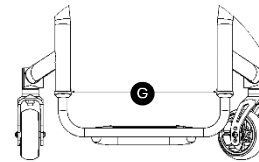
**QUOTE THIS CHAIR**

If you are using Adobe Acrobat, this order form may be converted into a quote request or into an order by clicking one of the buttons (this feature is available exclusively to Permobil dealers and distributors). A Quote or an Order Confirmation will be sent to you within 24 hours.

**ORDER THIS CHAIR**

## Measurement Guide

- A Seat Width** - Measure from outside of seat tube at back post to the outside of the opposite seat tube at back post.
- B Seat Depth** - Measure from front of back post to the front edge of seat sling. Frame bend will start .5" in front of seat sling unless Custom Frame Depth is specified. Custom Frame Depth is measured from front of seat sling to beginning of frame bend.
- C Front Seat Height** - Measure from floor to top of seat tube at front edge of seat sling.
- D Rear Seat Height** - Measure from floor to top of seat tube at back post.
- E Front Angle** - Measure from frame front to floor.
- F Center of Gravity** - Measure from front of back post at the seat tube to the center of the rear axle.
- G Footrest Width** - Measure from inside of front frame tube to inside of opposite front frame tube.
- H Seat to Footrest** - Measure from front edge of seat sling to top rear of footrest.
- I Seat Back Height** - Measure from top of back post to top of seat tube at rear of frame.
- J Seat Back Angle** - Measure angle from front of back post to floor.
- K Camber** – this will affect overall width of chair.



## Seating and Positioning Shipping Information

The following Seating and Positioning products will ship with the chair. Cushions are stocked with Comfort Tek Cover and backs are stocked with Stretch Air Cover. All other Seating and Positioning products will be drop-shipped from the manufacturer. (Width x Depth)

Curve Cushion	Elements Cushion	Acta Embrace Cushion	M2 Cushion Zero Elevation	ROHO Single High Profile Cushion	ROHO Quadro Cushion
18" x 18"	18" x 18"	18" x 18"	18" x 18"	18" x 18"	18" x 18"
16" x 16"	16" x 18"	16" x 18"	18" x 16"	16" x 18"	16" x 16"
16" x 18"	18" x 16"	16" x 16"	20" x 16"	16" x 16"	20" x 16"
			20" x 20"		20" x 18"
			16" x 16"		

Acta Back	Acta Embrace Back	Acta Relief Back	ROHO Agility Mid Active	ROHO Agility Min Active
18" x 12"	18" x 16"	18" x 16"	18" x 10"	18" x 10"
18" x 16"	16" x 16"	16" x 16"	16" x 10"	16" x 10"
16" x 16"		18" x 12"		
16" x 12"		16" x 12"		