

# TiLite **TWIST** Canadian Order Form

Effective August 1, 2020 (New Items in Red)

ALUMINUM RIGID, GROWABLE FRAME

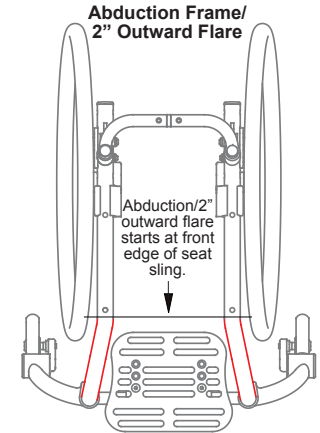
Page 1 of 6

DEALER INFORMATION		RTS INFORMATION	
Dealer:	Account #:	RTS:	Phone:
PO:	Ordered By:	Email:	
Email:		SHIP TO INFORMATION:	
Mark For:	User Weight:	Name:	Ship Via:
TiLite Sales Rep:		Address:	
<b>TiLite Information:</b>	Promo Code:	City:	Province: Postal Code:
Ship Date:	Order #:	Phone:	Fax:

More options and frame modifications may be available through our Creative Mobility Division! Please contact customer service for details or [click here](#) to view options.  
**Please Email or Fax to the TiLite Customer Service Team at [tilitesales@permobil.com](mailto:tilitesales@permobil.com) or 800.736.0925, option 2.**

## FRAME STYLE

- TWFS2  **TiLite Twist** (Full Adjustability. Seat Width **A** Grows 2" and Seat Depth **B** Grows 3". 165 (74.84kg) Pound Weight Limit.).....**\$3,605**  
 TWFSW7  Abduction Frame with 2" Outward Flare (Requires a No Taper Footrest.).....**\$165**



## TRANSIT TIE-DOWN OPTION

- (Please refer to the Twist Transit Tie-Down Option Brochure for important information regarding the Transit Tie-Down Options.)  
 TWTDDO  Transit Tie-Down Option (Consists of four Tie-Down Brackets.).....**\$390**

## FRAME FINISHES

- |                             |   |  |
|-----------------------------|---|--|
| <b>High Gloss Paint</b>     | TWFF8 <input type="checkbox"/> Super Wet Black      | TWFF10 <input type="checkbox"/> TiLite Red         |
|                             | TWFF29 <input type="checkbox"/> Neon Pink           |  |
| <b>Metallic Paint</b>       | TWFF14 <input type="checkbox"/> Ocean Blue Metallic | TWFF15 <input type="checkbox"/> Tangerine Metallic |
|                             | TWFF30 <input type="checkbox"/> Acid Green Metallic |  |
| <b>Pearlescent Paint</b>    | TWFF17 <input type="checkbox"/> Midnight Blue Pearl | TWFF18 <input type="checkbox"/> White Pearl        |
| <b>Matte Paint</b>          | TWFF19 <input type="checkbox"/> Black Lava          | TWFF27 <input type="checkbox"/> Titanium Grey      |
| <b>Candy Paint</b>          | TWFF22 <input type="checkbox"/> Ruby Red            | TWFF23 <input type="checkbox"/> Azure Blue         |
|                             | TWFF25 <input type="checkbox"/> Electric Plum.      |  |
| <b>Matte Textured Paint</b> | TWFF40 <input type="checkbox"/> Hyper Blue          | TWFF41 <input type="checkbox"/> Flame Orange       |
|                             | TWFF42 <input type="checkbox"/> OD Green.....       | <b>STD</b>   |

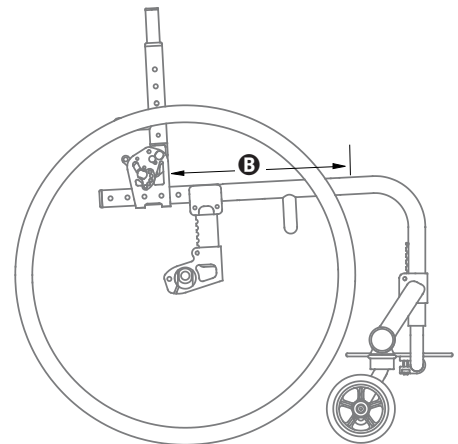
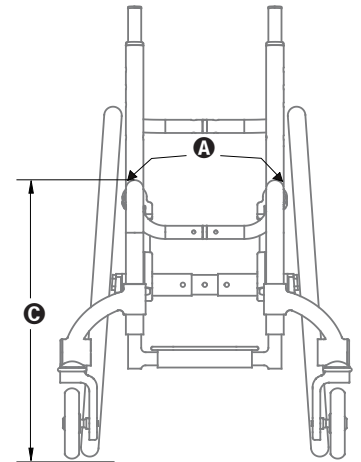
## COLOR ANODIZE PACKAGE

- (Color Anodize Package includes: Camber Mount, Caster Mount, Caster Fork, Caster Cap and Footrest Clamp. If no anodize color is selected, the default will be black.)  
 TWANO1  Black .....**STD**  
 TWANO5  Sapphire TWANO3  Red Pepper TWANO6  Burnt Orange  
 TWANO8  Ultraviolet TWANO9  Fuchsia.....**\$200**

## FRAME MEASUREMENTS

**SEAT WIDTH **A**** Measure from outside of seat tube at back post to the outside of the opposite seat tube at back post. Seat Width grows 2". All upholstery (except cushion) and components (except TiShaft Back Release Bar available at no charge upon request) needed to grow the Twist seat width are included.  
 TWSW5  8"-10" (20.3-25.4cm)  9"-11" (22.9-27.9cm)  10"-12" (25.4-30.5cm)  
 11"-13" (27.9-33cm)  12"-14" (30.5-35.6cm)  13"-15" (33-38.1cm).....**STD**  
 Default will be smallest Seat Width for selected range. Please use "Set at" for Seat Width other than default. Set at \_\_\_\_\_ (Use 1" increments)

**SEAT DEPTH **B**** Measure from front of back post to the front edge of seat sling. Front edge of seat sling will be 1.5" from the beginning of the bend on No Taper and Tapered Frames, and 2" from the beginning of the bend on Abduction Frames. All Upholstery (except cushion) and components needed to grow the Twist seat depth are included. Seat Depth grows 3".  
 TWSD4  8"-11" (20.3-27.9cm)(Requires either 18" or 20" rear wheels.)  9"-12" (22.9-30.5cm)  
 10"-13" (25.5-33cm)  11"-14" (27.9-35.6cm)  12"-15" (30.5-38.1cm)  
 13"-16" (33-40.6cm).....**STD**  
 Default will be shortest Seat Depth for selected range. Please use "Set at" for Seat Depth other than default. Set at \_\_\_\_\_ (Use 1" increments)



permobil.com  
 2701 West Court Street | Pasco, Washington 99301  
 509.586.6117 Tel | 800.545.2266 Toll-Free  
 509.586.2413 Fax | 866.586.2413 Toll-Free Fax

# TiLite **TWIST** Canadian Order Form

Effective August 1, 2020 (New Items in Red)

ALUMINUM RIGID, GROWABLE FRAME

Page 2 of 6

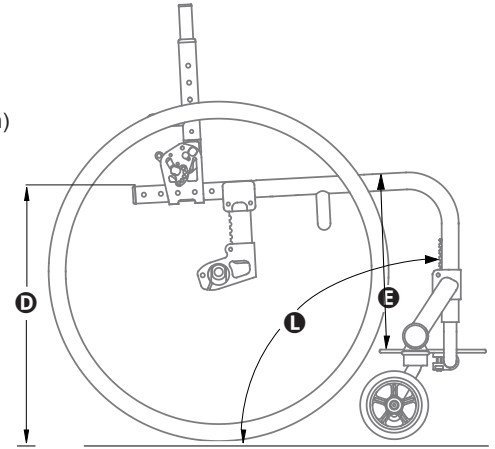
## FRAME MEASUREMENTS

**FRONT SEAT HEIGHT ③** Measure from floor to top of seat tube at front edge of seat sling. Twist adjusts up and down in 1/2" (1cm) increments. (2" Taper available with 12" - 15" or 13" - 16" Seat Depths ③ only. For 2" Taper Footrest width ① add 1.5" to minimum Front Seat Height.)

- TWFSH1  13" (33cm)  13.5" (34.3cm)  14" (35.6cm)  14.5" (36.8cm)  15" (38.1cm)  
 15.5" (39.4cm)  16" (40.6cm)  16.5" (41.9cm)  17" (43.2cm)  
 17.5" (44.5cm)  18" (46cm)  18.5" (47cm)  19" (48cm)  
 19.5" (49.5cm)  20" (51cm).....STD

### FRONT SEAT HEIGHT ③ RANGES

Front Wheel Size	Front Seat Heights for 8"-11" Seat Depth ③	Front Seat Heights for 9"-12" Seat Depth ③	Front Seat Heights for 10"-13" Seat Depth ③	Front Seat Heights for 11"-14" Seat Depth ③	Front Seat Heights for 12"-15" Seat Depth ③	Front Seat Heights for 13"-16" Seat Depth ③
3"	13.0" - 14.5"	13.5" - 15.0"	13.0" - 16.0"	14.0" - 17.0"	14.5" - 17.5"	15.5" - 18.5"
3" Glide™	14.5" - 15.5"	15.0" - 16.5"	14.0" - 17.0"	15.0" - 18.0"	16.0" - 19.0"	16.5" - 19.5"
4"	13.5" - 15.0"	14.0" - 15.5"	13.5" - 16.5"	14.0" - 17.5"	15.0" - 18.0"	16.0" - 18.5"
4" Glide™	14.5" - 16.0"	15.5" - 17.0"	14.5" - 17.5"	15.5" - 18.5"	16.0" - 19.0"	17.0" - 20.0"
5"	N/A	N/A	14.0" - 17.0"	14.5" - 17.5"	15.5" - 18.5"	16.5" - 19.5"
5" Glide™	N/A	N/A	N/A	N/A	N/A	N/A



**REAR SEAT HEIGHT ④** Measure from floor to top of seat tube at Back Post. Twist adjusts up and down in 1/2" increments.

### REAR SEAT HEIGHT RANGES

Rear Wheel Size	Rear Seat Heights ④	TWRSH1	<input type="checkbox"/> 12" (30.5cm)	<input type="checkbox"/> 12.5" (31.8cm)	<input type="checkbox"/> 13" (33cm)	<input type="checkbox"/> 13.5" (34.3cm)
18"	12" - 17" (30.5-43.2cm)					
20"	13" - 17.5" (33-44.5cm)		<input type="checkbox"/> 14" (35.6cm)	<input type="checkbox"/> 14.5" (36.8cm)	<input type="checkbox"/> 15" (38.1cm)	<input type="checkbox"/> 15.5" (39.4cm)
22"	14" - 18.5" (35.6-47cm)		<input type="checkbox"/> 16" (40.6cm)	<input type="checkbox"/> 16.5" (41.9cm)	<input type="checkbox"/> 17" (43.2cm)	<input type="checkbox"/> 17.5" (44.5cm)
24"	15" - 19.5" (38.1-49.5cm)		<input type="checkbox"/> 18" (45.7cm)	<input type="checkbox"/> 18.5" (47cm)	<input type="checkbox"/> 19" (48.3cm)	<input type="checkbox"/> 19.5" (49.5cm).....STD

**FRONT ANGLE ①** Measure from frame front to floor.

- TWFA1  70°  80°  90°.....STD

**SEAT TO FOOTREST ②/FOOTRESTS** Measure from front edge of seat sling to top rear of footrest.

**Standard Footrests** Measurement must be at least 2" (5cm) shorter than Front Seat Height ③.

- 9" (22.9cm)  9.5" (24.1cm)  10" (25.4cm)  10.5" (26.5cm)  11" (27.9cm)  11.5" (29.2cm)  12" (30.5cm)  
 12.5" (31.8cm)  13" (33cm)  13.5" (34.3cm)  14" (35.6cm)  14.5" (36.8cm)  15" (38.1cm)  15.5" (39.4cm)  
 16" (40.6cm)  16.5" (41.9cm)

TWFTTR3  Angle Adjustable Footrest.....STD

TWFTTR24  Flip-Back Depth & Angle Adjustable Footrest (Not available when both 13" - 15" (33-38cm) Seat Width ④

and Abduction Frame with 2" (5cm) Outward Flare are ordered.).....\$215

### High Mount Footrests

- 5" (12.7cm)  5.5" (14cm)  6" (15.2cm)  6.5" (16.5cm)  7" (17.8cm)  7.5" (19.1cm)  8" (20.3cm)  
 8.5" (21.6cm)  9" (22.9cm)  9.5" (24.1cm)  10" (25.4cm)  10.5" (26.7cm)  11" (27.9cm)  11.5" (29.2cm)  
 12" (30.5cm)  12.5" (31.8cm)  13" (33cm)

TWFTTR4  Angle Adjustable High Mount Footrest.....\$145

TWFTTR27  Flip-Back Depth & Angle Adjustable High Mount Footrest (Not available when both 13" - 15" (33-38.1cm) Seat Width ④

and Abduction Frame with 2" Outward Flare are ordered.).....\$310

### SEAT TO FOOTREST ② RANGES

(2" Taper available with 12" - 15" (30.5-38.1cm) or 13" - 16" (33-40.6cm) Seat Depths ③ only. Add

1.5" (3.8cm) to minimum Seat to Footrest ② Ranges with 2" (5.1cm) Taper.)

Seat Depth ③	3" Front Wheel		4" Front Wheel		5" Front Wheel	
	Standard Footrest	High Mount Footrest	Standard Footrest	High Mount Footrest	Standard Footrest	High Mount Footrest
8" - 11" (20.3-27.9cm)	9.0" - 12.0" (22.9-30.5cm)	5.0" - 8.0" (12.7-20.3cm)	9.0" - 12.0" (22.9-30.5cm)	5.0" - 8.0" (12.7-20.3cm)	N/A	N/A
9" - 12" (22.9-30.5cm)	10.0" - 13.0" (25.4-33cm)	6.0" - 9.0" (15.2-22.9cm)	10.0" - 13.0" (25.4-33cm)	6.0" - 9.0" (15.2-22.9cm)	N/A	N/A
10" - 13" (25.4-33cm)	9.0" - 13.5" (22.9-34.3cm)	5.0" - 9.5" (12.7-24.1cm)	9.0" - 13.5" (22.9-34.3cm)	5.0" - 9.5" (12.7-24.1cm)	9.0" - 14.0" (22.9-35.6cm)	5.0" - 10.0" (12.7-25.4cm)
11" - 14" (27.9-35.6cm)	10.0" - 14.5" (25.4-36.8cm)	6.0" - 10.5" (15.2-26.7cm)	10.0" - 14.5" (25.4-36.8cm)	7.0" - 11.5" (17.8-29.2cm)	10.0" - 15.0" (25.4-38.1cm)	6.0" - 11.0" (15.2-27.9cm)
12" - 15" (30.5-38.1cm)	11.0" - 15.0" (27.9-38.1cm)	7.0" - 11.5" (17.8-29.2cm)	11.0" - 15.0" (27.9-38.1cm)	8.0" - 12.5" (20.3-31.8cm)	11.0" - 15.5" (27.9-39.4cm)	7.0" - 12.0" (17.8-30.5cm)
13" - 16" (33-40.6cm)	12.0" - 16.0" (30.5-40.6cm)	8.0" - 12.5" (20.3-31.8cm)	12.0" - 16.0" (30.5-40.6cm)	7.5" - 12.0" (19.1-30.5cm)	12.0" - 16.5" (30.5-41.9cm)	8.0" - 13.0" (20.3-33cm)

**FOOTREST WIDTH ①** Select one of the following options: No Taper or 2" (5.1cm) Taper. Measure from inside of front frame tube to inside of opposite front frame tube.

TWFSW1  No Taper (2" (5.1cm) Narrower than Seat Width ④).....STD

TWFSW4  2" Taper (4" (10.2cm) Narrower than Seat Width ④. Available with 12" - 14" (30.5-35.6cm) or 13" - 15" (33-38.1cm) Seat

Widths ③ only. Add 1.5" (3.8cm) to minimum Seat to Footrest ② Ranges.).....NCO

# TiLite **TWIST** Canadian Order Form

Effective August 1, 2020 (New Items in Red)

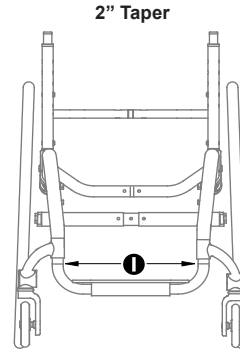
ALUMINUM RIGID, GROWABLE FRAME

Page 3 of 6

## FRAME MEASUREMENTS

### FOOTREST WIDTH **I** (Inside Measurement)

SEAT WIDTH <b>A</b> (Outside Measurement)	No Taper (2" Narrower than Seat Width <b>A</b> )	2" Taper (4" Narrower than Seat Width <b>A</b> )
8" (20.3cm)	6" (15.2cm)	N/A
9" (22.9cm)	7" (17.8cm)	N/A
10" (25.4cm)	8" (20.3cm)	N/A
11" (27.9cm)	9" (22.9cm)	N/A
12" (30.5cm)	10" (25.2cm)	8" (20.3cm)
13" (33cm)	11" (27.9cm)	9" (22.9cm)
14" (35.6cm)	12" (30.5cm)	10" (25.4cm)
15" (38.1cm)	13" (33cm)	11" (27.9cm)



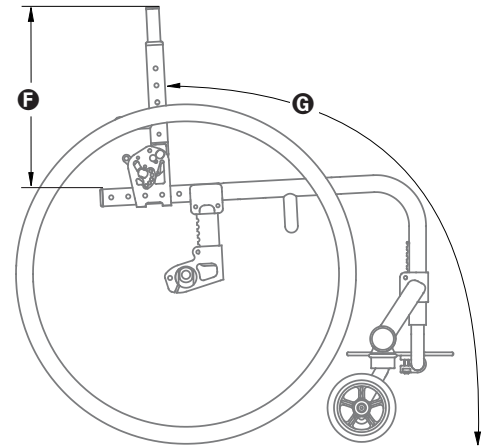
**SEAT BACK TYPE/PUSH HANDLES/SEAT BACK HEIGHT **F**** Measure from top of back post to top of seat tube at rear of frame.

### SEAT BACK TYPE

- TWSB1  Folding Aluminum Adjustable Height with TiShaft Aluminum Back Release Bar.....**STD**  
 TWSB11  Seat Back that Locks when Folded.....**NCO**

### PUSH HANDLES

- TWSB6  Integrated Push Handles.....**NCO**  
 TWSB7  Integrated Fold-Down Push Handles (Requires Tension Adjustable by Straps Back Upholstery).....**\$115**  
 TWSB8  Bolt-On Push Handles (Requires 12"-14" (30.5-35.6cm) or 13"-15" (33-38.1cm) Seat Width **A** range.).....**\$200**  
 TWSB9  Bolt-On Height-Adjustable Push Handles (Requires 12"-14" (30.5-35.6cm) or 13"-15" (33-38.1cm) Seat Width **A** range.).....**\$410**  
 TWSB20 Bolt-On Center Mount Height-Adjustable Push Handle  
 Small 9.25" (23.5cm)  Standard 14.25" (36.2cm)  Tall 19.25" (48.9cm) **\$185**  
 TWSB21  Stroller Handle.....**\$255**



**SEAT BACK HEIGHT **F**** (Short Seat Back Height **F** not available with Flip Back Tubular Armrests. Tall Seat Back Height **F** not available with Seat Widths **A** of 11"-13" (27.9-33cm) or smaller.)

Push Handles (Selected Above)	Short	Medium	Tall	Set at: (Use 1/2" increments)
None / Bolt-On/ Stroller	<input type="checkbox"/> 8.5" - 11.5" (21.6-29.2cm)	<input type="checkbox"/> 12" - 16.5" (30.5-41.9cm)	<input type="checkbox"/> 16.5" - 20.5" (41.9-52.1cm)	Set at: _____
Integrated	<input type="checkbox"/> 10.5" - 12.5" (26.7-31.8cm)	<input type="checkbox"/> 13.5" - 16.5" (34.3-41.9cm)	<input type="checkbox"/> 17.5" - 20.5" (44.5-52.1cm)	Set at: _____
Integrated Fold-Down	<input type="checkbox"/> 13" - 15.5" (33-39.4cm)	<input type="checkbox"/> 14.5" - 19" (36.8-48.3cm)	<input type="checkbox"/> 18.5" - 21" (47-53cm)	Set at: _____

### AVAILABLE ON ALL BACKS

- TWSB22  Height Adjustable Backrest Rigidizer Bar.....**\$155**

**SEAT BACK ANGLE **G**** Measure angle from front of back post to floor. 90° will be perpendicular to the floor. To approximate the angle from the back post to the seat, subtract 2 degrees from measurement **G** for every 1/2" (1cm) of dump.

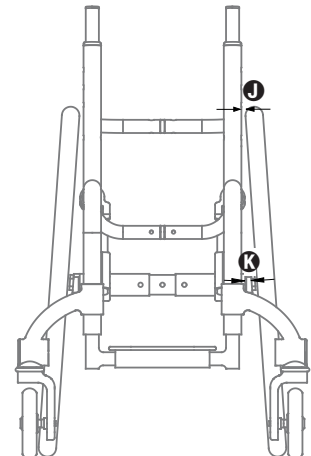
- TWSBA1  80°  83°  86°  89°  92°  95°  98°  101°.....**NCO**

**REAR WHEEL SPACING **J**** Measure from outside of seat back post to inside of rear tire. 3/4" Rear Wheel Spacing not available with 0° or 2° Camber **K**. Not all rear wheel spacing is available with all accessories.

- TWRWS1  .75" (1.9cm)  1" (2.5cm)  1.25" (3.2cm)  1.5" (3.8cm)  
 1.75" (4.4cm)  2" (5.1cm).....**STD**  
 TWCBR12  Adjustable Rear Wheel Spacing Camber Plugs.....**STD**  
 TWCBR9  Additional Spacers to Increase Rear Wheel Spacing.....**NCO**

### CAMBER **K**/CAMBER TUBES

- TWCBR12  0°  2°  4°  6°  8°  12°.....**STD**  
 TWCBR15  Aluminum Camber Tube.....**STD**



# TiLite **TWIST** Canadian Order Form

Effective August 1, 2020 (New Items in Red)

ALUMINUM RIGID, GROWABLE FRAME

Page 4 of 6

## CUSTOM CONFIGURATION OPTIONS

### FRONT WHEELS (See Front Seat Height Ranges Chart on Page 2 for Front Seat Height Ⓢ limitations.)

TWFW24 <input type="checkbox"/> 3"x1.5" LiteSpeed Billet Aluminum Wheel w/Soft Roll Tire <input type="checkbox"/> Silver Hub <b>OR</b> <input type="checkbox"/> Black Hub.....	\$180
TWFW14 <input type="checkbox"/> 4"x.75" Plastic Wheel w/Poly Tire (Not available with Slipstream Fork or Glide™ Single-Sided Fork.).....	NCO
TWFW3 <input type="checkbox"/> 4"x.75" Light-Up Micro-Caster (Not available with Slipstream Fork or Glide™ Single-Sided Fork.).....	\$80
TWFW25 <input type="checkbox"/> 4"x.75" LiteSpeed Billet Aluminum Wheel w/Poly Tire <input type="checkbox"/> Silver Hub <b>OR</b> <input type="checkbox"/> Black Hub.....	\$150
TWFW26 <input type="checkbox"/> 4"x1.5" LiteSpeed Plastic Wheel w/Soft Roll Tire.....	\$95
TWFW27 <input type="checkbox"/> 4"x1.5" LiteSpeed Billet Aluminum Wheel w/Soft Roll Tire <input type="checkbox"/> Silver Hub <b>OR</b> <input type="checkbox"/> Black Hub.....	\$190
TWFW6 <input type="checkbox"/> 5"x1" Plastic Wheel w/Poly Tire (Not available with 90° Front Angle Ⓛ, Slipstream Fork or Glide™ Single-Sided Fork.).....	NCO
TWFW28 <input type="checkbox"/> 5"x1.5" LiteSpeed Plastic Wheel w/Soft Roll Tire (Not available with 90° Front Angle Ⓛ.).....	\$95
TWFW29 <input type="checkbox"/> 5"x.75" LiteSpeed Billet Aluminum Wheel w/Poly Tire <input type="checkbox"/> Silver Hub <b>OR</b> <input type="checkbox"/> Black Hub (Not available with 90° Front Angle Ⓛ.).....	\$170
TWFW30 <input type="checkbox"/> 5"x1.5" LiteSpeed Billet Aluminum Wheel w/Soft Roll Tire <input type="checkbox"/> Silver Hub <b>OR</b> <input type="checkbox"/> Black Hub (Not available with 90° Front Angle Ⓛ.).....	\$250

### PRECISION LOCK FRONT FORKS

TWFK1 <input type="checkbox"/> TiLite Standard Fork.....	STD
TWFK2 <input type="checkbox"/> TiLite Slipstream Single-Sided Fork.....	\$185
TWGL1 <input type="checkbox"/> Out-Front Glide™ Suspension Fork (Black anodize only. Requires 14.5" minimum Front Seat Height Ⓢ.).....	\$545
Rider's Weight: <input type="checkbox"/> 125 lbs. (56.69kg) <input type="checkbox"/> 125-180 lbs. (56.69-81.6kg)	
TWGL2 <input type="checkbox"/> Out-Front Glide™ Single-Sided Suspension Fork (Black anodize only. Requires 14.5" minimum Front Seat Height Ⓢ.).....	\$680
Rider's Weight: <input type="checkbox"/> 125 lbs. (56.69kg) <input type="checkbox"/> 125-180 lbs. (56.69-81.6kg)	
TWTS1 <input type="checkbox"/> Titanium Fork Stem.....	\$60

### REAR WHEELS (See Rear Seat Height Ranges Chart on Page 2 for Rear Seat Height Ⓢ limitations.)

TWRW14 TiLite SHADOW™.....	STD
<input type="checkbox"/> 18"(400)	
<input type="checkbox"/> 20"(451)	
<input type="checkbox"/> 22"(501)	
<input type="checkbox"/> 24"(540)	
TWRW7 Spinergy SPOX <input type="checkbox"/> Black <input type="checkbox"/> Red <input type="checkbox"/> Yellow <input type="checkbox"/> Blue <input type="checkbox"/> White .....	\$900
<input type="checkbox"/> 22"(501) - Std. Hub	
<input type="checkbox"/> 24"(540) - Std. Hub	
TWRW8 Spinergy LX <input type="checkbox"/> Black <input type="checkbox"/> Red <input type="checkbox"/> Yellow <input type="checkbox"/> Blue <input type="checkbox"/> White <input type="checkbox"/> Go Green <input type="checkbox"/> Bright Orange <input type="checkbox"/> Flamingo Pink.....	\$1,055
<input type="checkbox"/> 22"(501) - Std. Hub	
<input type="checkbox"/> 24"(540) - Std. Hub	
TWRW16 Spinergy Carbon Blade.....	\$1,540
<input type="checkbox"/> 24"(540)	
TWRW17 X-Core Mag (Not available with Short Tabs, Quad Release Axles, Spoke Guards or Omit Handrims Option. Requires Aluminum Sliver Anodized Handrims.).....	\$110
<input type="checkbox"/> 20"(451)	
<input type="checkbox"/> 22"(501)	
<input type="checkbox"/> 24"(540)	

### AXLES

TWAXL1 <input type="checkbox"/> Stainless Quick Release.....	STD
TWAXL2 <input type="checkbox"/> Titanium Quick Release.....	\$290
TWAXL3 <input type="checkbox"/> Quad Release (Not available with Mag Rear Wheels.).....	\$170

### PNEUMATIC REAR TIRES

TWRTR1 <input type="checkbox"/> Treaded.....	STD
TWRTR2 <input type="checkbox"/> Airless Inserts (Not available with 18" Rear Wheels.).....	\$90
TWRTR4 <input type="checkbox"/> Primo Slick (Not available with 18" Rear Wheels.).....	NCO
TWRTR30 <input type="checkbox"/> 24"(540) Primo Sentinel .....	\$160
TWRTR8 <input type="checkbox"/> 24"(540) Schwalbe® Marathon Plus Evolution.....	\$155
TWRTR9 <input type="checkbox"/> 24"(540) Schwalbe® Slick.....	\$150
TWRTR24 <input type="checkbox"/> 24"(540) Kenda Kobra Knobby.....	\$85

### SOLID REAR TIRES

TWRTR22 <input type="checkbox"/> 18"(400), 20"(451), 22"(501) and 24"(540) Primo Express (Not available with Spinergy Carbon Blade Rear Wheels.).....	\$110
TWRTR23 <input type="checkbox"/> 24"(540) Primo Active.....	\$135

### HANDRIMS

#### Handrims by OUT-FRONT®

TWRIM1 <input type="checkbox"/> Aluminum – Silver Anodized.....	STD
TWRIM21 <input type="checkbox"/> Aluminum – Black Anodized (Not available with 18" (400), or 20" (451) Rear Wheels.).....	\$60
TWRIM12 <input type="checkbox"/> Titanium – Satin Finish (Not available with 18" (450), 20"(451) or 22"(501) Rear Wheels, or 24"(540) Knobby tires.).....	\$490
The Natural-Fit® (Original, Larger Profile) (Not available with 18"(400) or 20"(451) Rear Wheels.)	
TWRIM14 <input type="checkbox"/> Standard Grip (Not available with Short Tabs or Spinergy Carbon Blade Rear Wheels.).....	\$415
TWRIM15 <input type="checkbox"/> Super Grip (Not available with Short Tabs or Spinergy Carbon Blade Rear Wheels.).....	\$470
TWRIM 16 <input type="checkbox"/> Without Thumb Grip.....	\$380



# TiLite **TWIST** Canadian Order Form

Effective August 1, 2020 (New Items in Red)

ALUMINUM RIGID, GROWABLE FRAME

Page 5 of 6

## CUSTOM CONFIGURATION OPTIONS

The Natural-Fit® LT (Reduced Weight, Smaller Profile) (Not available with 18"(400) or 20"(451) Rear Wheels.)

TWRIM17 <input type="checkbox"/> Standard Grip (Not available with Short Tabs or Spinergy Carbon Blade Rear Wheels.)	\$500
TWRIM18 <input type="checkbox"/> Super Grip (Not available with Short Tabs or Spinergy Carbon Blade Rear Wheels.)	\$535
TWRIM19 <input type="checkbox"/> Without Thumb Grip	\$460
TWRIM10 <input type="checkbox"/> The Surge (All-In-One Oval with Gription™ Strip, Larger Profile) (Not available with 18"(400) or 20"(451) Rear Wheels.)	\$435
TWRIM11 <input type="checkbox"/> The Surge LT (All-In-One Oval with Gription™ Strip, Smaller Profile) (Not available with 18"(400) or 20"(451) Rear Wheels.)	\$470
TWRIM20 <input type="checkbox"/> Q-Grip (Exclusive High-Friction, Anti-Slip Coating) (Not available with 18"(400), 20"(451) Rear Wheels.)	\$375

### Additional Handrim Options

TWRIM5 <input type="checkbox"/> Plastic Coated – Black (Not available with 18" (400) Rear Wheels.)	\$160
TWRIM6 <input type="checkbox"/> Projections - 8 Vertical Projections (Not available with 18" (400) 20" (451), 22"(501) Carbon Blade Rear Wheels.)	\$395
TWRIM22 <input type="checkbox"/> Omit Handrims	NCO

### Tab Length

TWRIM7 <input type="checkbox"/> Long Tabs	STD
TWRIM8 <input type="checkbox"/> Short Tabs (Not available with Mag Rear Wheels or The Natural-Fit® Handrims with Thumb Grip.)	\$35

## WHEEL LOCKS

### Wheel Locks by OUT-FRONT®

TWWLK7 <input type="checkbox"/> Compact Composite Push to Lock (Available with .75" to 1.5" (1.9 to 3.8cm) Rear Wheel Spacing ① only.)	NCO
TWWLK8 <input type="checkbox"/> Compact Composite Pull to Lock (Available with .75" to 1.5" (1.9 to 3.8cm) Rear Wheel Spacing ① only.)	NCO
TWWLK10 <input type="checkbox"/> Extension Handles for Composite Push/Pull to Lock	\$85
TWWLK9 <input type="checkbox"/> Composite Scissor Lock	\$175

### Additional Wheel Locks

TWWLK3 Uni-Lock Set At: <input type="checkbox"/> Push <b>OR</b> <input type="checkbox"/> Pull	\$165
TWWLK4 <input type="checkbox"/> Extension Handles for Uni-Lock	\$85

## BACK UPHOLSTERY

TWBUP2 <input type="checkbox"/> Velcro Adjustable (Not available with Fold-Down Push Handles.)	STD
Tension Adjustable by Straps (Required with Fold-Down Push Handles.)	
TWBUP3 <input type="checkbox"/> Padded Nylon	\$415
TWBUP5 <input type="checkbox"/> AIR Breathable Upholstery (Not available with Ultrasuede or NiteLite Backrest Stripe.)	\$400
TWUPC3 Ultrasuede Backrest Stripe <input type="checkbox"/> Black <input type="checkbox"/> Sapphire <input type="checkbox"/> Red Pepper <input type="checkbox"/> Burnt Orange	
<input type="checkbox"/> Ultraviolet <input type="checkbox"/> NiteLite Reflective (Not available with AIR Breathable Back Upholstery.)	\$105
TWBUP0 <input type="checkbox"/> Omit Back Upholstery	NCO

## SEAT UPHOLSTERY

TWSUP1 <input type="checkbox"/> Tension Adjustable Bolt On (Black only.)	STD
TWSUP0 <input type="checkbox"/> Omit Seat Upholstery	NCO

## SEAT CUSHION (Want more seating options? [Click here](#) to view the new TiLite Seating Order Form.)

TWCSH2 <input type="checkbox"/> Comfort Curve Cushion (Stretch-Air cover)	\$155
TWCSH23 <input type="checkbox"/> Comfort Acta-Embrace™ Comfort-Tek Zero Elevation Cushion (Comfort-Tek cover)	\$470
TWCSH11 <input type="checkbox"/> ROHO Single Compartment Low Profile Cushion	\$720

## SIDE GUARDS

TWSDG1 <input type="checkbox"/> Cloth	\$120
---------------------------------------	-------

### Aluminum

TWSDG2 <input type="checkbox"/> Rigid Removable <input type="checkbox"/> Xtra Small <b>OR</b> <input type="checkbox"/> Small <b>OR</b> <input type="checkbox"/> Std	\$290
TWSDG3 <input type="checkbox"/> Quad Removable w/Hole <input type="checkbox"/> Small <b>OR</b> <input type="checkbox"/> Std	\$315

### Carbon Fiber

TWSDG7 <input type="checkbox"/> Rigid Removable <input type="checkbox"/> Small <b>OR</b> <input type="checkbox"/> Std	\$340
TWSDG8 <input type="checkbox"/> Quad Removable w/Hole <input type="checkbox"/> Small <b>OR</b> <input type="checkbox"/> Std	\$375
TWSDG12 <input type="checkbox"/> Fendered Removable	\$510

### Available on Aluminum and Carbon Fiber Non-Fendered Side Guards

TWSDG13 <input type="checkbox"/> Side Guards Custom Cut to Profile of Rear Wheels (Not available with Cloth.)	\$315
---	-------

## ARMRESTS (Desk Arms come with built-in Side Guards.)

TWARM1 <input type="checkbox"/> Swing Away Tubular	\$260
TWARM4 <input type="checkbox"/> Flip Back Tubular (Not available with Short Seat Back Height ② or Velcro Adjustable Seat Back.)	\$315
TWARM2 <input type="checkbox"/> Removable Height Adjustable Pediatric Desk Arm with Rigid Side Guard (Requires 10" (25.4cm) minimum Seat Depth ③.)	\$360
<input type="checkbox"/> Standard Length Pad (10" (25.4cm))	

### Available Armrest Option

TWARM5 <input type="checkbox"/> Covered in Black Ultrasuede (Not available with Desk Arms)	\$115
--	-------

## SEAT BELTS

TWBLT1 <input type="checkbox"/> Velcro Adjustable, Black Nylon Webbing	\$55
TWBLT8 <input type="checkbox"/> Q'Straint® WC-19 Wheelchair-Anchored Pelvic Belt (Recommended for use with Transit Tie Down.)	\$268 E0978
TWBLT2 <input type="checkbox"/> Bodypoint® 2" (5.1cm) Push-Button Buckle (Auto-Style.)	\$95
TWBLT4 <input type="checkbox"/> Bodypoint® 1" (2.5cm) Wide Push-Button Buckle Padded (Auto-Style.)	\$170

# TiLite **TWIST** Canadian Order Form

Effective August 1, 2020 (New Items in Red)

ALUMINUM RIGID, GROWABLE FRAME

Page 6 of 6

## CUSTOM CONFIGURATION OPTIONS

TWBLT5 <input type="checkbox"/> Bodypoint® 1.5" (3.8cm) Wide Push-Button Buckle Padded (Auto-Style.).....	\$170
TWBLT10 <input type="checkbox"/> Bodypoint® Optional Band Clamp Mounting Hardware .....	\$20
TWBLT15 <input type="checkbox"/> Bodypoint® PivotFit dynamic harness.....	\$270

### CALF STRAP

TWCLF2 Velcro Adjustable .....	\$45
<input type="checkbox"/> Xtra Small (Recommended for 6" - 9" (15.2cm-22.9cm) Footrest Widths)	
<input type="checkbox"/> Small (Recommended for 9" - 12" (22.9-30.5cm) Footrest Widths)	
<input type="checkbox"/> Medium (Recommended for 11" - 15" (27.9-38.1cm) Footrest Widths)	
TWCLF3 Bodypoint® Padded Velcro Adjustable .....	\$80
<input type="checkbox"/> Small (Recommended for 8" - 11" (20.3-27.9cm) Footrest Widths)	
<input type="checkbox"/> Medium (Recommended for 12" - 15" (30.5-38.1cm) Footrest Widths)	
TWCLF1 <input type="checkbox"/> Buckle Adjustable, Black Nylon Webbing.....	\$30
TWCLF15 <input type="checkbox"/> Bodypoint® Ankle Huggers..... <input type="checkbox"/> Xtra Small <b>OR</b> <input type="checkbox"/> Small.....	\$290

### BACK PACK

TWBCK3 <input type="checkbox"/> Black Permobil Backpack.....	\$95
--	------

### SEAT POUCH

TWPCH3 <input type="checkbox"/> Black Permobil Seat Pouch.....	\$60
--	------

### SPOKE GUARDS

TWGRD1 <input type="checkbox"/> Clear with TiLite Logo (Not available with Mag Rear Wheels or 18" Rear Wheels.) .....	\$135
---	-------

### ANTI-TIPS

TWTIP1 <input type="checkbox"/> Black Aluminum (Seat Widths <b>A</b> of 8" to 10" (20.3 to 25.4cm), 9" to 11" (22.9 to 27.9cm) or 10" to 12" (25.4 to 30.5cm) will ship with the Center Mount Single Non-Swivel Caster (TWTIP6) at no additional cost when Black Aluminum (TWTIP1) is selected.).....	\$195
TWTIP7 <input type="checkbox"/> Black Aluminum Single.....	\$70
Mount on <input type="checkbox"/> Left Side or <input type="checkbox"/> Right Side .....	NCO
TWTIP2 <input type="checkbox"/> User Friendly Flip-up (Requires 12" to 14" (30.5-35.6cm) or 13" to 15" (33-38.1cm) Seat Widths <b>A</b> range.).....	\$360
TWTIP8 <input type="checkbox"/> User Friendly Flip-up Single (Requires 12" to 14" (30.5-35.6cm) or 13" to 15" (33-38.1cm) Seat Widths <b>A</b> range.).....	\$255
Mount on <input type="checkbox"/> Left Side or <input type="checkbox"/> Right Side .....	NCO
TWTIP5 <input type="checkbox"/> Center Mount Swivel Caster Anti-Tip.....	\$255
TWTIP6 <input type="checkbox"/> Center Mount Non-Swivel Caster Anti-Tip.....	\$255

### ACCESSORIES

TWUEST1 Upper Extremity Support Tray <input type="checkbox"/> 12" to 14" (30.5cm-35.6cm) <b>OR</b> <input type="checkbox"/> 13" to 15" Seat Widths (33cm-38.1cm) <b>A</b> (Requires Armrests.).....	\$290
TWGS1 <input type="checkbox"/> GRIP Solutions Lap Board.....	\$55
TWMPCT2 Neoprene Impact Guards with Ultrasuede Stripe <input type="checkbox"/> Black <input type="checkbox"/> Sapphire <input type="checkbox"/> Red Pepper <input type="checkbox"/> Burnt Orange <input type="checkbox"/> Ultraviolet <input type="checkbox"/> TiLite NiteLite Reflective.....	\$105
TWCH1 <input type="checkbox"/> Crutch Holder.....	\$145
TWKBH1 TWIST Baseball Hat <input type="checkbox"/> Dark Blue with Sapphire Stitching <input type="checkbox"/> Pink with Hot Pink Stitching.....	NCO

## GENERAL

Permobil manufactures TiLite manual wheelchairs in a wide variety of configurations to meet the varied needs of wheelchair users. The final selection of a particular model, its options and accessories, and its measurements rests solely with the wheelchair user and advising healthcare professional. These wheelchairs must be fitted by a qualified healthcare professional. HCPCS Codes are for reference purposes only. Actual coding and coverage varies by payer. Proper HCPCS coding is not a guarantee of payment. Please verify the appropriate payer's coverage policy.

Trademarks are identified by symbols™ and ®. TiLite, TiFit, the TiLite logo, Ti, the Ti logo, The Titanium Experts, and TiShaft are registered trademarks of TiSport, LLC and are licensed to Permobil. Permobil® is a registered trademarks of Permobil. Adobe®, Acrobat®, Acrobat Professional® and Reader® are registered trademarks of Adobe Systems Inc. Bodypoint® is a registered trademark of Bodypoint Inc. Kenda® is a registered trademark of Kenda Rubber Industrial Co. Ltd. Ride Designs® and Corbac® are registered trademarks of Aspen Seating, LLC. ROHO®, Low Profile® and Quadro Select® are registered trademarks of ROHO Inc. Schwalbe® is a registered trademark of Ralf Bohle GmbH. Supracor®, Stimulite® and Corbee® are registered trademarks of Supracor, Inc. The Natural-Fit® and Out-Front® are registered trademarks of Three Rivers Holdings, LLC. Variilite® is a registered trademark of Cascade Designs, Inc.

## NOTES

---



---



---



---

## QUOTE THIS CHAIR

If you are using Adobe Acrobat, this order form may be converted into a quote request or into an order by clicking one of the buttons (this feature is available exclusively to Permobil dealers and distributors). A Quote or an Order Confirmation will be sent to you within 24 hours.

## ORDER THIS CHAIR