

# TiLite TR TRA Order Form

Effective Jan 1, 2022 (New Items in Red)

DUAL-TUBE RIGID FRAME

Page 1 of 8

DEALER INFORMATION		RTS INFORMATION		
Dealer:	Account #:	RTS:	Phone:	
PO:	Ordered By:	Email:		
Email:		SHIP TO INFORMATION		
Mark For:	User Weight:	Name:	Ship Via:	
TiLite Sales Rep:		Address:		
TiLite Information:	Promo Code:	City:	State:	Zip:
Ship Date:	Order #:	Phone:	Fax:	

More options and frame modifications may be available through our Creative Mobility Division! Please contact customer service for details or [click here](#) to view options.

Please Email or Fax to the Permobil Manual Customer Service Team at [tilitesales@permobil.com](mailto:tilitesales@permobil.com) or 866.586.2413 / 509.586.2413

## FRAME STYLE

- TAFS1  **TRA Titanium Frame** (Full Adjustability. 265 Pound Weight Limit. For Rear Seat Width A and Seat Depth B of 15" or greater, use K0005. For Rear Seat Width A and Seat Depth B of less than 15", use E1235.).....\$4519 K0005, E1235
- TRFS1  **TR Titanium Frame Ultimate TiFIT** (Minimal Adjustability. 265 Pound Weight Limit. For Rear Seat Width A and Seat Depth B of 15" or greater, use K0005. For Rear Seat Width A and Seat Depth B of less than 15", use E1235.).....\$260

## SMARTDRIVE POWER ASSIST SYSTEM



- ZMAXSD1  **Permobil Smart Drive MX2+** (SwitchControl comes standard. N/A with rear seat heights less than 13.5", or 20" rear wheels)....\$7417 E0986
- ZMAXSD6  **NEW PushTracker E2 OR ZMAXSD7**  PushTracker **OR**  **No PushTracker required**.....**NCO**
- ZMAXSD8  SwitchControl with Mono Jack Option.....\$156
- ZMAXSD4  Carrying Bag.....\$82
- ZMAXSD5  **NEW Universal padded handle**.....\$21

\*SmartDrive apps available on Watch OS (Apple Watch) starting February 15, 2022.

## FRAME STYLE

- THDR1  **Heavy Duty Frame** (Not Available with TR Titanium Frame. 350 Pound Weight Limit. No charge when 20" Rear Seat Width A and 20" Seat Depth B are selected. Includes Tension Adjustable by Straps Back Upholstery. Requires Folding Aluminum Adjustable Height Backrest, Billet Aluminum Front Wheels, Shadow or Spinergy SPOX Rear Wheels. LX Rear Wheels only available with 0 or 2 degree camber. Not available with Slipstream Fork, Velcro Adjustable Upholstery, Open Loop Footrest, V-Front Taper or Glide™ Forks.).....\$453
- TQST1  **Q'Straint Adaptable Frame** (350 Pound Weight Limit. No charge when 20" Rear Seat Width A and 20" Seat Depth B are selected. Includes Tension Adjustable by Straps Back Upholstery. Requires Folding Aluminum Adjustable Height Backrest, Billet Aluminum Front Wheels, Shadow or Spinergy SPOX Rear Wheels. LX Rear Wheels. only available with 0 or 2 degree camber. Not available with Slipstream Fork, Velcro Adjustable Upholstery, Open Loop Footrest, V-Front Taper or Glide™ Forks.).....\$453
- TPWR1  **Power Adaptable Frame** (No charge when 20" Rear Seat Width A and 20" Seat Depth B are selected. Requires LiteSpeed Billet Aluminum Front Wheels and 0 degree camber. Not available with Single-sided Forks, or Titanium Camber Tubes. Not required for SmartDrive.).....\$354
- TRFR1  **Reinforced Frame** (No charge when 20" Rear Seat Width and 20" Seat Depth or Heavy Duty is selected.).....\$354

## FRAME FINISHES

- TFF1  Satin (Available with Titanium Frame only.).....STD
- SCBT1  Satin Finish Buffing Pads.....\$21
- TFF3  **Tattooed Titanium™** (Tattoos on front frame tubes. Titanium frame finished in Satin. Tattoos will be trimmed and adjusted to fit your frame.).....\$349

- TFF45  Need for Speed
- TFF44  Flower Garden



- TFF43  Mosaic
- 

- |                             |   |   |  |
|-----------------------------|---|---|--|
| <b>High Gloss Paint</b>     | <input type="checkbox"/> <b>TFF8 High Gloss Black</b> | <input type="checkbox"/> TFF10 TiLite Red         | <input type="checkbox"/> TFF29 Neon Pink           |
| <b>Metallic Paint</b>       | <input type="checkbox"/> TFF14 Ocean Blue Metallic    | <input type="checkbox"/> TFF15 Tangerine Metallic | <input type="checkbox"/> TFF30 Acid Green Metallic |
| <b>Pearlescent Paint</b>    | <input type="checkbox"/> TFF17 Midnight Blue Pearl    | <input type="checkbox"/> TFF18 White Pearl        |  |
| <b>Matte Paint</b>          | <input type="checkbox"/> TFF19 Black Lava             | <input type="checkbox"/> TFF27 Titanium Grey      |  |
| <b>Candy Paint</b>          | <input type="checkbox"/> TFF22 Ruby Red               | <input type="checkbox"/> TFF23 Azure Blue         | <input type="checkbox"/> TFF25 Electric Plum       |
| <b>Matte Textured Paint</b> | <input type="checkbox"/> TFF40 Hyper Blue             | <input type="checkbox"/> TFF41 Flame Orange       | <input type="checkbox"/> TFF42 OD Green.....STD    |

## COLOR ANODIZE PACKAGE

(Color Anodize Package includes: Caster Mount, Caster Fork, and Caster Caps. If no anodize color is selected, the default will be black.)

- ZANO1 Black.....STD
- ZAN12 Gold  ZAN15 Green  ZAN13 Purple  ZAN14 Orange  ZAN10 Blue  ZAN11 Red.....\$68



Permobil.com  
2701 West Court Street / Pasco, Washington 99301  
Tel 800 736 0925 or Email [tilitesales@permobil.com](mailto:tilitesales@permobil.com)

# TiLite TR TRA Order Form

Effective Jan 1, 2022 (New Items in Red)

DUAL-TUBE RIGID FRAME

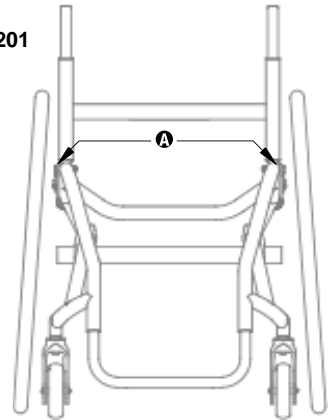
Page 2 of 8

## 3 TiFit: TAILORED INDIVIDUALIZED FRAME

**REAR SEAT WIDTH A** Measure from outside of seat tube at back post to the outside of the opposite seat tube at back post.

- TSW1  12"  13"  14"  15"  16"  17"  18"  19" ..... **STD**  
 ZSW2  20" (HCPCS code only applies to 20" Rear Seat Width ; > 20" size available through CMD)..... **\$515**

E2201



**FRONT SEAT WIDTH (SEAT TAPER) T** Measure from inside of front frame tube to inside of opposite front frame tube. (Required with V-Front End v. Not Available with Standard Front End1.)

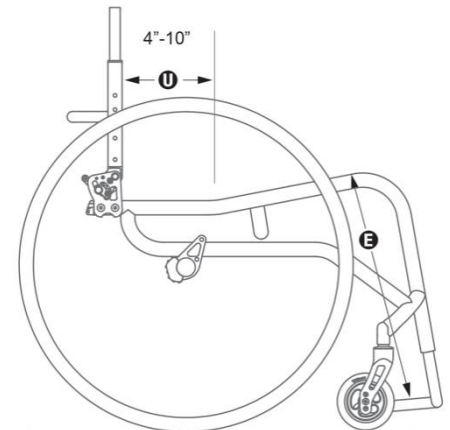
- TFSW1  No Taper ..... **STD**  
 TFSW2  1" Taper (3" Narrower than Rear Seat Width A. Includes Tension Adjustable by Straps Seat Upholstery.) ..... **\$292**  
 TFSW4  2" Taper (4" Narrower than Rear Seat Width A. Includes Tension Adjustable by Straps Seat Upholstery.) ..... **\$292**

**SEAT DEPTH B** Measure from front of back post to the front edge of seat sling. Frame bend will start .5" in front of seat sling unless Custom Frame Depth is specified, or the combination of specifications affect the rolling dynamics of the chair.

- TSD1  12"  13"  14"  15"  16"  17"  18"  19" **STD**  
 TSD2  20" ..... **\$546 E2203**  
 TSD3  Custom Frame Depth: \_\_\_\_\_" Frame Depth Longer or Shorter Than Seat Depth (Measure from front of seat sling to beginning of frame bend. Ranges from 0.5" to 2" and can be given as specific as 1/4" increments. A Custom Frame Depth outside specified range may be available through our Creative Mobility Division. A Custom Frame Depth of 20" will have an additional charge) ..... **NCO**

**ERGONOMIC SEAT U** Measure from front of back post to beginning of upward bend of seat tube.

- TERG1  TR Ergonomic Seat (Not available with Tension Adjustable Bolt On Seat Upholstery)  
 5"  6"  7"  8"  9" ..... **\$354**  
 TERG2  TRA Ergonomic Seat (Not available with V-Front or Seat Taper, Seat Back that Locks When Folded, Desk Arms, Depth Adjustable Backrests, Fold Down Rigid Sideguards, Fendered Adjustable Sideguards, Solid Seat, Tension Adjustable Bolt On Seat Upholstery.)  
 6" (Minimum Seat Depth B 12")  7" (Minimum Seat Depth B 12")  
 8" (Minimum Seat Depth B 13") ..... **\$416**



**FRONT SEAT HEIGHT C** Measure from floor to top of seat tube at front edge of seat sling.

- TFSH1  15"  15.5"  16"  16.5"  17"  17.5"  18"  18.5"  19"  19.5"  
 20"  20.5"  21" ..... **STD**

**REAR SEAT HEIGHT D** Measure from floor to top of seat tube at back post.

Rear Wheel Size	Rear Seat Height
20"	12.5"-20"
22"	13.5"-20"
24"	14.5"-20" (15" on TRA)
25"	15.0"-20"
26"	15.5"-20"

- TRSH1  12.5"  13"  13.5"  14"  14.5"  15"  15.5"  16"  16.5"  
 17"  17.5"  18"  18.5"  19"  19.5"  20" ..... **STD**

**FRONT ANGLE or OVERALL FRAME LENGTH** Select one. If Overall Frame Length is selected, front angle will be bent to achieve requested length.

- TFA1  70°  75°  80°  85° L Measure from frame front to floor. (Not available with 6" Front Wheels.)  90° (Not available with 5" or 6" Front Wheels.) ..... **STD**

- TFA2  Overall Frame Length M \_\_\_\_\_" Measure from front of backrest to Front Edge of Footrest. .... **NCO**

**SEAT TO FOOTREST E** Measure from front edge of seat sling to top rear of footrest.

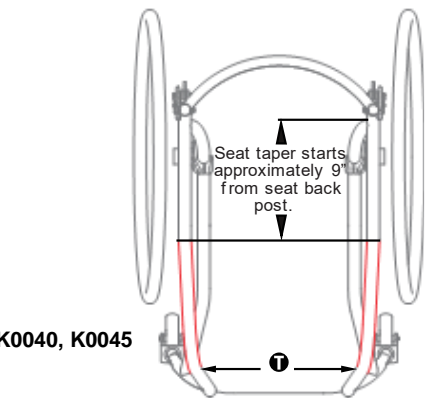
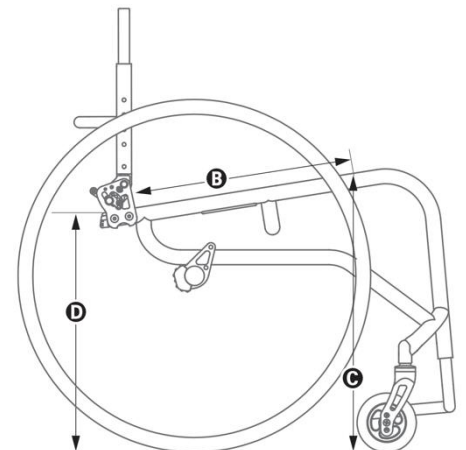
**Standard Footrests** Measurement must be at least 2" shorter than Front Seat Height C.

- 13.5"  14"  14.5"  15"  15.5"  16"  16.5"  17"  17.5"  18"  
 18.5"  19"

- TFTR3  Angle Adjustable Footrest ..... **STD**  
 TFTR1  Titanium Footrest w/Flat ABS Cover ..... **\$208**  
 TFTR2  Titanium Open Loop Footrest ..... **\$266**  
 TFTR12  Flip-Back Footrest (Not available with ABS Cover with 2" Sides.) ..... **\$234**

**High Mount Footrest**

- 7"-9"  9"-11"  11"-13" Set at \_\_\_\_\_ (Use 1/2" increments)



K0040, K0045

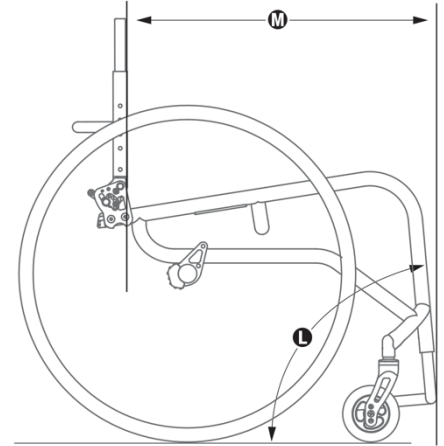
# TiLite TR TRA Order Form

TFTR4  Angle Adjustable High Mount Footrest.....\$104 **K0040**

**FOOTREST WIDTH I** or **V** Select either a Standard Front End I if no Seat Taper T is selected or a V-Front End V if a Seat Taper T is selected.

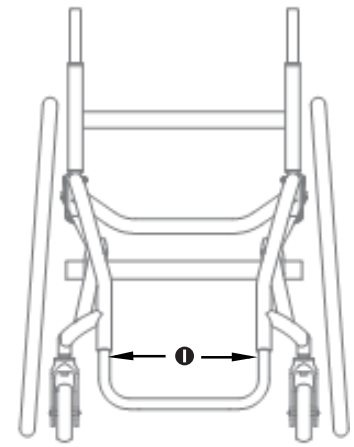
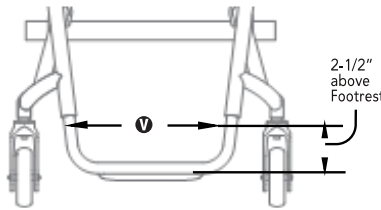
**STANDARD FRONT END I** Find your Rear Seat Width A in the Chart below and select one of the options to the right. Measure from inside of front frame tube to inside of opposite front frame tube.  
TFE1  **NO V-Front Taper**.....**STD**

REAR SEAT WIDTH A (Outside Measurement)	FOOTREST WIDTH I		
	No Taper (2" Narrower than Rear Seat Width)	2" Taper (4" Narrower than Rear Seat Width)	4" Taper (6" Narrower than Rear Seat Width)
12"	<input type="checkbox"/> 10"	<input type="checkbox"/> 8"	
13"	<input type="checkbox"/> 11"	<input type="checkbox"/> 9"	
14"	<input type="checkbox"/> 12"	<input type="checkbox"/> 10"	<input type="checkbox"/> 8"
15"	<input type="checkbox"/> 13"	<input type="checkbox"/> 11"	<input type="checkbox"/> 9"
16"	<input type="checkbox"/> 14"	<input type="checkbox"/> 12"	<input type="checkbox"/> 10"
17"	<input type="checkbox"/> 15"	<input type="checkbox"/> 13"	<input type="checkbox"/> 11"
18"	<input type="checkbox"/> 16"	<input type="checkbox"/> 14"	<input type="checkbox"/> 12"
19"	<input type="checkbox"/> 17"	<input type="checkbox"/> 15"	<input type="checkbox"/> 13"
20"	<input type="checkbox"/> 18"	<input type="checkbox"/> 16"	<input type="checkbox"/> 14"



**V-FRONT END V** Measure from inside of front frame tube to inside of opposite front frame tube 2-1/2" above footrest. (Titanium Footrests have 1" of adjustment up and down. Not available with Ergonomic Seat frames.)

TFE2  V-Front Taper.....\$302  
 9"  10"  11"  12"  13"  14"  15"



**BACK SUPPORTS**

**ROHO® AGILITY® ACTIVE ALUMINUM Contour Back Support**

- Shell Height  8"  10"  
 BRS14  AGILITY Active Aluminum Min Contour with Foam.....\$641 **E2620**  
 BRS15  AGILITY Active Aluminum Mid Contour with Foam.....\$641 **E2620**

**ROHO® AGILITY® ACTIVE CARBON Contour Back Support (New 3k Weave Carbon Fiber)**

- Shell Height  10"  13"  16"  
 AGILITY Carbon Min Contour Back with Foam w/ Air Insert  
 BRS7 Foam w/ Air Insert.....\$695 **E2620**  
 ACB1 AGILITY Active Carbon Upgrade (Not available with Bolt-on Push Handles).....\$350  
 Fixed Hardware.....NCO  
 AGILITY Carbon Mid Contour Back with Foam w/ Air Insert  
 BRS9 Foam w/ Air Insert.....\$707 **E2620**  
 ACB2 AGILITY Active Carbon Upgrade (Not available with Bolt-on Push Handles).....\$338  
 Fixed Hardware.....NCO

**COMFORT ACTA-EMBRACE® Back Support**

- Shell Height  10"  12"  14"  16"  
 SBRS16  Acta-Embrace Back with 2-PT Quick Release Compass Hardware.....\$573 **E2613**  
 CPSB1  Comfort Privacy Shield.....\$39

**COMFORT ACTA-RELIEF Back Support**

- Shell Height  10"  12"  14"  16"  
 SBRS13  Acta-Relief Back with 2-PT Quick Release Compass Hardware.....\$783 **E2615**  
 CPSB1  Comfort Privacy Shield.....\$39

**BACK UPHOLSTERY** (Want more seating options? [Click here](#) to view the new TiLite Seating Order Form.)

- TBUP2  Velcro Adjustable (Not available with Fold-Down Push Handles.).....**STD**  
**Tension Adjustable by Straps** (Required with Fold-Down Push Handles.)  
 TBUP3  Padded Nylon.....\$354 **E2611**  
 TBUP5  AIR Breathable Upholstery (Not available with Ultrasuede Backrest Stripe.).....\$354 **E2611**  
 TUPC3 Ultrasuede Backrest Stripe  Black.....\$110  
 TBUP0  Omit Back Upholstery.....NCO

# TiLite TR TRA Order Form

**TiFit: TAILORED INDIVIDUALIZED FRAME**

**SEAT BACK TYPE/PUSH HANDLES/SEAT BACK HEIGHT F** Measure from top of back post to top of seat tube at rear of frame.

- TSB1  Folding Aluminum Adjustable Height Back (Required for Heavy Duty Frame).....**STD**
- TSB2  Folding Titanium Adjustable Height Back and Rounded Rigidizer Bar (Titanium back will match Frame Finish. Not available with Bolt-On Push Handles.).....**\$266**
- TSB15  Non-Folding, Fixed Height Titanium with New Rounded Rigidizer Bar (Not Available with TRA. Titanium back will match Frame Finish. Not available with Push Handles.).....**\$302**

**TISHAFT™ BACK RELEASE BARS** (Not available with Non-Folding, Fixed Height Titanium Back.)

- TSB3  Aluminum.....**STD**
- TSB5  New 3k Weave Carbon Fiber.....**\$78**

**PUSH HANDLES**

- TSB6  Integrated Push Handles.....**NCO**
- TSB7  Integrated Fold-Down Push Handles (Requires Tension Adjustable by Straps Back Upholstery.).....**\$120**
- TSB8  Bolt-On Push Handles (Includes 4" Deep Backrest Rigidizer Bar. Not available with Ti Back.).....**\$208**
- TSB9  Bolt-On Height-Adjustable Push Handles (Includes 4" Deep Backrest Rigidizer Bar. Not available with Ti Back.).....**\$349**

**FOLDING SEAT BACK HEIGHT F (TSB1 and TSB2)**

Push Handles (Selected Above)	Short	Medium	Tall	Set at: (Use 1/2" increments)
None/ Bolt-On	<input type="checkbox"/> 9.5"-12.5"	<input type="checkbox"/> 13"-17.5"	<input type="checkbox"/> 17"-21.5"	Set at: _____
Integrated	<input type="checkbox"/> 11.5"-13.5"	<input type="checkbox"/> 14.5"-17.5"	<input type="checkbox"/> 18.5"-21.5"	Set at: _____
Integrated Fold-Down	<input type="checkbox"/> 14"-16.5"	<input type="checkbox"/> 15"-19.5"	<input type="checkbox"/> 19.5"-22"	Set at: _____

**NON-FOLDING, FIXED-HEIGHT F TITANIUM SEAT BACK** with New Rounded Rigidizer Bar (TSB15) (Titanium back will match Frame Finish. Required for fixed Side Guards. Not available with Swing Away Tubular or Swing Away - Flip Back Tubular Armrests and Integrated Push Handles, Integrated Fold-Down Push Handles or Bolt-On Height Adjustable Push Handles.)

- 5"  5.5"  6"  6.5"  7"  7.5"  8"  8.5"  9"  9.5"  10"  10.5"  11"  11.5"  12"  12.5"  13"
- 13.5"  14"  14.5"  15"  15.5"  16"  16.5"  17"  17.5"  18"  18.5"  19"  19.5"  20"

**AVAILABLE ON ALL BACKS**

- TSB11  Backrest that Locks when Folded (Not available with Ergonomic Seat.).....**STD**
- TSB12  4" Deep Backrest Rigidizer Bar (Not available with a Non-Folding, Fixed Height Titanium Seat Back Type. 4" Deep Rigidizer Bar is NOT a rounded style rigidizer bar.).....**NCO**

**SEAT BACK ANGLE G** Measure angle from front of back post to floor.

- TSBA1 **Folding Back**  
 80°  83°  86°  89°  92°  95°  98°  101°.....**STD**
- TSBA1 **Non-Folding Back**  
 80°  81°  82°  83°  84°  85°  86°  87°  88°  89°  90°  
 91°  92°  93°  94°  95°  96°  97°  98°  99°  100°  101°.....**NCO**

**CENTER OF GRAVITY H** Measure from front of back post at the seat tube to the center of the rear axle. If no center of gravity is selected, chair will ship with the center of gravity in the rearward-most position.

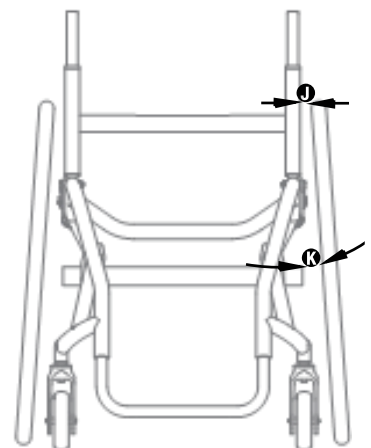
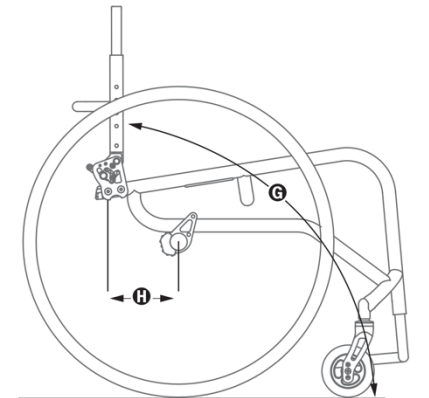
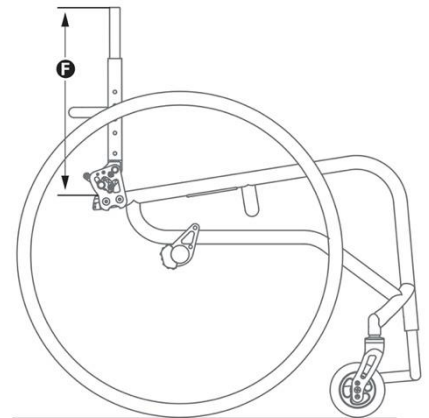
- TCOG1  1"  1.25"  1.5"  1.75"  2"  2.25"  2.5"  2.75"  3"  3.25"  
 3.5"  3.75"  4"  4.25"  4.5"  4.75"  5".....**STD**

**REAR WHEEL SPACING J/PLUGS** Measure from outside of seat back post to inside of rear tire. TRA 0.75" Rear Wheel Spacing not available with 0° or 2° Camber K. Ergonomic Seat selection may limit available center of gravity.

- TRWS1  .75"  1"  1.25".....**STD**
- TCBR12  Adjustable Rear Wheel Spacing Camber Plugs.....**STD**
- TCBR9  Additional Spacers to Increase Rear Wheel Spacing.....**NCO**
- TCBR11  Zero Play Aluminum Camber Plugs (Not available with Power Adaptable Frame or more than 6° of Camber K.).....**NCO**

**SEAT UPHOLSTERY**

- ZSUP1  Tension Adjustable Bolt On (Not available with Ergonomic Seat or Tapered Seat T. Black only.).....**STD**
- ZSUP2  Tension Adjustable by Straps (Standard with Ergonomic Seat and Front Seat Width (Seat Taper) T of 1", 2" or 3". Black upholstery only.).....**\$193**
- ZSUP8  Aluminum Solid Seat (Not available with 10" or 11" Rear Seat Width A, Ergonomic Seat U requires CMD 016).....**\$297**
- ZSUP0  Omit Seat.....**NCO**



# TiLite TR TRA Order Form

Effective Jan 1, 2022 (New Items in Red)

DUAL-TUBE RIGID FRAME

Page 5 of 8

## SEAT CUSHION *(Want more seating options? [Click here](#) to view the new TiLite Seating Order Form.)*

ZCSH2	<input type="checkbox"/> Comfort Curve Cushion <i>(Stretch-Air cover)</i> .....	<b>\$105</b>	<b>E2601</b>
ZCSH23	<input type="checkbox"/> Comfort Acta-Embrace™ Comfort-Tek Zero Elevation Cushion.....	<b>\$382</b>	<b>E2607</b>
ZCSH11	<input type="checkbox"/> ROHO® Single Compartment <i>(Fits seat widths 14" to 19")</i> Profile: <input type="checkbox"/> Low <input type="checkbox"/> Mid <input type="checkbox"/> High.....	<b>\$506</b>	<b>E2622</b>
XCSH14	<input type="checkbox"/> ROHO® QUADTRO SELECT® Cushion <i>(Fits seat widths 14" to 19")</i> Profile: <input type="checkbox"/> Low <input type="checkbox"/> Mid <input type="checkbox"/> High.....	<b>\$506</b>	<b>E2624</b>
ZCSH16	<input type="checkbox"/> ROHO® Hybrid Select <i>(Fits seat widths 14" to 18", and 20")</i> .....	<b>\$541</b>	<b>E2624</b>
ZCSH17	<input type="checkbox"/> Vicair Vector 02 with Comfair Cover <i>(Fits seat widths A 14" to 19". Non-stock upcharges may apply.)</i> .....	<b>\$516</b>	<b>E2624</b>

## CAMBER K/CAMBER TUBES

TCBR1	<input type="checkbox"/> 0° <input type="checkbox"/> 2° <input type="checkbox"/> 4° <input type="checkbox"/> 6° <i>(8° of Camber K may be available through our Creative Mobility Division.)</i> .....	<b>STD</b>
TCBR15	<input type="checkbox"/> Aluminum Camber Tube.....	<b>STD</b>
TCBR3	<input type="checkbox"/> Titanium Camber Tube <i>(Not available with Power Adaptable Frame.)</i> .....	<b>\$208</b>

## CUSTOM CONFIGURATION OPTIONS

### FRONT WHEELS

TFW24	<input type="checkbox"/> 3"x1.5" LiteSpeed Billet Aluminum Wheel w/Soft Roll Tire <input type="checkbox"/> Silver Hub <b>OR</b> <input type="checkbox"/> Black Hub.....	<b>\$198</b>
TFW14	<input type="checkbox"/> 4"x.75" Plastic Wheel w/Poly Tire <i>(Not available with Slipstream Fork or Power Adaptable Frame.)</i> .....	<b>NCO</b>
TFW3	<input type="checkbox"/> 4"x.75" Light-Up Micro-Caster <i>(Not available with Slipstream Fork or Power Adaptable Frame.)</i> .....	<b>\$84</b>
TFW26	<input type="checkbox"/> 4"x1.5" LiteSpeed Plastic Wheel w/Soft Roll Tire <i>(Not available with Power Assist, Power Add-on System or Heavy Duty Frame.)</i> .....	<b>\$99</b>
TFW27	<input type="checkbox"/> 4"x1.5" LiteSpeed Billet Aluminum Wheel w/Soft Roll Tire <input type="checkbox"/> Silver Hub <b>OR</b> <input type="checkbox"/> Black Hub.....	<b>\$208</b>
TFW6	<input type="checkbox"/> 5"x1" Plastic Wheel w/Poly Tire <i>(Not available with 90° Front Angle L, Slipstream Fork or Power Adaptable Frame.)</i> .....	<b>NCO</b>
TFW28	<input type="checkbox"/> 5"x1.5" LiteSpeed Plastic Wheel w/Soft Roll Tire <i>(Not available with 90° Front Angle L or Power Adaptable Frame.)</i> .....	<b>\$99</b>
TFW30	<input type="checkbox"/> 5"x1.5" LiteSpeed Billet Aluminum Wheel w/Soft Roll Tire <input type="checkbox"/> Silver Hub <b>OR</b> <input type="checkbox"/> Black Hub <i>(Not available with 90° Front Angle L.)</i> .....	<b>\$224</b>
TFW9	<input type="checkbox"/> 6"x1" Plastic Wheel w/Poly Tire <i>(Not available with 85° or 90° Front Angle L, Slipstream Fork or Power Adaptable Frame.)</i> .....	<b>NCO</b>
TFW32	<input type="checkbox"/> 6"x1.5" LiteSpeed Plastic Wheel w/Soft Roll Tire <i>(Not available with 85° or 90° Front Angle L, Slipstream Fork or Power Adaptable Frame.)</i> .....	<b>\$104</b>
TFW33	<input type="checkbox"/> 6"x1.5" LiteSpeed Billet Aluminum Wheel w/Soft Roll Tire <input type="checkbox"/> Silver Hub <b>OR</b> <input type="checkbox"/> Black Hub <i>(Not available with 85° or 90° Front Angle L or Slipstream Fork.)</i> .....	<b>\$234</b>

### PRECISION LOCK FRONT FORKS

TFK1	<input type="checkbox"/> TiLite Standard Fork.....	<b>STD</b>	
TFK2	<input type="checkbox"/> TiLite Slipstream Single-Sided Fork <i>(Not available with Power Adaptable Frame.)</i> .....	<b>\$177</b>	
TGL1	<input type="checkbox"/> Out-Front Glide™ Suspension Fork <i>(Black anodize only. Not available with Heavy Duty Frame.)</i> .....	<b>\$505</b>	<b>E1015</b>
	Rider's Weight: <input type="checkbox"/> 125 lbs. <input type="checkbox"/> 125-180 lbs. <input type="checkbox"/> 180-265 lbs.		
TTFS1	<input type="checkbox"/> Titanium Fork Stem.....	<b>\$63</b>	

### STANDARD REAR WHEELS *(See Rear Seat Height Ranges Chart for Rear Seat Height D limitations.)*

TRW14	TiLite SHADOW™.....	<b>STD</b>
	<input type="checkbox"/> 20"(451)	
	<input type="checkbox"/> 22"(501)	
	<input type="checkbox"/> 24"(540)	
	<input type="checkbox"/> 25"(559) <i>(Requires 15" minimum Seat Depth B.)</i>	
	<input type="checkbox"/> 26"(590) <i>(Requires 15" minimum Seat Depth B.)</i>	

### PERFORMANCE REAR WHEELS *(See Rear Seat Height Ranges Chart for Rear Seat Height D limitations.)*

TRW7	Spinergy SPOX <input type="checkbox"/> Black <input type="checkbox"/> Red <input type="checkbox"/> Blue <input type="checkbox"/> White.....	<b>\$879</b>
	<input type="checkbox"/> 22"(501) - Std. Hub	
	<input type="checkbox"/> 24"(540) - Std. Hub	
	<input type="checkbox"/> 25"(559) - Std. Hub <i>(Requires 15" minimum Seat Depth B.)</i>	
	<input type="checkbox"/> 26"(590) - Std. Hub <i>(Requires 15" minimum Seat Depth B.)</i>	
TRW8	Spinergy LX <input type="checkbox"/> Black <input type="checkbox"/> Red <input type="checkbox"/> Blue <input type="checkbox"/> White <input type="checkbox"/> Bright Orange <input type="checkbox"/> Flamingo Pink <input type="checkbox"/> Purple.....	<b>\$1103</b>
	<input type="checkbox"/> 22"(501) - Std. Hub	
	<input type="checkbox"/> 24"(540) - Std. Hub	
	<input type="checkbox"/> 25"(559) - Std. Hub <i>(Requires 15" minimum Seat Depth B.)</i>	
	<input type="checkbox"/> 26"(590) - Std. Hub <i>(Requires 15" minimum Seat Depth B.)</i>	
TRW9	<b>New Spinergy Design Lab LX Wheels <i>(If same color is selected, anodized hubs and rims match color anodized package on page 1. Available with black spokes only.)</i></b>	
	<input type="checkbox"/> Gold Anodize <input type="checkbox"/> Green Anodize <input type="checkbox"/> Blue Anodize <input type="checkbox"/> Red Anodize <input type="checkbox"/> Purple Anodize <input type="checkbox"/> Orange Anodize.....	<b>\$1311</b>
	<input type="checkbox"/> 22"(501) - Std. Hub	
	<input type="checkbox"/> 24"(540) - Std. Hub	
	<input type="checkbox"/> 25"(559) - Std. Hub <i>(Requires 15" minimum Seat Depth B.)</i> <input type="checkbox"/> 26"(590) - Std. Hub <i>(Requires 15" minimum Seat Depth B.)</i>	
TRW16	<b>New Spinergy® Carbon Blade with 3k Weave Carbon Fiber <i>(Not available with Heavy Duty Frame.)</i></b> .....	<b>\$1540</b>
	<input type="checkbox"/> 24"(540)	
	<input type="checkbox"/> 25"(559) <i>(Requires 15" minimum Seat Depth B.)</i>	

# TiLite TR TRA Order Form

Effective Jan 1, 2022 (New Items in Red)

DUAL-TUBE RIGID FRAME

Page 6 of 8

TRW17	X-Core Mag (Not available with Heavy Duty Frame, Short Tabs, Quad Release Axles, Spoke Guards or Omit Handrims Option. Requires Aluminum Sliver Anodized Handrims.)	\$63
	<input type="checkbox"/> 20"(451)	
	<input type="checkbox"/> 22"(501)	
	<input type="checkbox"/> 24"(540)	

## AXLES

TAXL1	<input type="checkbox"/> Stainless Quick Release	STD
TAXL2	<input type="checkbox"/> Titanium Quick Release	\$266
TAXL3	<input type="checkbox"/> Quad Release (Not available with Mag or 26"(590) Spinergy Spox or LX Rear Wheels.)	\$162

## PNEUMATIC REAR TIRES

TRTR1	<input type="checkbox"/> Treaded 22"(501), 24"(540), and 26"(590)	STD
TRTR2	<input type="checkbox"/> Airless Inserts (Not available with Spinergy Carbon Blade Rear Wheels.)	\$94
TRTR31	<input checked="" type="checkbox"/> New MBL SpeedLite 20"(451), 22"(501), 24"(540), 25"(559) and 26"(590)	STD
TRTR30	<input type="checkbox"/> 24"(540), 25"(559) and 26"(590) Primo Sentinel	\$130
TRTR8	<input type="checkbox"/> 24"(540), 25"(559) and 26"(590) Schwalbe® Marathon Plus Evolution	\$146
TRTR24	<input type="checkbox"/> 24"(540) Kenda Kobra Knobby	\$99

E2213

## SOLID REAR TIRES (Not available with Spinergy Carbon Blade Rear Wheels.)

TRTR22	<input type="checkbox"/> 20"(451), 22"(501), 24"(540) and 25"(559) Primo Express	\$115
TRTR23	<input type="checkbox"/> 24"(540) and 25"(559) Primo Active	\$141

## HANDRIMS

### Handrims by OUT-FRONT®

TRIM1	<input type="checkbox"/> Aluminum – Silver Anodized	STD
TRIM21	<input type="checkbox"/> Aluminum – Black Anodized (Not available with 20"(451) Rear Wheels.)	NCO
TRIM12	<input type="checkbox"/> Titanium – Satin Finish (Not available with 20"(451) or 22"(501) Rear Wheels, or 24"(540) Knobby tires.)	\$489
TRIM10	<input type="checkbox"/> The Surge (All-In-One Oval with Gription™ Strip, Larger Profile) (Not available with 20"(451) Rear Wheels.)	\$416
TRIM11	<input type="checkbox"/> The Surge LT (All-In-One Oval with Gription™ Strip, Smaller Profile) (Not available with 20"(451) Rear Wheels.)	\$448
TRIM20	<input type="checkbox"/> Q-Grip (Exclusive High-Friction, Anti-Slip Coating) (Not available with 20"(451) Rear Wheels.)	\$344

### The Natural-Fit® (Original, Larger Profile) (Not available with 20"(451) Rear Wheels.)

TRIM14	<input type="checkbox"/> Standard Grip (Not available with Short Tabs or Spinergy Carbon Blade Rear Wheels.)	\$411
TRIM15	<input type="checkbox"/> Super Grip (Not available with Short Tabs or Spinergy Carbon Blade Rear Wheels.)	\$448
TRIM16	<input type="checkbox"/> Without Thumb Grip	\$375

### The Natural-Fit® LT (Reduced Weight, Smaller Profile) (Not available with 20"(451) Rear Wheels.)

TRIM17	<input type="checkbox"/> Standard Grip (Not available with Short Tabs or Spinergy Carbon Blade Rear Wheels.)	\$432
TRIM18	<input type="checkbox"/> Super Grip (Not available with Short Tabs or Spinergy Carbon Blade Rear Wheels.)	\$494
TRIM19	<input type="checkbox"/> Without Thumb Grip	\$406

### Additional Handrim Options

TRIM5	<input type="checkbox"/> Plastic Coated – Black	\$167
TRIM22	<input type="checkbox"/> Omit Handrims	NCO

### Tab Length

TRIM7	<input type="checkbox"/> Long Tabs	STD
TRIM8	<input type="checkbox"/> Short Tabs (Not available with Mag Rear Wheels or The Natural-Fit® Handrims with Thumb Grip.)	\$26

## WHEEL LOCKS

### Wheel Locks by OUT-FRONT®

TWLK7	<input type="checkbox"/> Compact Composite Push to Lock (Available with .75" to 1.5" Rear Wheel Spacing ) only.)	NCO
TWLK8	<input type="checkbox"/> Compact Composite Pull to Lock (Available with .75" to 1.5" Rear Wheel Spacing ) only.)	NCO
TWLK10	<input type="checkbox"/> Extension Handles for Compact Composite Push/Pull to Lock	\$89

E0961

### Additional Wheel Locks

TWLK11	<input checked="" type="checkbox"/> New MBL Composite Scissor Lock	\$151
TWLK3	Uni-Lock Set At: <input type="checkbox"/> Push <b>OR</b> <input type="checkbox"/> Pull	\$172
TWLK4	<input type="checkbox"/> Extension Handles for Uni-Lock	\$89
TWLK15	<input type="checkbox"/> Grade Aids Push to Lock (Not available with solid rear tires)	\$182

E0961

E0974

## SIDE GUARDS

### Aluminum

TSDG2	<input type="checkbox"/> Rigid Removable <input type="checkbox"/> Small <b>OR</b> <input type="checkbox"/> Std	\$208
TSDG3	<input type="checkbox"/> Quad Removable w/Hole <input type="checkbox"/> Small <b>OR</b> <input type="checkbox"/> Std	\$224
TSDG4	<input type="checkbox"/> Fold Down Rigid <input type="checkbox"/> Small <b>OR</b> <input type="checkbox"/> Std (Not available with Ergonomic Seat.)	\$349
TSDG6	<input type="checkbox"/> Fendered Adjustable (Available with 24" and 25" Rear Wheels. Requires Rear Seat Height D of 14.5" to 18.5".)	\$349

# TiLite TR TRA Order Form

**New 3k Weave Carbon Fiber**

TSDG7	<input type="checkbox"/> Rigid Removable	<input type="checkbox"/> Small	<b>OR</b>	<input type="checkbox"/> Std	.....	<b>\$323</b>		
TSDG8	<input type="checkbox"/> Quad Removable w/Hole	<input type="checkbox"/> Small	<b>OR</b>	<input type="checkbox"/> Std	.....	<b>\$333</b>		
TSDG9	<input type="checkbox"/> Fold Down Rigid	<input type="checkbox"/> Small	<b>OR</b>	<input type="checkbox"/> Std	(Not available with Ergonomic Seat or Carbon Edition.)	<b>\$479</b>		
TSDG11	<input type="checkbox"/> Fendered Adjustable (Available with 24" and 25" Rear Wheels. Requires Rear Seat Height D of 14.5" to 18.5").						<b>\$588</b>	
TSDG12	<input type="checkbox"/> Fendered Removable						<b>\$474</b>	

**CUSTOM CONFIGURATION OPTIONS**

**Available on Aluminum and Carbon Fiber Non-Fendered Side Guards**

TSDG13	<input type="checkbox"/> Side Guards Custom Cut to Profile of Rear Wheels					<b>\$328</b>	
--------	---	--	--	--	--	--------------	--

**ARMRESTS** (Desk Arms come with built-in Side Guards.)

TARM1	Swing Away Tubular	<input type="checkbox"/> 6.5" to 9.5"	<b>OR</b>	<input type="checkbox"/> 9.5" to 12.5"	(Not Available with Non-Folding, Fixed Height Titanium Seat Back or Height Adjustable Push Handles.)	<b>\$234</b>	<b>E0973</b>	
TARM4	<input type="checkbox"/> Swing Away - Flip Back Tubular 8.5" to 11.5" (Not Available with Non-Folding, Fixed Height Titanium Seat Back.)						<b>\$328</b>	<b>E0973</b>
TARM2	Removable Height Adjustable Desk Arm with Rigid Side Guard	(Requires 14" minimum Seat Depth B. Not available with Ergonomic Seat.)				<b>\$349</b>	<b>E0973</b>	
		<input type="checkbox"/> 9" to 12"	<b>OR</b>	<input type="checkbox"/> 12" to 15"				
TARM3	Removable Height Adjustable Desk Arm with Rigid Side Guard and Transfer Loop	(Requires 15" minimum Seat Depth B. Not Available with Ergonomic Seat.)				<b>\$390</b>	<b>E0973</b>	
		<input type="checkbox"/> 9" to 12"	<b>OR</b>	<input type="checkbox"/> 12" to 15"				
		<input type="checkbox"/> Standard Length Pad (10")	<b>OR</b>	<input type="checkbox"/> Full Length Pad (14")				

**Available Armrest Option**

TARM5	<input type="checkbox"/> Covered in Black Ultrasuede (Not available with Desk Arms)					<b>\$115</b>	
-------	---	--	--	--	--	--------------	--

**SEAT BELTS**

TBLT1	<input type="checkbox"/> Velcro Adjustable, Black Nylon Webbing					<b>\$58</b>	<b>E0978</b>
TBLT2	<input type="checkbox"/> Bodypoint® 2" Push-Button Buckle (Auto-Style.)					<b>\$99</b>	<b>E0978</b>
TBLT4	<input type="checkbox"/> Bodypoint® 1" Wide Push-Button Buckle Padded (Auto-Style.) (Not available with 19" or 20" Rear Seat Widths A.)					<b>\$188</b>	<b>E0978</b>
TBLT5	<input type="checkbox"/> Bodypoint® 1.5" Wide Push-Button Buckle Padded (Auto-Style.) (Not available with 19" or 20" Rear Seat Widths A.)					<b>\$177</b>	<b>E0978</b>
TBLT10	<input type="checkbox"/> Bodypoint® Optional Band Clamp Mounting Hardware					<b>\$21</b>	<b>K0108</b>
TBLT16	<input type="checkbox"/> Bodypoint® EvoFlex® Pelvic Stabilizer Push Button					<b>\$193</b>	<b>E0978</b>

**CALF STRAP**

TCLF2	Velcro Adjustable					<b>\$42</b>	<b>K0038</b>
		<input type="checkbox"/> Small (Recommended for 9" - 12" Footrest Widths.)					
		<input type="checkbox"/> Medium (Recommended for 11" - 15" Footrest Widths.)					
		<input type="checkbox"/> Large (Recommended for 14" - 17" Footrest Widths.)					
		<input type="checkbox"/> Xtra Large (Recommended for 16" - 19" Footrest Widths.)					
TCLF3	Bodypoint® Padded Velcro Adjustable					<b>\$104</b>	<b>K0038</b>
		<input type="checkbox"/> Medium (Recommended for 11" - 15" Footrest Widths.)					
		<input type="checkbox"/> Large (Recommended for 16" - 19" Footrest Widths.)					
TCLF1	<input type="checkbox"/> Buckle Adjustable, Black Nylon Webbing					<b>\$32</b>	<b>K0038</b>

**RESIDUAL LIMB SUPPORT**

TRSL1	<input type="checkbox"/> Residual Limb Support <input type="checkbox"/> Left <b>OR</b> <input type="checkbox"/> Right (8" width x 10" length)					<b>\$411</b>	<b>E1020</b>
TRSL2	<input type="checkbox"/> Residual Limb Support Pair (8" width x 10" length)					<b>\$822</b>	<b>E1020</b>

**BACKPACK**

TBCK3	<input type="checkbox"/> Permobil Medical Necessities Backpack					<b>\$99</b>	
-------	--	--	--	--	--	-------------	--

**SEAT POUCH**

TPCH3	<input type="checkbox"/> Permobil Medical Necessities Seat Pouch					<b>\$63</b>	
TPCH4	<input type="checkbox"/> Bodypoint® Mobility Bag					<b>\$104</b>	

**SPOKE GUARDS**

TGRD1	<input type="checkbox"/> Clear Lexan with TiMotion Logo (Not available with Mag Rear Wheels.)					<b>\$141</b>	<b>K0065</b>
-------	---	--	--	--	--	--------------	--------------

**ANTI-TIPS**

TTIP1	<input type="checkbox"/> Rear Aluminum - Black					<b>\$167</b>	<b>E0971</b>
TTIP2	<input type="checkbox"/> User Friendly Flip-up					<b>\$349</b>	<b>E0971</b>

**ACCESSORIES**

TUEST1	Upper Extremity Support Tray	<input type="checkbox"/> 12" to 14"	<b>OR</b>	<input type="checkbox"/> 13" to 15"	Seat Widths A (Requires Armrests.)	<b>\$302</b>	<b>E0950</b>
TLUG1	<input type="checkbox"/> Luggage Carriers					<b>\$151</b>	
TMPCT2	<input type="checkbox"/> Black Neoprene Impact Guards with Ultrasuede Stripe					<b>\$110</b>	
TCH1	<input type="checkbox"/> Crutch Holder					<b>\$234</b>	<b>E2207</b>

# TiLite TR TRA Order Form

Effective Jan 1, 2022 (New Items in Red)

DUAL-TUBE RIGID FRAME

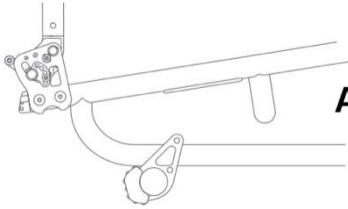
Page 8 of 8

TAFP1 4" Logo Patch  Army  Navy  Air Force  Marines.....\$110

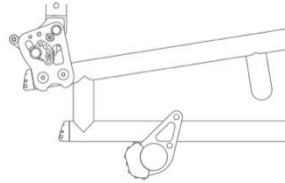
## NOTES

The rear frame for a TR will be square when the Center of Gravity H measurement is less than 3.5". TRA will always be a Rounded Rear Frame.

## GENERAL



A. Round rear frame



B. Square rear frame

More options and frame modifications may be available through our Creative Mobility Division! Please contact customer service for details or [click here](#) to view options.

Permobil manufactures TiLite manual wheelchairs in a wide variety of configurations to meet the varied needs of wheelchair users. The final selection of a particular model, its options and accessories, and its measurements rests solely with the wheelchair user and advising healthcare professional. These wheelchairs must be fitted by a qualified healthcare professional. HCPCS Codes are for reference purposes only. Actual coding and coverage varies by payer. Proper HCPCS coding is not a guarantee of payment. Please verify the appropriate payer's coverage policy.

Get the latest order forms at [permobilus.com](http://permobilus.com). Prices, standard features, options and accessories are subject to change without notice. All rights reserved. Trademarks are identified by symbols™ and ®. TiLite, TiFit, the TiLite logo, Ti, the Ti logo, and TiShaft are registered trademarks of TiSport, LLC and are licensed to Permobil. Permobil® is a registered trademark of Permobil. Adobe®, Acrobat®, Acrobat Professional® and Reader® are registered trademarks of Adobe Systems Inc. Bodypoint® is a registered trademark of Bodypoint Inc. Kenda® is a registered trademark of Kenda Rubber Industrial Co. Ltd. ROHO®, AGILITY®, Low Profile® and Quadtro Select® are registered trademarks of ROHO Inc. Schwalbe® is a registered trademark of Ralf Bohle GmbH. The Natural-Fit® and Out-Front® are registered trademarks of Three Rivers Holdings, LLC. The ACTA-BACK®, ACTA-EMBRACE™, COMFORT-TEK™, COMPASS®, CURVE®, ELEMENTS®, and STRETCH AIR™ are registered trademarks of THE COMFORT COMPANY® and are licensed to Permobil. Q'Straint® is a registered trademark of Q'Straint Inc.

## NOTES

**QUOTE THIS CHAIR**

If you are using Adobe Acrobat, this order form may be converted into a quote request or into an order by clicking one of the buttons (this feature is available exclusively to Permobil dealers and distributors). A Quote or an Order Confirmation will be sent to you within 24 hours.

**ORDER THIS CHAIR**