

TiLite manual wheelchairs

Creative Mobility Division



permobil

How to order

Catalogue

1. Identify CMDs you wish to order and fill out. Please confirm compatibility with the chair you're ordering.
2. Fill out the catalogue page corresponding to that CMD with the required information for us to complete your request.
 - EZ-Ti ID, PO#, or Quote# if available.
 - Measurements, selections, and special instructions if necessary.
3. Email the filled-out page(s) to your local Permobil sales office and include Order Form if applicable.

Order Forms

1. Identify CMDs you wish to order and fill out. Please confirm compatibility with the chair you're ordering.
2. In the "Notes" section on the last page of the order form, include the following information:
 - CMD number(s) being requested.
 - Measurements, selections, and special instructions if necessary.
3. Submit Order Form via email to your local Permobil sales office.

EZ-Ti

1. Identify CMDs you wish to order and fill out. Please confirm compatibility with the chair you're ordering.
2. In the "CMD" section on the Summary page of EZ-Ti, include the following information:
 - CMD number(s) being requested.
 - Measurements, selections, and special instructions if necessary.
3. Submit quote request via EZ-Ti.

Please note, custom requests may impact quote turnaround time and chair build time. Pricing for these custom options may vary based on the amount of added labor and material costs.

Creative Mobility Division

Table of contents:

Click desired section

Aesthetic options

Frame modification options

Backrest options

Push handle options

Footrest options

Caster options

Rear wheel options

Seat upholstery options

Side guard options

Armrest options

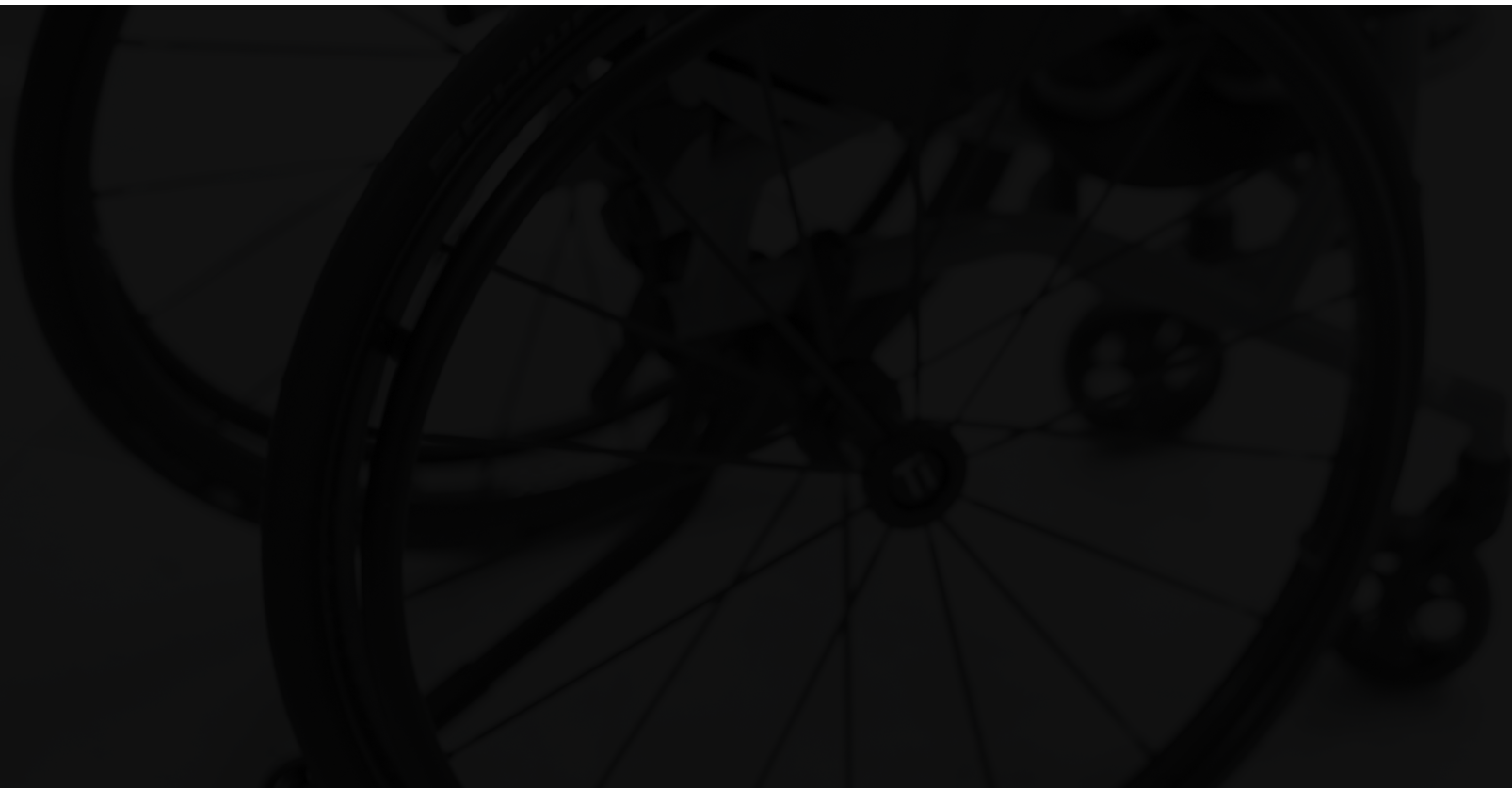
Accessory options

Miscellaneous options



TiLite manual wheelchairs | Creative Mobility Division

Aesthetic Options



Unique frame/component finish including color and one-off tattoo design CMD #36



EZ-Ti ID _____

PO# _____

Clinical rationale

This modification is available for individuals who are requiring or requesting a personalized, unique frame color or finish for their manual wheelchair.

Available on:

TiLite TR, TiLite TRA, TiLite Aero T, TiLite TX1, TiLite ZR, TiLite ZRA, TiLite Aero Z, TiLite 2GX, TiLite Aero X

Notes:

Please describe unique request below:

Special Instructions



△ NOTE: Permobil's warranty does not cover Creative Mobility Division frames and frame components, unless Permobil determines that the frame or frame component was defectively manufactured.

Armed forces patch(es)

CMD #74

EZ-Ti ID _____

PO# _____

Clinical rationale

Feature offered to US VA service personnel, in honor of their service, in recognition of their sacrifice.

Available on:

TiLite TR, TiLite TRA, TiLite ZR, TiLite ZRA, TiLite Aero T, TiLite Aero Z, TiLite Aero X, TiLite 2GX, TiLite TX1, TiLite TWIST, TiLite Pilot

Notes:

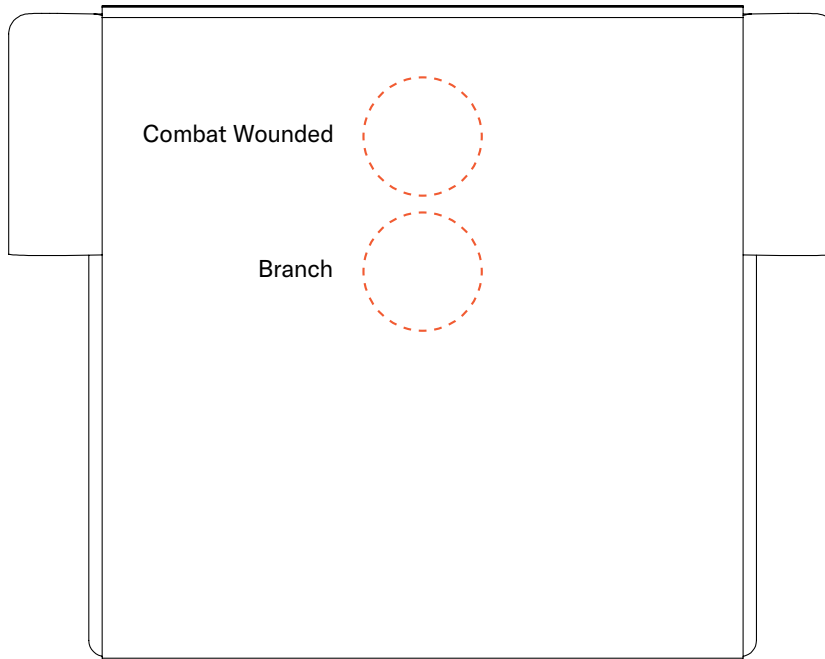
- Armed forces patches will be centered on back upholstery.
- Branch logo patch will be underneath Combat Wounded patch if applicable.

Required information

(Insert required information for CMD-E to complete this request)

Branch: _____

Combat Wounded: Yes OR No



Back upholstery

Special Instructions



△ NOTE: Permobil's warranty does not cover Creative Mobility Division frames and frame components, unless Permobil determines that the frame or frame component was defectively manufactured.

Full polished frame CMD #87



EZ-Ti ID _____

PO# _____

Clinical rationale

Modification provides a polished appearance to titanium frame, to remove risk of paint wear/tear scratches occurring during daily routines. Provides easy buffing option during care/maintenance routine.

Available on:

Titanium frames only

Notes:

- If a Rigid wheelchair is ordered with a Titanium Footrest and Titanium Backrest, these items will be polished as well.
- If a TX1 or 2GX or Rigid 2GX, the hangers will be polished as well as the main frames as applicable.

Special Instructions



△ NOTE: Permobil's warranty does not cover Creative Mobility Division frames and frame components, unless Permobil determines that the frame or frame component was defectively manufactured.

Raw finished titanium frame CMD #92

EZ-Ti ID _____

PO# _____

Clinical rationale

Modification requested by consumers who are at higher risk of wear/tear frame scratches related to ADL or MRADL routines either due to frame contact in narrow environments, or during vehicle wheelchair loading/unloading routine.

Available on:

TiLite TR, TiLite TRA, TiLite ZR, TiLite ZRA, TiLite TX1

Notes:

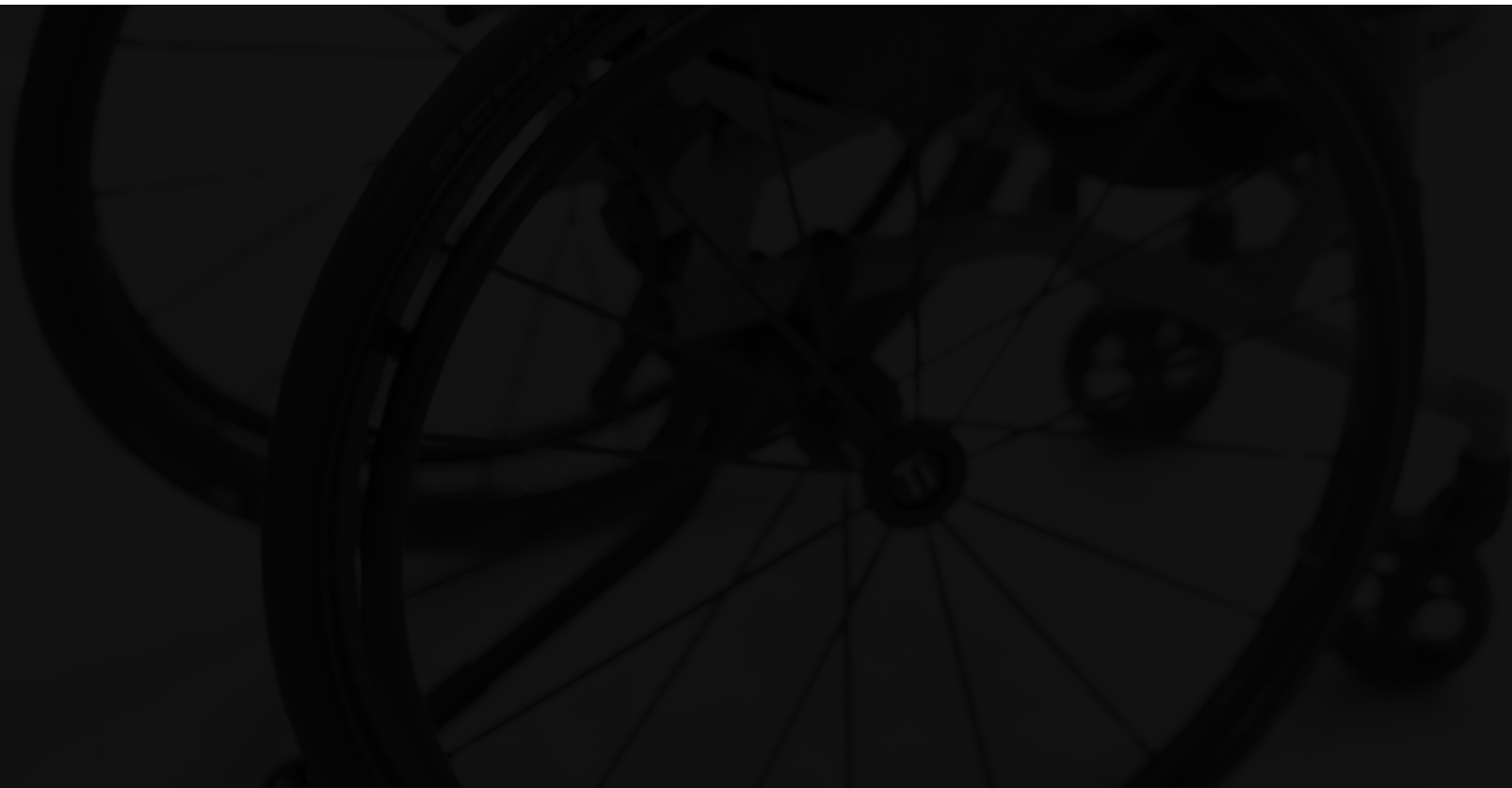
- Only available on Titanium frames.
- Titanium frame components will be left with surface anomalies, scuffs, weld halos and other inconsistencies that occur during the manufacturing process.



Special Instructions

TiLite manual wheelchairs | Creative Mobility Division

Frame modification options

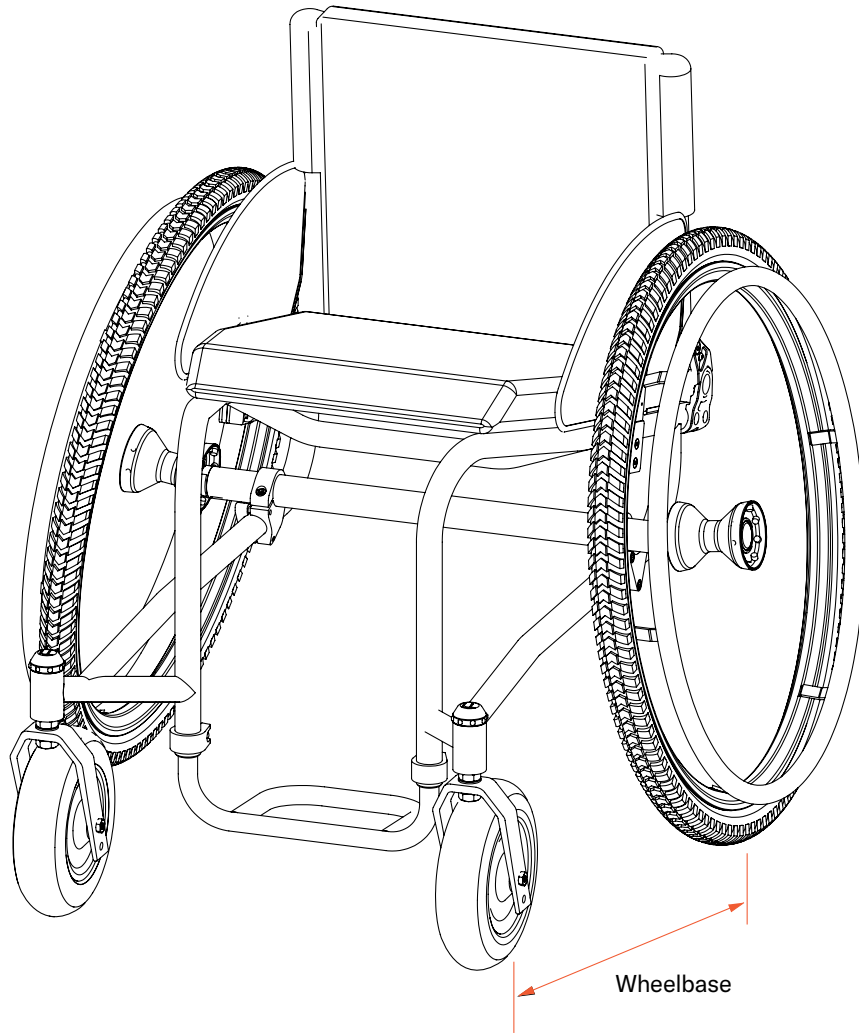


All-terrain TiLite TR

CMD #3

EZ-Ti ID _____

PO# _____



Clinical rationale

Modification indicated for safe and independent access to rural environment. All-terrain TR frame required to provide safe and consistent access to environment; typical TR set up would decrease access and independence.

Available on: TiLite TR

Notes:

- Use current TR order form and if desired, the TiFit Worksheet to denote specific frame dimensions.
- A signed CAD is required.
- Front angles greater than 90° are possible. May incur further charge. May not work with all chair configurations.
- Color and packages are not available on this adaptation.
- Defaults (unless otherwise noted):
 - Forward mounted 8" x 2" caster wheels.
 - Rear tires will be 507, 540 or 559 knobby rear tires.

Required information

(Insert required information for CMD-E to complete this request)

Wheelbase desired: _____

Caster-stem width desired: _____

Special Instructions



△ NOTE: Permobil's warranty does not cover Creative Mobility Division frames and frame components, unless Permobil determines that the frame or frame component was defectively manufactured.

Unique under seat tube depth CMD #5

EZ-Ti ID _____

PO# _____

Clinical rationale

Modification indicated for individuals who present with need to attach specific bags or medical supply carriers. This modification may also be indicated to assist with transferring chair into the car.

Available on:

TiLite TR, TiLite TRA, TiLite Aero T, TiLite ZR, TiLite ZRA,
TiLite Aero Z

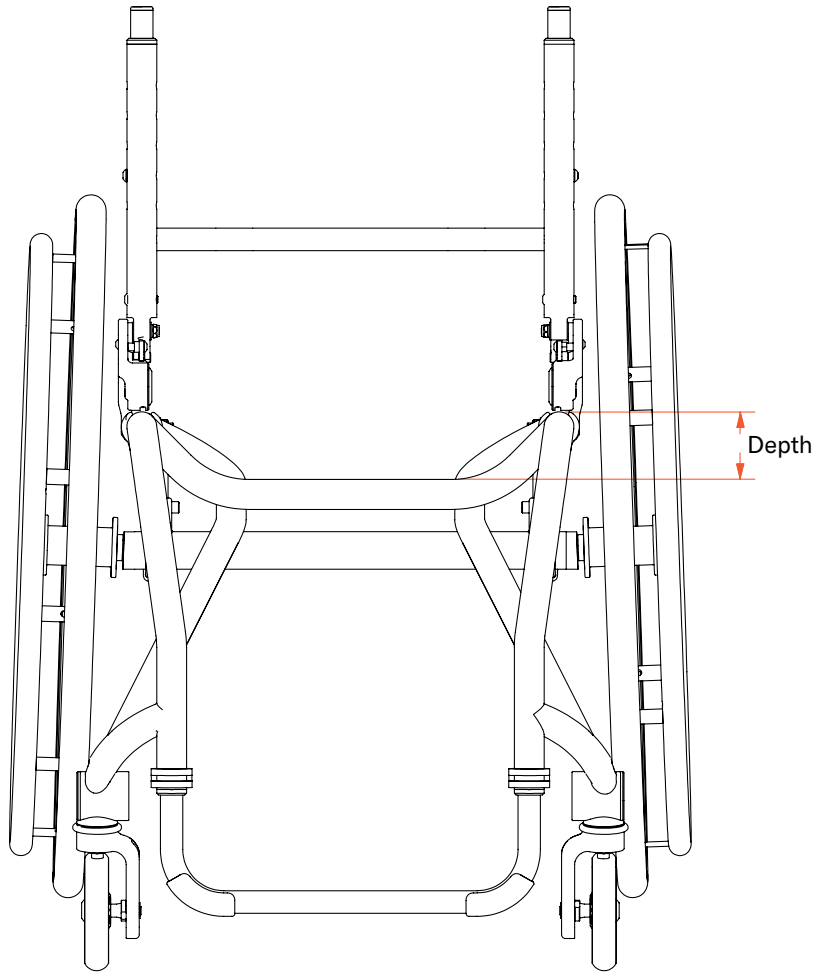
Notes:

- Seat pan required for cross tubes with depths of 1" or less.
- May not work with all chair configurations.

Required information

(Insert required information for CMD-E to complete this request)

Depth desired (measured as shown): _____



Special Instructions



△ NOTE: Permobil's warranty does not cover Creative Mobility Division frames and frame components, unless Permobil determines that the frame or frame component was defectively manufactured.

60° Hanger front angle CMD #6

EZ-Ti ID _____

PO# _____

Clinical rationale

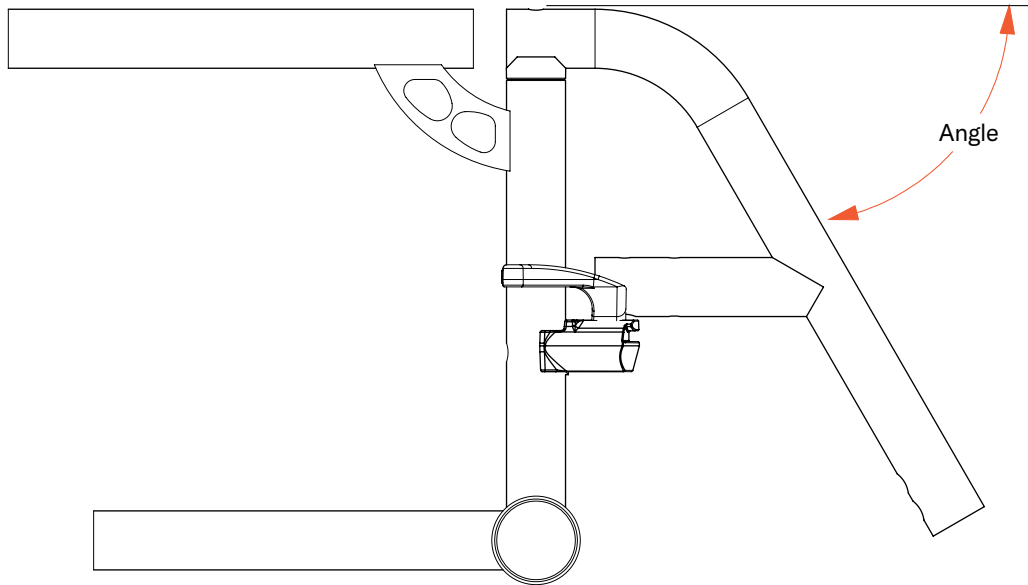
Modification indicated for clients who present with lower extremity positioning and limited range of motion that cannot be accommodated with available front angle options offered on the order form.

Available on:

TiLite Aero X, TiLite 2GX

Notes:

- This option is only available on Swing-away front / Non-heavy duty folding chairs.
- Tapered hangers are not available.
- May not work with all configurations.



Special Instructions



△ NOTE: Permobil's warranty does not cover Creative Mobility Division frames and frame components, unless Permobil determines that the frame or frame component was defectively manufactured.

1/2" Increment seat depth (Rigid Models)

CMD #10

EZ-Ti ID _____

PO# _____

Clinical rationale

Modification for individuals who require a precise seat length measurement to accommodate upper leg length and lower extremity positioning.

Available on:

TiLite TR, TiLite TRA, TiLite ZR, TiLite ZRA, TiLite Aero T, TiLite Aero Z

Notes:

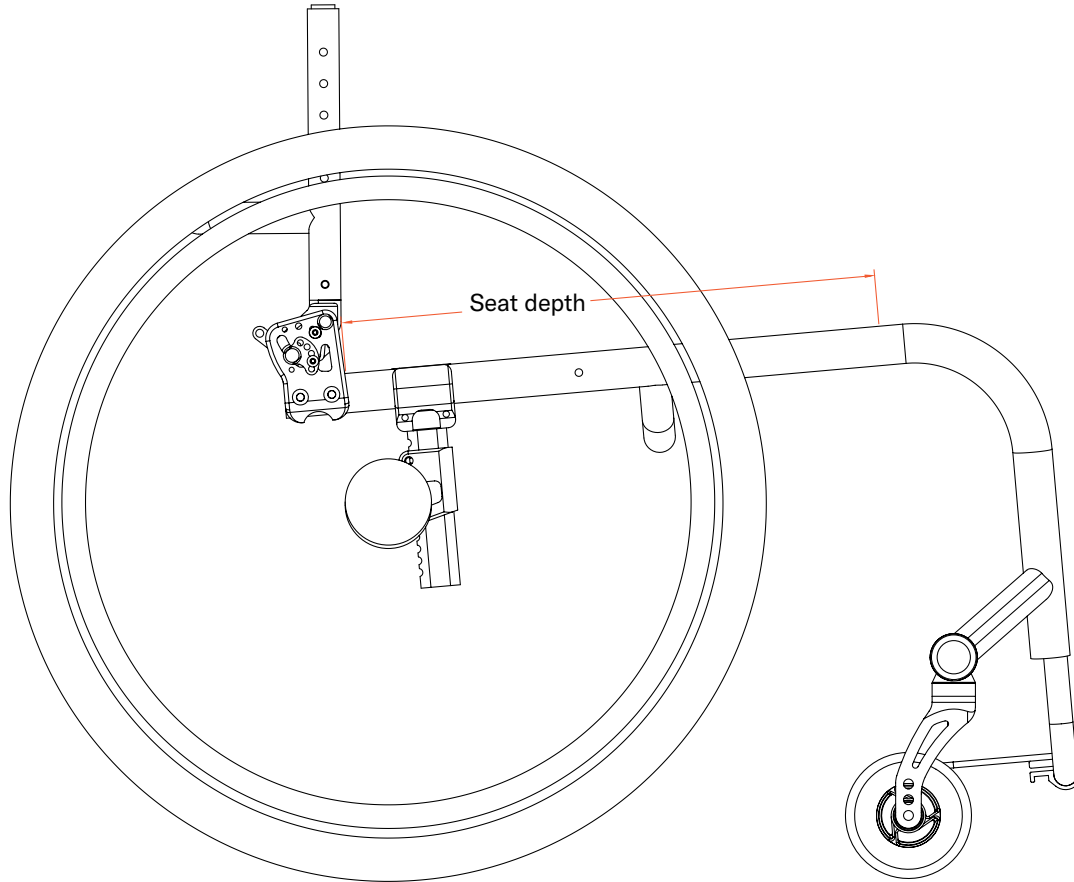
- Only available on rigid frames.
- Max seat depth is 21.5" under this CMD
- Seat depths over 20" require the addition of CMD 056
- May not work with all chair configurations.

Required information

(Insert required information for CMD-E to complete this request)

Please round desired seat depth to the nearest 1/2".

Seat depth: _____



Special Instructions



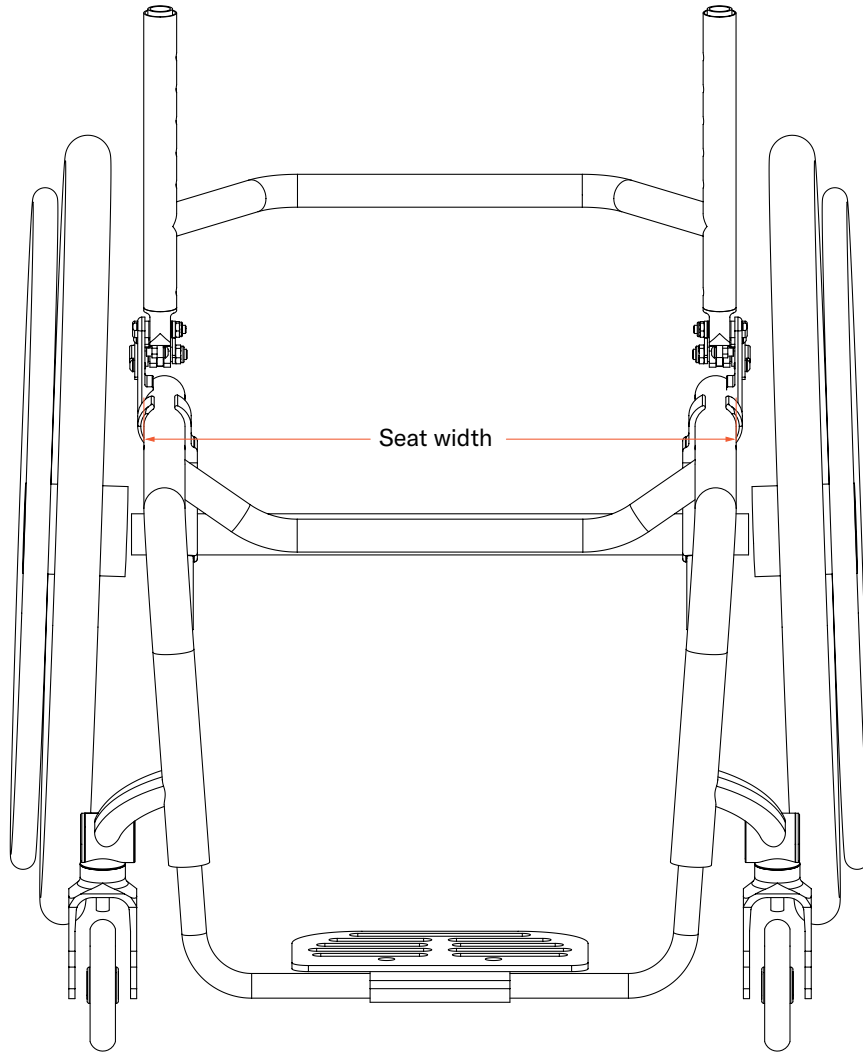
△ NOTE: Permobil's warranty does not cover Creative Mobility Division frames and frame components, unless Permobil determines that the frame or frame component was defectively manufactured.

1/2" Increment seat width (Rigid Models)

CMD #11

EZ-Ti ID _____

PO# _____



Clinical rationale

Modification for individuals who require a precise seat width measurement to accommodate pelvic width, posture and positioning.

Available on:

TiLite TR, TiLite TRA, TiLite Aero T, TiLite ZR, TiLite ZRA, TiLite Aero Z

Notes:

- Only available for rigid frames.
- Available on seat widths of 14.5" or greater.
- 21.5" max seat width under this CMD.
- Seat widths over 20" will require the addition of CMD 056"
- May not work with all chair configurations.

Required information

(Insert required information for CMD-E to complete this request)

Round this seat width to the nearest 1/2" increment.

Seat width: _____

Special Instructions

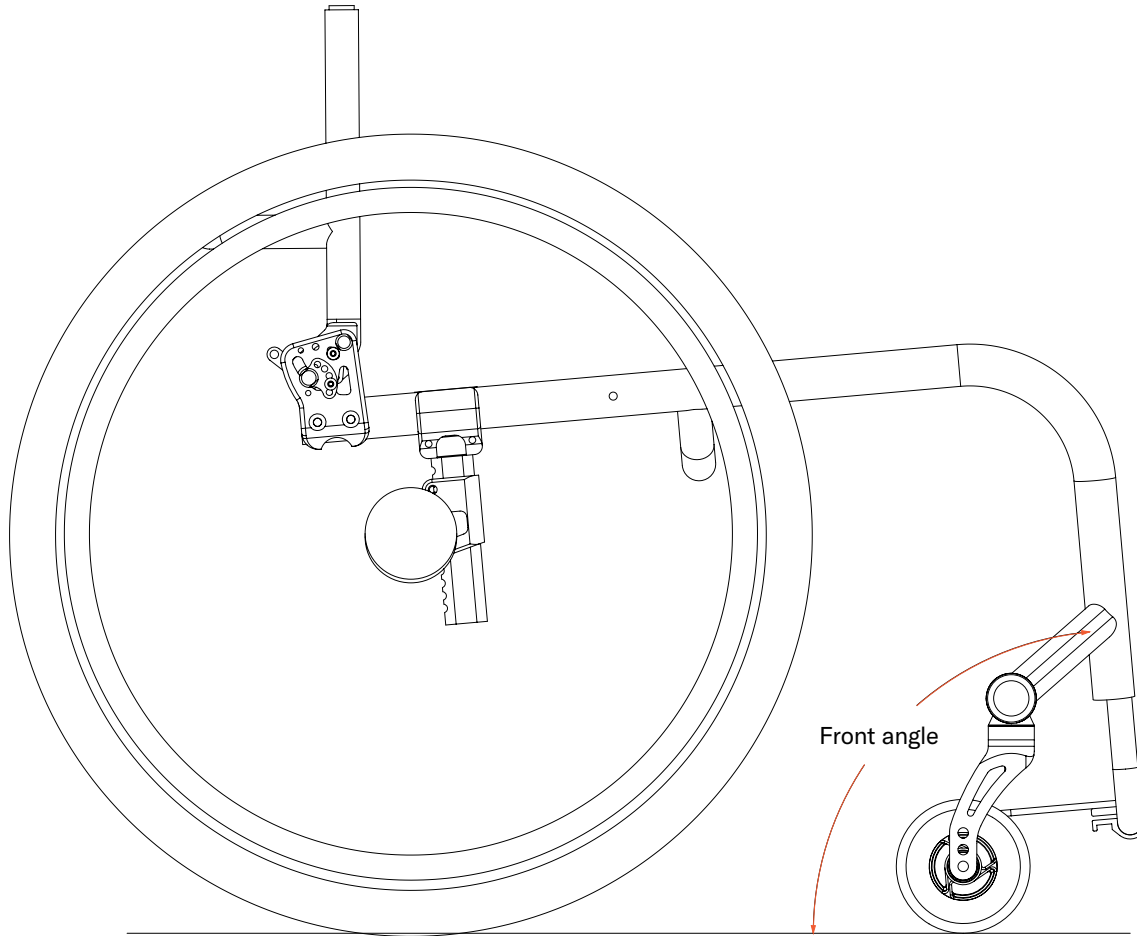


△ NOTE: Permobil's warranty does not cover Creative Mobility Division frames and frame components, unless Permobil determines that the frame or frame component was defectively manufactured.

Adapted front angle CMD #14

EZ-Ti ID _____

PO# _____



Clinical rationale

This modification is indicated for clients who require a specific front angle to ensure proper lower extremity positioning and balance of the wheelchair.

Available on:

TiLite TR, TiLite TRA, TiLite ZR, TiLite ZRA, TiLite Aero T, TiLite Aero Z, TiLite TX

Notes:

- Angles close to or more than 90° may cause interference with some caster options.
- TiLite CMD-E group will need to confirm caster-swivel clearance.
- None of these chair models can have a front angle that exceeds 120° to the seat tube.
- May not work with all chair configurations.

For Z-chairs:

- Angles more than 90° or less than 60° is considered a CMD 014.

For T-series (including the TX1):

- Angles more than 90° are not possible. Less than 60° will be considered CMD 14.

Required information

(Insert required information for CMD-E to complete this request)

Please round the angle request to nearest whole degree.

Angle to floor: _____

Special Instructions



△ NOTE: Permobil's warranty does not cover Creative Mobility Division frames and frame components, unless Permobil determines that the frame or frame component was defectively manufactured.

Rigid 2GX CMD #37

EZ-Ti ID _____

PO# _____

Clinical rationale

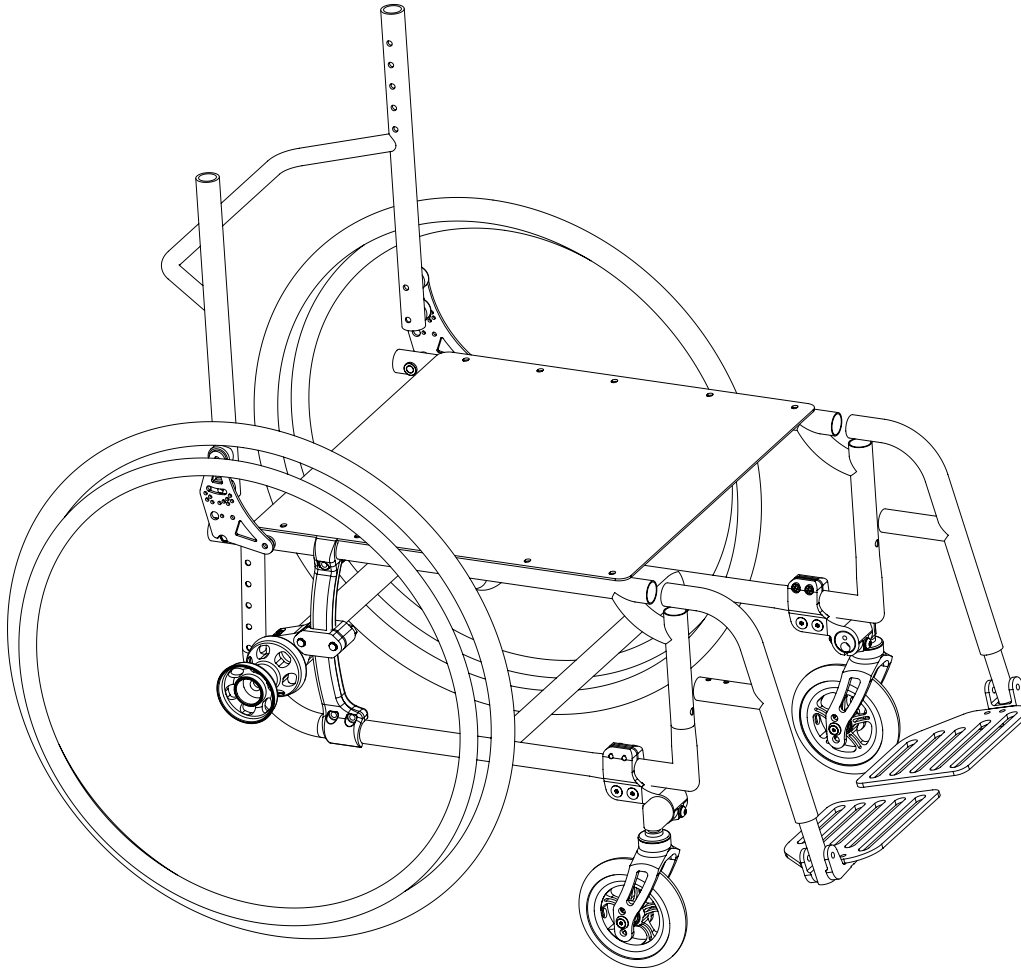
This modification is indicated for individuals who require the rigidity of a rigid frame but also require swing-away leg rests.

Available on:

TiLite 2GX

Notes:

- Only available with swing-away front.
- No Tie-downs are approved for this chair.
- There is not a hemi-height version of this wheelchair.



Special Instructions



△ NOTE: Permobil's warranty does not cover Creative Mobility Division frames and frame components, unless Permobil determines that the frame or frame component was defectively manufactured.

Frame depths: negative, extra long and 1/4" adapted CMD #54

EZ-Ti ID _____

PO# _____

Clinical rationale

Modification indicated for individuals who require a unique and specific frame depth to accommodate for lower extremity positioning and to ensure proper wheelchair balance.

Available on:

TiLite TR, TiLite TRA, TiLite Aero T, TiLite ZR, TiLite ZRA, TiLite Aero Z

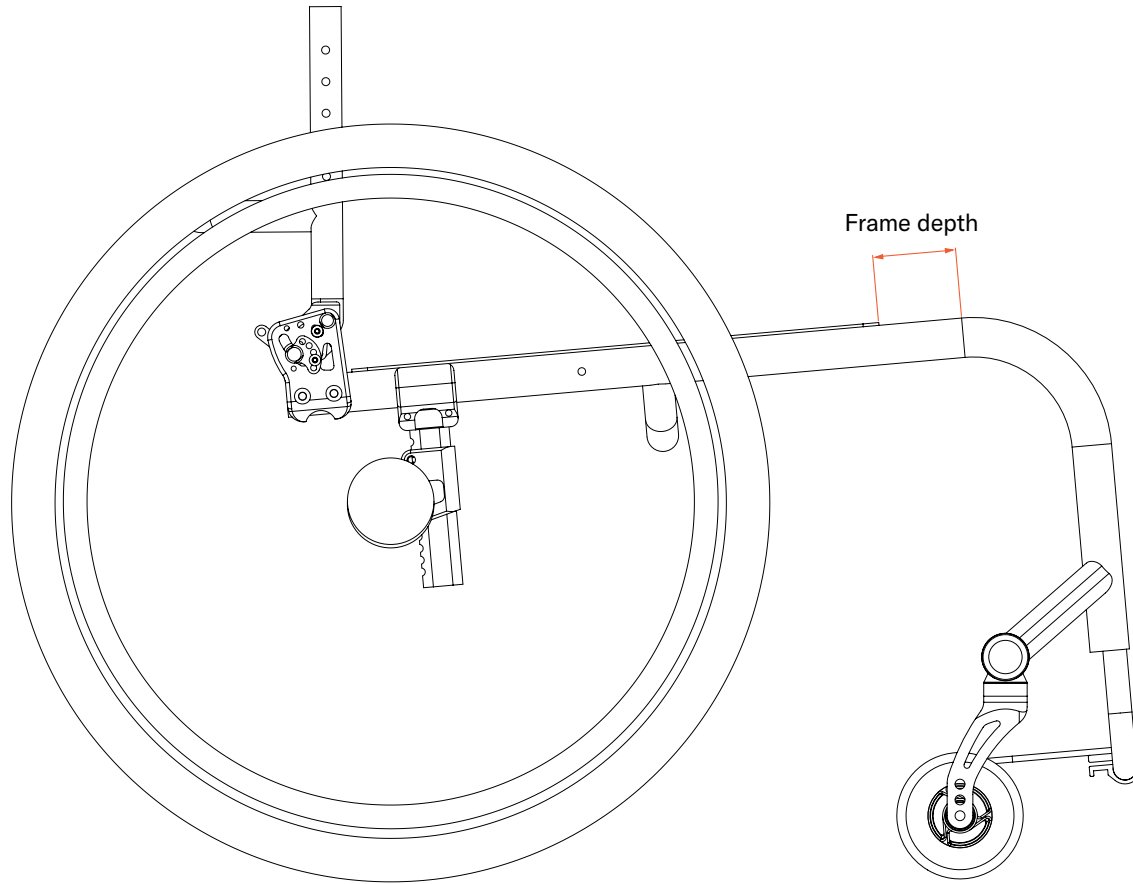
Notes:

- Negative frame lengths may require tension adjustable by strap upholstery OR the seat rails may be made from steel. OR a seat pan may be used.
- All negative Frame Depths.
- All 0.25" frame requests.
- All frame lengths 3" or more than the seat depth.
- May not work in all configurations.

Required information

(Insert required information for CMD-E to complete this request)

Modified frame-depth in relation to the seat-sling depth (please indicate if + or -): _____



Special Instructions



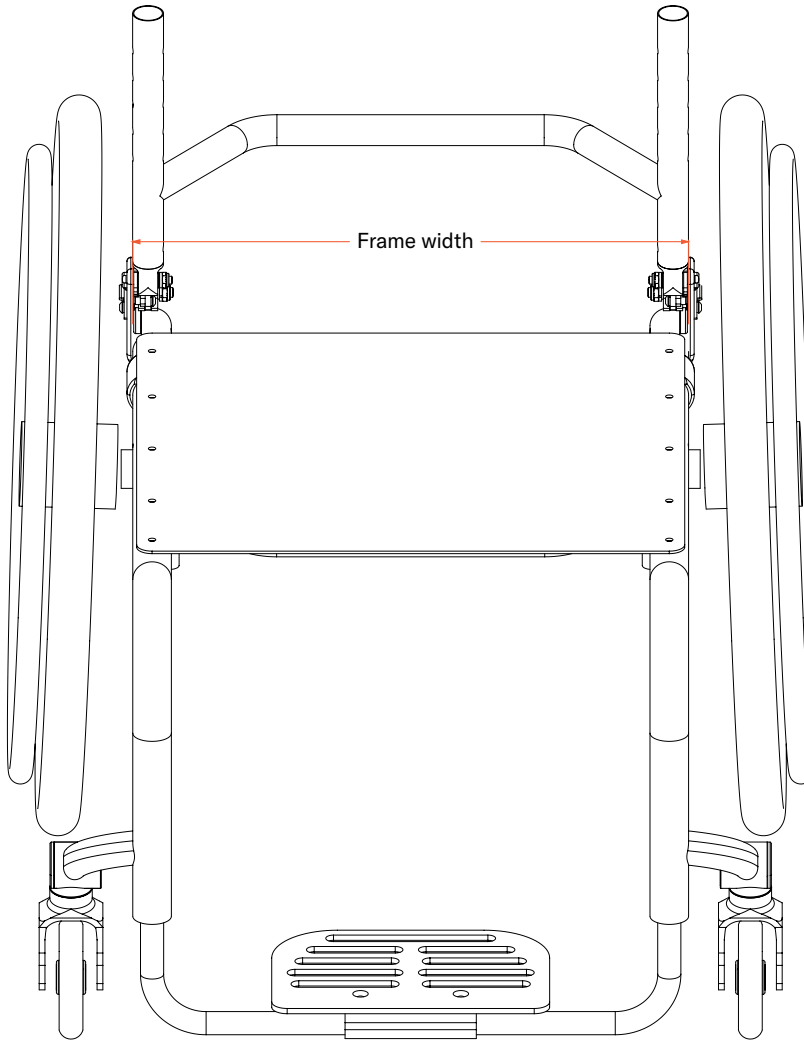
△ NOTE: Permobil's warranty does not cover Creative Mobility Division frames and frame components, unless Permobil determines that the frame or frame component was defectively manufactured.

Adapted frame with depth and/or width at 21-22”

CMD #56

EZ-Ti ID _____

PO# _____



Clinical rationale

Modification indicated for individuals whose anatomical length and/or width measurements are greater than 20 inches requiring a longer and/or wider wheelchair frame to accommodate the individuals' shape and size.

Available on:

TiLite TR, TiLite TRA, TiLite ZR, TiLite ZRA, TiLite Aero T, TiLite Aero Z

Notes:

- Only available on Rigid Frames.
- May not work on all configurations.
- This does not increase the weight limit from the standard HD model chairs.
- Rounded rigidizer bars are not available on the Ti backrests of these chairs.
- Pertaining to 21 and 22" wide frames; If ordered as a parts order, ensure the existing upholstery, footrest and backrest will fit the new frame.

Special Instructions



△ NOTE: Permobil's warranty does not cover Creative Mobility Division frames and frame components, unless Permobil determines that the frame or frame component was defectively manufactured.

Unique ergo-seat configurations

CMD #62

EZ-Ti ID _____

PO# _____

Clinical rationale

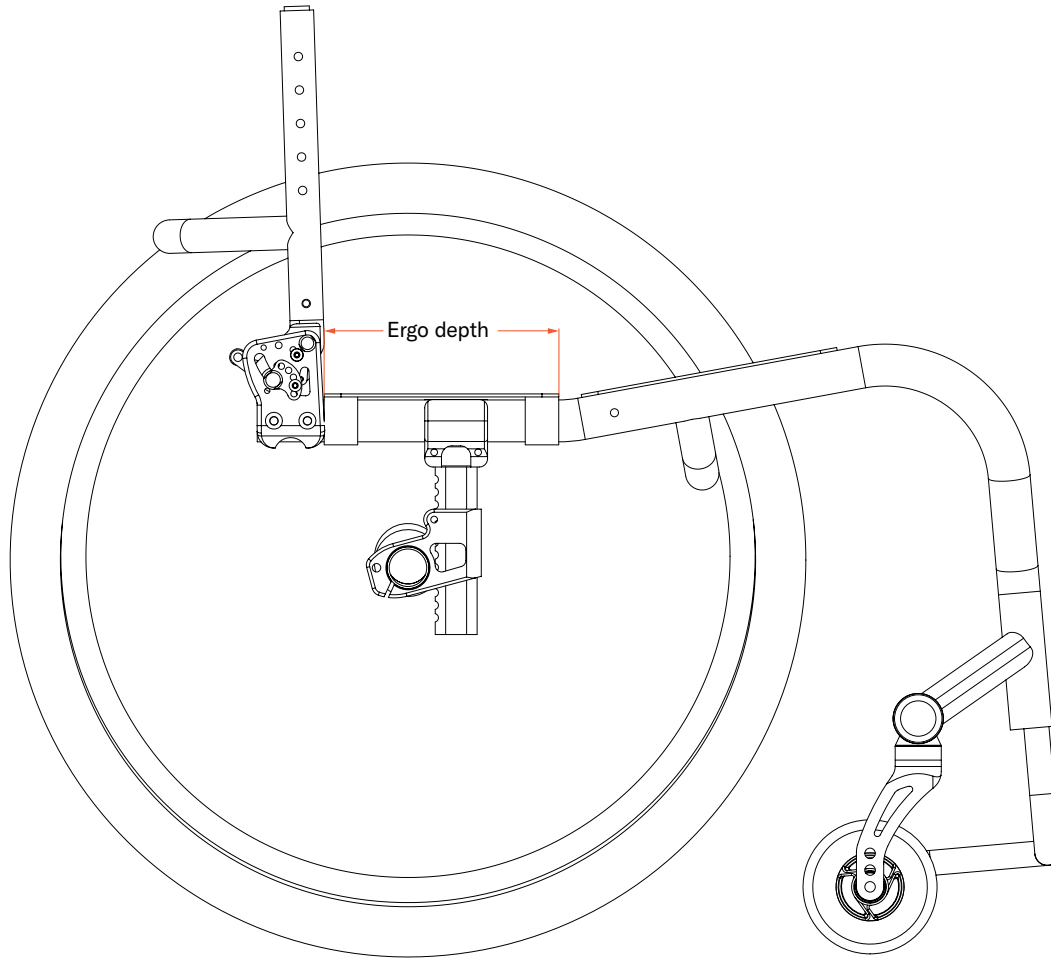
Modification indicated when clients anatomical measurements require custom accommodation.

Available on:

TiLite TRA, TiLite TR, TiLite Aero T, TiLite ZR, TiLite ZRA, TiLite Aero Z

Notes – This CMD applies if:

- The ergo depth is outside the selectable range.
- AND/OR
- If the ergo is also ordered with a tapered seat or V-front option.



Special Instructions



△ NOTE: Permobil's warranty does not cover Creative Mobility Division frames and frame components, unless Permobil determines that the frame or frame component was defectively manufactured.

Full sized wheelchair drawing CMD #65

EZ-Ti ID _____

PO# _____

Clinical rationale

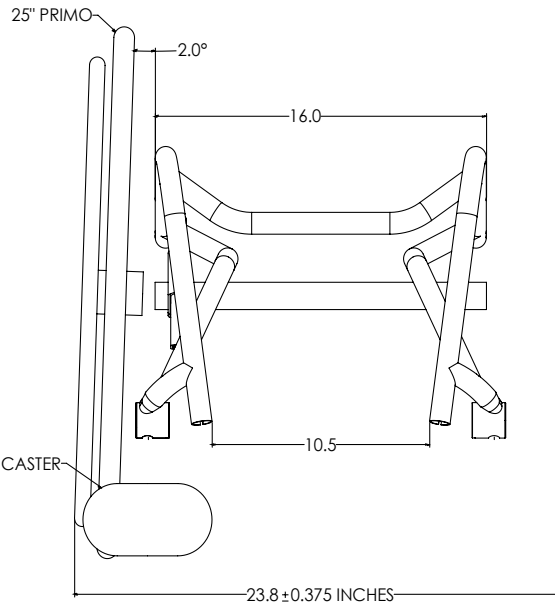
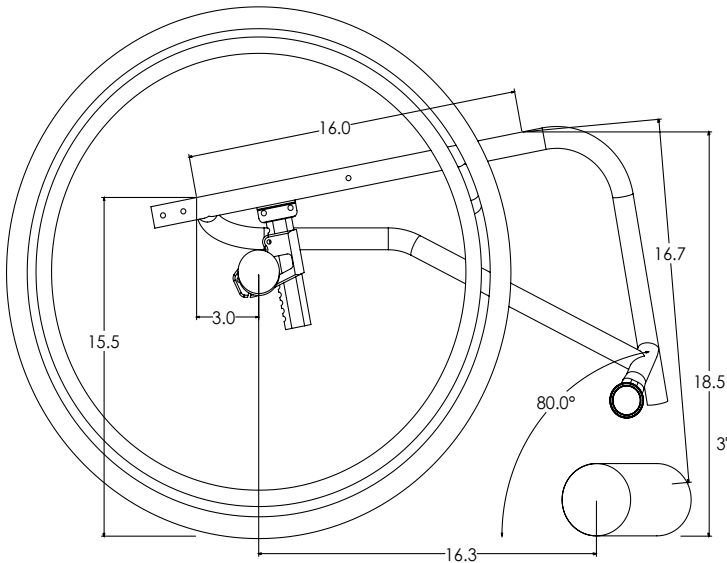
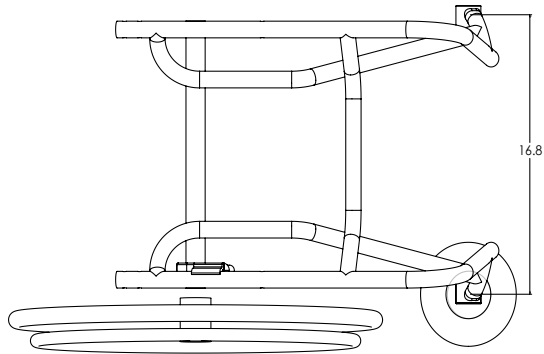
Indicated for ability to accurately assess accessibility, compatibility, and user configuration requirements at scale.

Available on:

TiLite TR, TiLite TRA, TiLite ZR, TiLite ZRA, TiLite Aero T, TiLite Aero Z, TiLite TX

Notes:

- Limited to TiFit Wheelchairs only.



Special Instructions

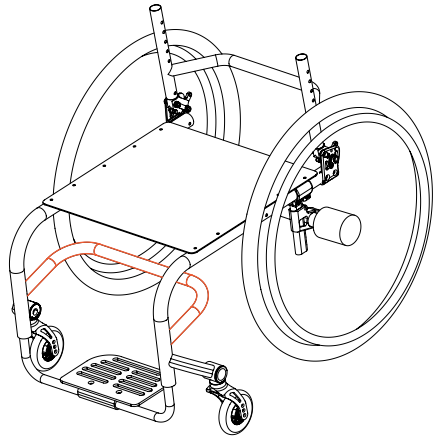


△ NOTE: Permobil's warranty does not cover Creative Mobility Division frames and frame components, unless Permobil determines that the frame or frame component was defectively manufactured.

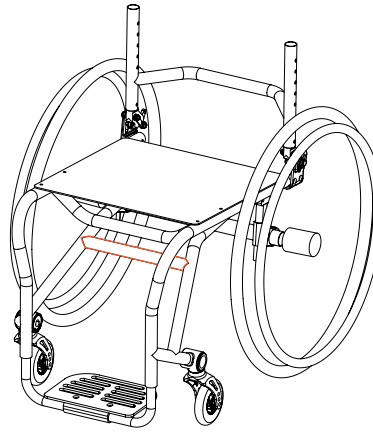
Front frame rigidizer bar CMD #70

EZ-Ti ID _____

PO# _____



Z-series



T-series

Clinical rationale

Modification indicated to enhance frame rigidity and help maintain frame alignment especially when utilizing two piece footplates or no footrests.

Available on:

TiLite TR, TiLite TRA, TiLite ZR, TiLite ZRA, TiLite Aero T, TiLite Aero Z

Notes:

- Only available for Rigid frames.
- Dimensions vary for T-series frames versus Z-series frames.
- May not work with all chair configurations.

Required information

(Insert required information for CMD-E to complete this request)

Standard Rigidizer Bar location:

For Z-series: 4"

For T-series: 4"

Unique bar placement

Rigidizer bar placement dimensions for T-chairs:

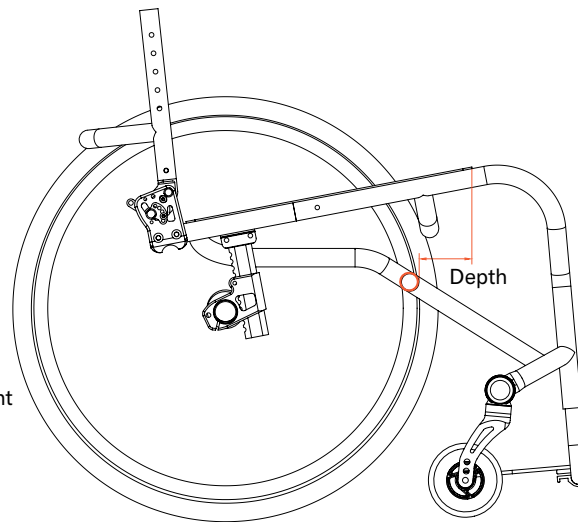
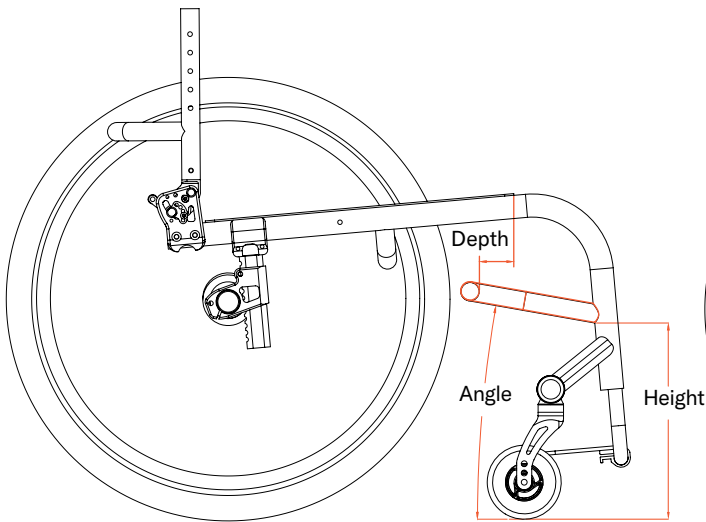
Depth: _____

Rigidizer Bar placement dimensions for Z-chairs:

Depth: _____

Height: _____

Angle: _____



Special Instructions



△ NOTE: Permobil's warranty does not cover Creative Mobility Division frames and frame components, unless Permobil determines that the frame or frame component was defectively manufactured.

One-arm drive, rigid chairs only

CMD #77

EZ-Ti ID _____

PO# _____

Clinical rationale

Modification indicated for users with one upper limb available for propulsion efforts. This handrim allows all steering operations to be performed using a double handrim on one side of the wheelchair.

Available on:

TiLite TRA, TiLite ZRA, TiLite Aero Z, TiLite Aero T, TiLite TWIST

Notes:

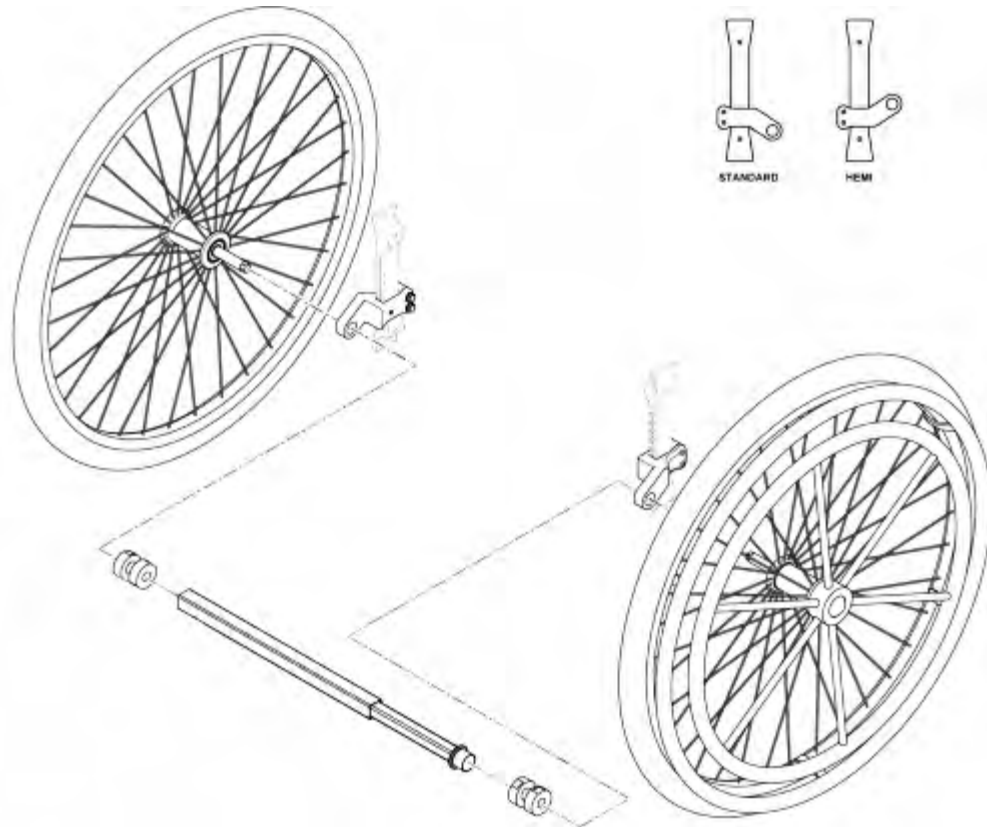
- Crutch Holders are not available with this adaptation.
- SMARTDRIVE IS NOT COMPATIBLE WITH THIS CMD UNLESS MODIFICATIONS ARE MADE.
- May not work on all configurations.
- Minimum seat width of 12".
- CE to ensure the chair, whether a new build or parts order, will lend itself to this adaptation.
- 0° camber only.
- The rear wheels will be mag with solid tread inserts.
- Denote which side will be the drive wheel side (the side the one arm will be pushing the handrims).
- Short tabs are NOT an option with this adaptation.

Required information

(Insert required information for CMD-E to complete this request)

Select the drive side for this option:

- Right-hand Side
 Left-hand Side



Special Instructions



△ NOTE: Permobil's warranty does not cover Creative Mobility Division frames and frame components, unless Permobil determines that the frame or frame component was defectively manufactured.

TX Series 1

CMD #81

EZ-Ti ID _____

PO# _____

Clinical rationale

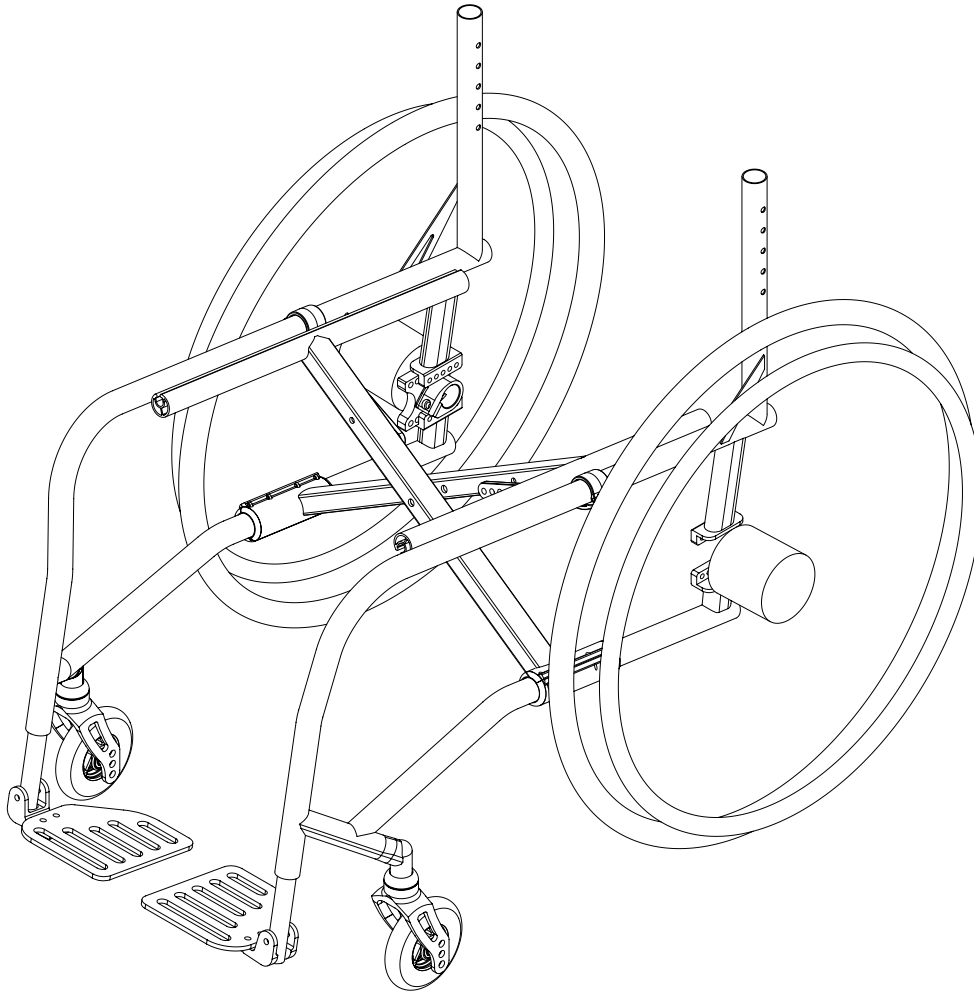
Modification indicated for individuals who require the legacy TX folding chair with fixed front end. This chair maintains custom configurability through TiFit.

Available on:

TiLite TX1

Notes:

- Signed CAD drawing required.
- Swing-away armrests and user-friendly anti-tips cannot go on the same chair.
- This is an updated version so if duplicating an existing TX1, the side frame profile will be different at the backrest.
- THE MINIMUM SEAT DEPTH FOR THIS CHAIR WILL BE 12".
- May not work on all configurations.



Special Instructions



△ NOTE: Permobil's warranty does not cover Creative Mobility Division frames and frame components, unless Permobil determines that the frame or frame component was defectively manufactured.

Sports wheelchair

CMD #90

EZ-Ti ID _____

PO# _____

Clinical rationale

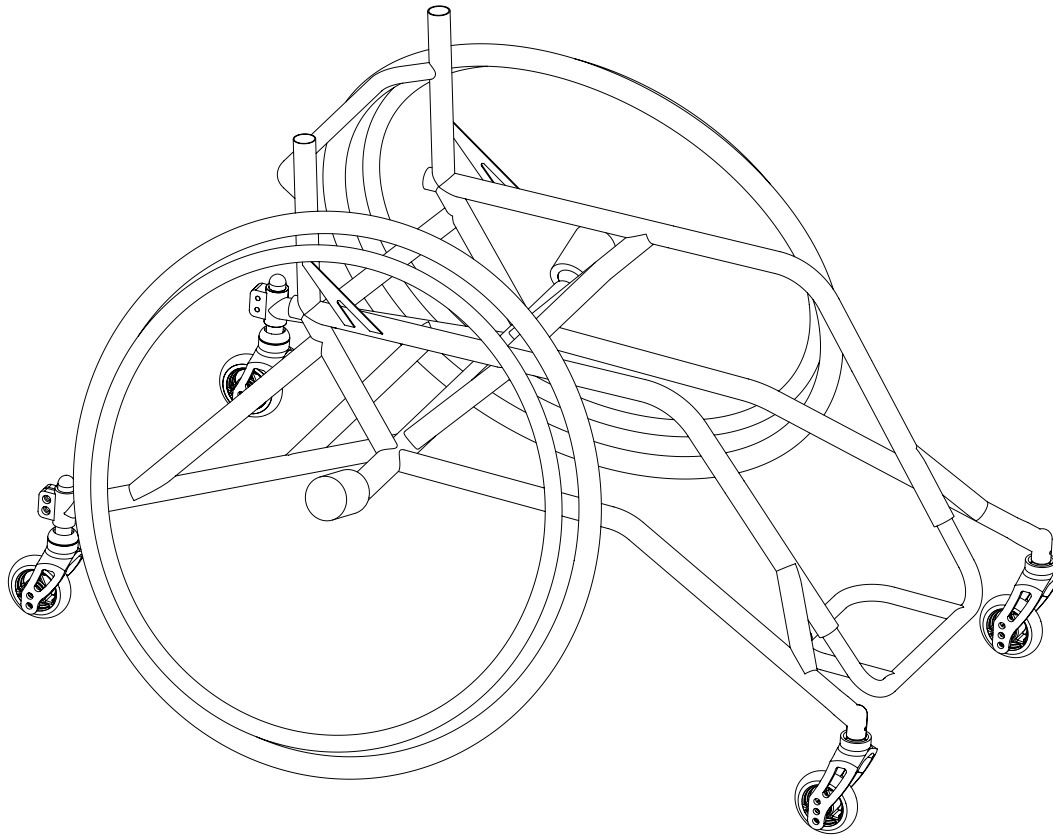
Rigid frame wheelchair designed specific to sport regulation requirements, designed to maximize participation and safety during sport event.

Available on:

TiLite TR variant

Notes:

- Case by case basis.
- See CMD Manager if requested.



Special Instructions



△ NOTE: Permobil's warranty does not cover Creative Mobility Division frames and frame components, unless Permobil determines that the frame or frame component was defectively manufactured.

TiLite manual wheelchairs | Creative Mobility Division

Backrest options



Unique adjustable-height, fold-down backrest CMD #9

EZ-Ti ID _____

PO# _____

Clinical rationale

This modification is indicated when a client needs a specific height on a fold-down backrest. Indication could be for individual positioning or to accommodate for a rigid aftermarket backrest hardware.

Available on:

TiLite TR, TiLite TRA, TiLite ZR, TiLite ZRA, TiLite Aero T, TiLite Aero Z, TiLite TWIST

Notes:

- Choose Aluminum or Titanium back on order form.
- Only available on Rigid Frames.
- The height adjustment range is 2 1/2" upwards from the specified height.
- Please round desired height to the nearest 1/2".
- May not work with all chair configurations.
- Max height is 4" over standard.

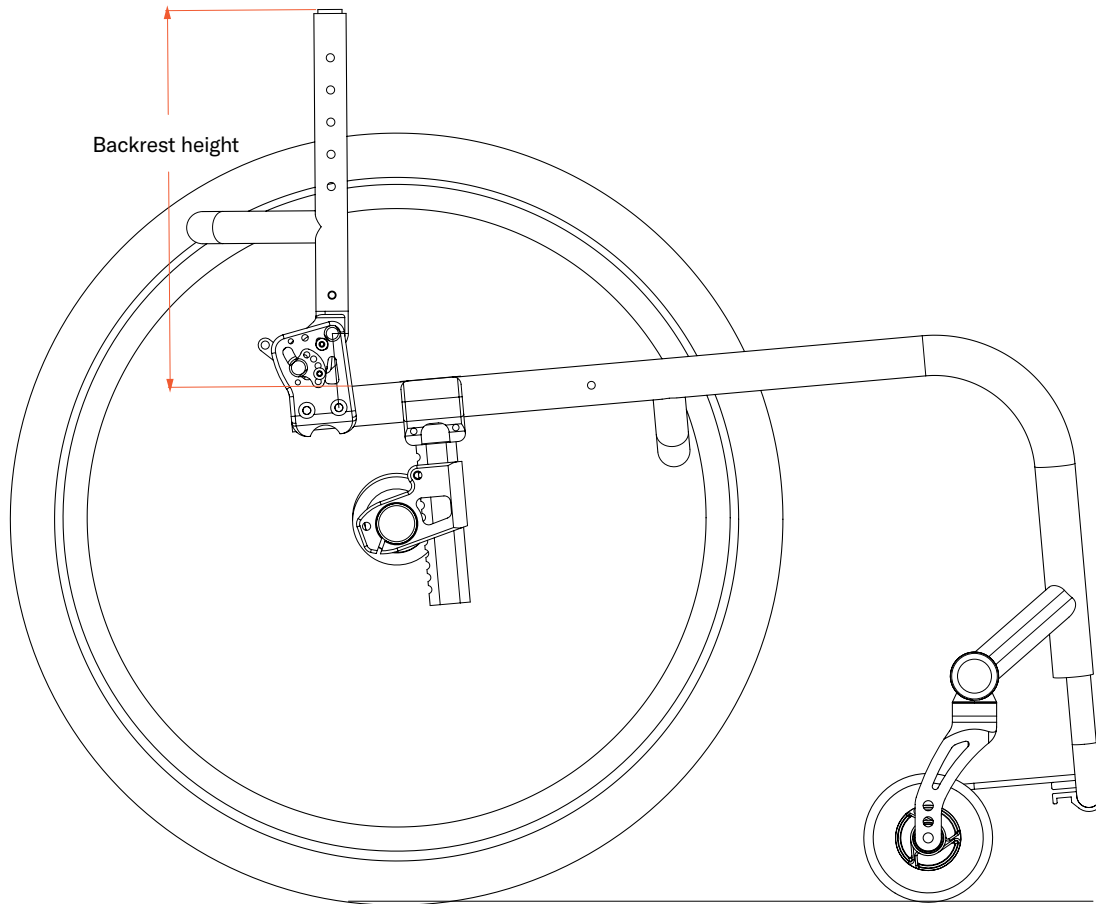
Required information

(Insert required information for CMD-E to complete this request)

Select one: Push handles OR No push handles

Backrest Height: _____

Backrest Range: _____



Special Instructions



△ NOTE: Permobil's warranty does not cover Creative Mobility Division frames and frame components, unless Permobil determines that the frame or frame component was defectively manufactured.

Fixed-height folding backrest CMD #17

EZ-Ti ID _____

PO# _____

Clinical rationale

This modification is indicated for individuals who know their exact back height, but also require their backrest to be folded down for transport.

Available on:

TiLite TR, TiLite TRA, TiLite ZR, TiLite ZRA, TiLite Aero T, TiLite Aero Z

Notes:

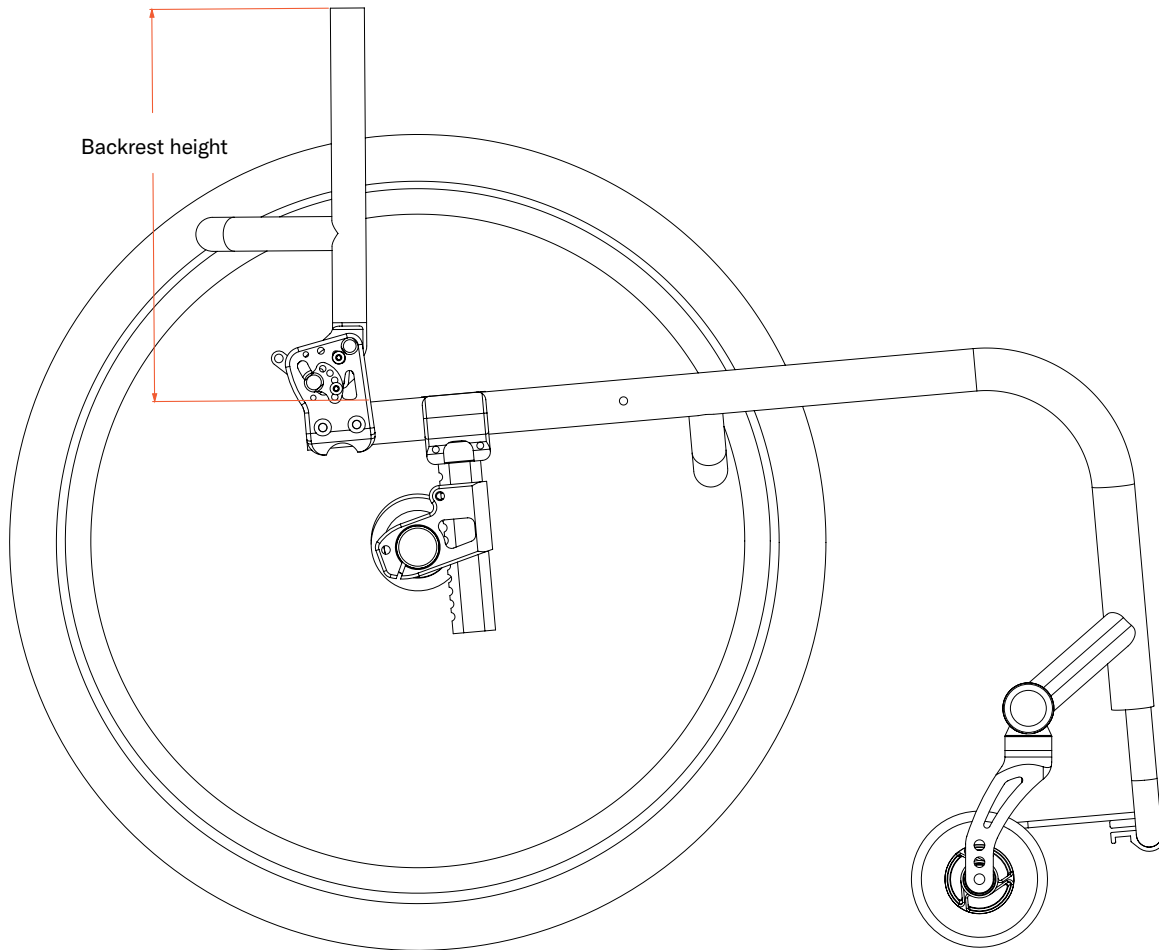
- Up to 4" taller than highest standard height is available.
- May not work with all chair configurations.

Required information

(Insert required information for CMD-E to complete this request)

Fixed height: _____

Select: Push handles OR No push handles



Special Instructions



△ NOTE: Permobil's warranty does not cover Creative Mobility Division frames and frame components, unless Permobil determines that the frame or frame component was defectively manufactured.

Adapted adj-height or fix-height on non-fold backrest CMD #19

EZ-Ti ID _____

PO# _____

Clinical rationale

Modification indicated for individuals who require a fixed/non-folding backrest, but require height adjustability in the posts or require a specific height that is not standard on the order form.

Available on:

TiLite TR, TiLite TRA, TiLite ZR, TiLite ZRA

Notes:

- Only available on Titanium frames.
- May not work with all chair configurations.
- It is recognized a non-folding backrest is available on some of the models mentioned above. However, this adaptation provides adjustable heights.
- Available with integrated or integrated fold-down push handles.
- Uprights will be made from 1" diameter x 0.051" wall-thickness titanium tubing.
- If a push handle is desired, select it on the order form/EZ-Ti.
- Minimum height is 9.5", Maximum height is 22".
- May not work with all chair configurations.
- Not available with Transit /Transport Tie-Downs.

Required information

(Insert required information for CMD-E to complete this request)

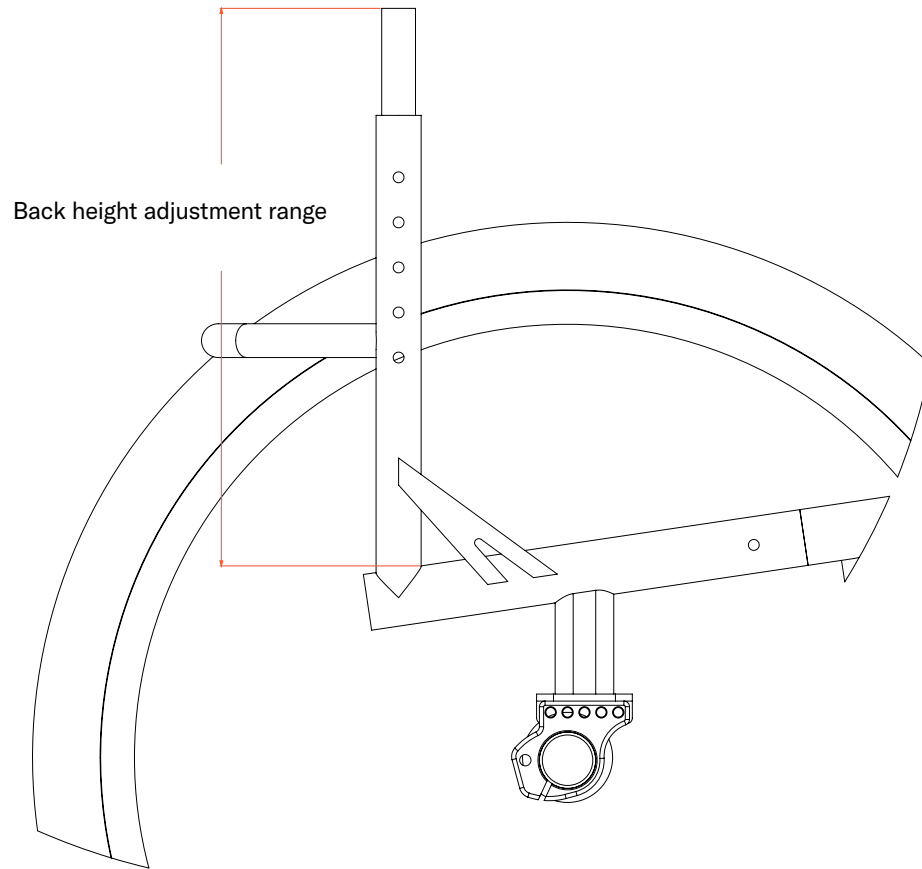
For Fixed Height:

Height to be set at: _____

For Adjustable Height:

Height Adjustment Range: _____ to _____

Height to Set at: _____



Back height adjustment range

Special Instructions



△ NOTE: Permobil's warranty does not cover Creative Mobility Division frames and frame components, unless Permobil determines that the frame or frame component was defectively manufactured.

Inward tapered backrest with adjustable or fixed height CMD #26

EZ-Ti ID _____

PO# _____

Clinical rationale

Modification indicated for individuals who present with more narrow shape at chest and shoulders than hip width.

Available on:

TiLite TR, TiLite TRA, TiLite ZR, TiLite ZRA, TiLite Aero T, TiLite Aero Z

Notes:

- Chair can have folding or non-folding backrest. The latter requires the chair to be a titanium model and may incur additional CMD charges.
- Whether a fixed height or adjustable height, the tapered backrest dimension indicated will be designed at the set-at backrest height the customer indicates.
- May not work on all configurations.
- Taper dimension changes as the seat back height is adjusted.
- Height of the rigidizer back bar may vary with the amount of taper.
- If integrated push handles are requested, certain height and taper ranges may require an adapted push handle and may incur additional CMD charges.

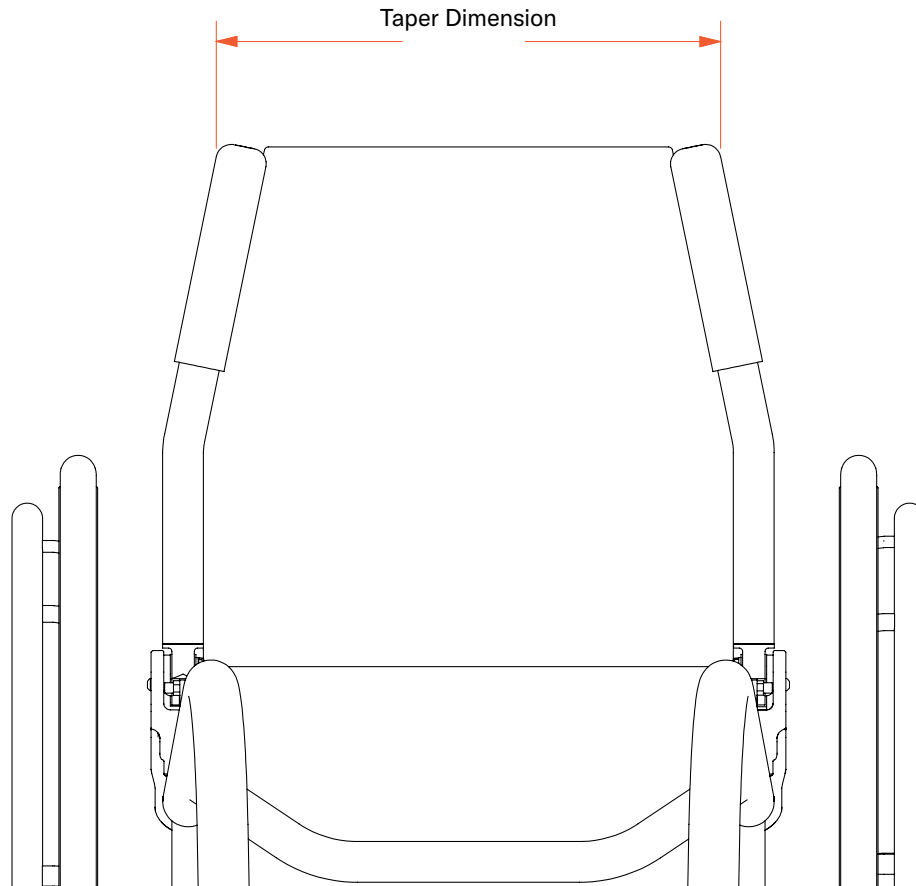
Required information

(Insert required information for CMD-E to complete this request)

Taper Dimension: _____

Set-at seat-back height: _____

If adjustable, the range desired: _____



Special Instructions



△ NOTE: Permobil's warranty does not cover Creative Mobility Division frames and frame components, unless Permobil determines that the frame or frame component was defectively manufactured.

Inward taper S-curve backrest with adjustable or fixed height CMD #27

EZ-Ti ID _____

PO# _____

Clinical rationale

Modification indicated for individuals who present with more narrow shape at chest and shoulders than hip width.

Available on:

TiLite TR, TiLite TRA, TiLite ZR, TiLite ZRA, TiLite Aero T, TiLite Aero Z

Notes:

- Chair can have folding or non-folding backrest. The latter requires the chair to be a titanium model and may incur additional CMD charges.
- May not work on all configurations.
- Height of the rigidizer back bar may vary with the amount of taper.
- If integrated push handles are requested, certain height and taper ranges may require an adapted push handle and may incur additional CMD charges.

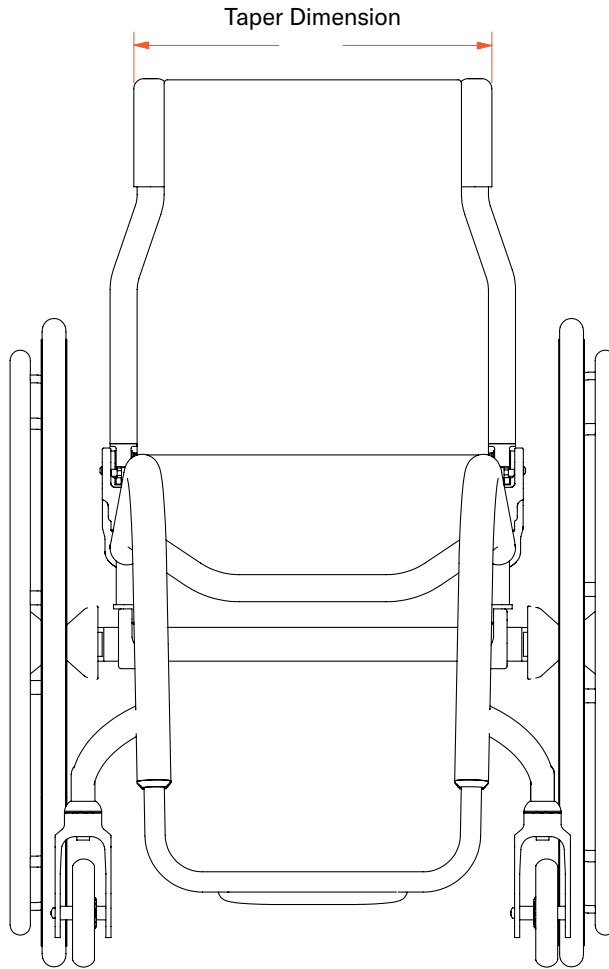
Required information

(Insert required information for CMD-E to complete this request)

Taper Dimension: _____

Set-at seat-back height: _____

If adjustable, the range desired: _____



Special Instructions

Outward taper S-curve backrest with adjustable or fixed height CMD #28

EZ-Ti ID _____

PO# _____

Clinical rationale

Modification indicated for individuals who present with more narrow shape at hip width than at the chest and shoulders.

Available on:

TiLite TR, TiLite TRA, TiLite ZR, TiLite ZRA, TiLite Aero T,
TiLite Aero Z

Notes:

- Must be a medium or tall range backrest.
- Chair can have folding or non-folding backrest. The latter requires the chair to be a titanium model and may incur additional CMD charges.
- Height of rigidizer bar may vary with the amount of taper and height.
- Outward tapered seat back may interfere with Swing-away Armrests. CMD-E to confirm clearance if Swing-away armrests are ordered.
- If integrated push handles are requested, certain height and taper ranges may require an adapted push handle and may incur additional CMD charges.
- May not work in certain chair configurations.

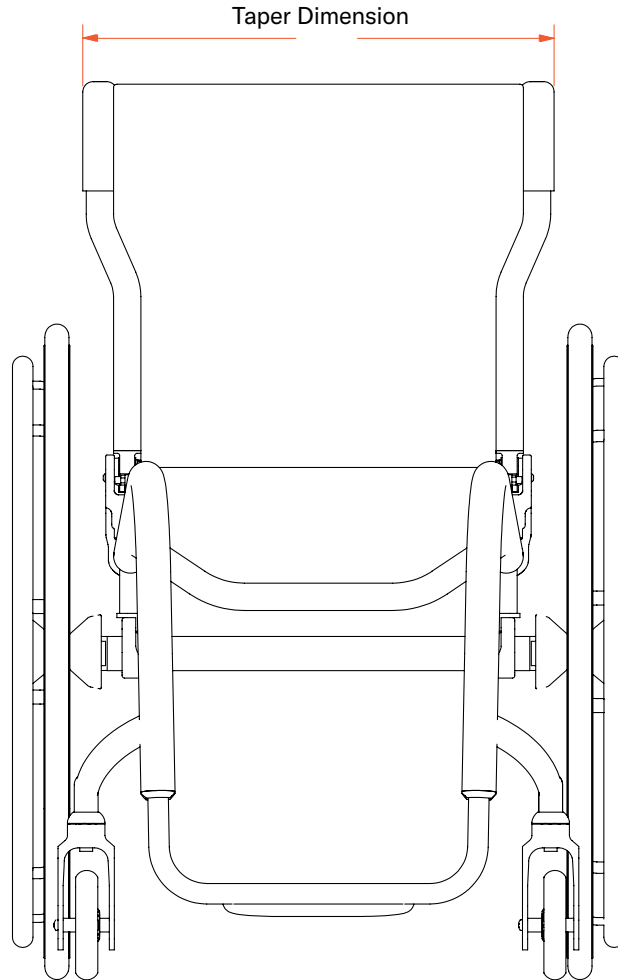
Required information

(Insert required information for CMD-E to complete this request)

Taper Dimension: _____

Set-at seat-back height: _____

If adjustable, the range desired: _____



Special Instructions



△ NOTE: Permobil's warranty does not cover Creative Mobility Division frames and frame components, unless Permobil determines that the frame or frame component was defectively manufactured.

Outward taper backrest with adjustable or fixed height CMD #29

EZ-Ti ID _____

PO# _____

Clinical rationale

Modification indicated for individuals who present with more narrow shape at hip width than at the chest and shoulders.

Available on:

TiLite TR, TiLite TRA, TiLite ZR, TiLite ZRA, TiLite Aero T, TiLite Aero Z

Notes:

- Available on rigid chairs only.
- Taper dimension changes as seat back height is adjusted.
- Height of rigidizer bar may vary with the amount of taper.
- May not work with all chair configurations.
- Outward taper may interfere with armrest or wheels; CMD-E to confirm clearances.
- Whether a fixed height or adjustable height, the outward-tapered backrest dimension indicated will be designed at the set-at backrest height the customer indicates.
- Chair can have folding or non-folding backrest. The latter requires the chair to be a titanium model and may incur additional CMD charges.
- If integrated push handles are requested, certain height and taper ranges may require an adapted push handle and may incur additional CMD charges.

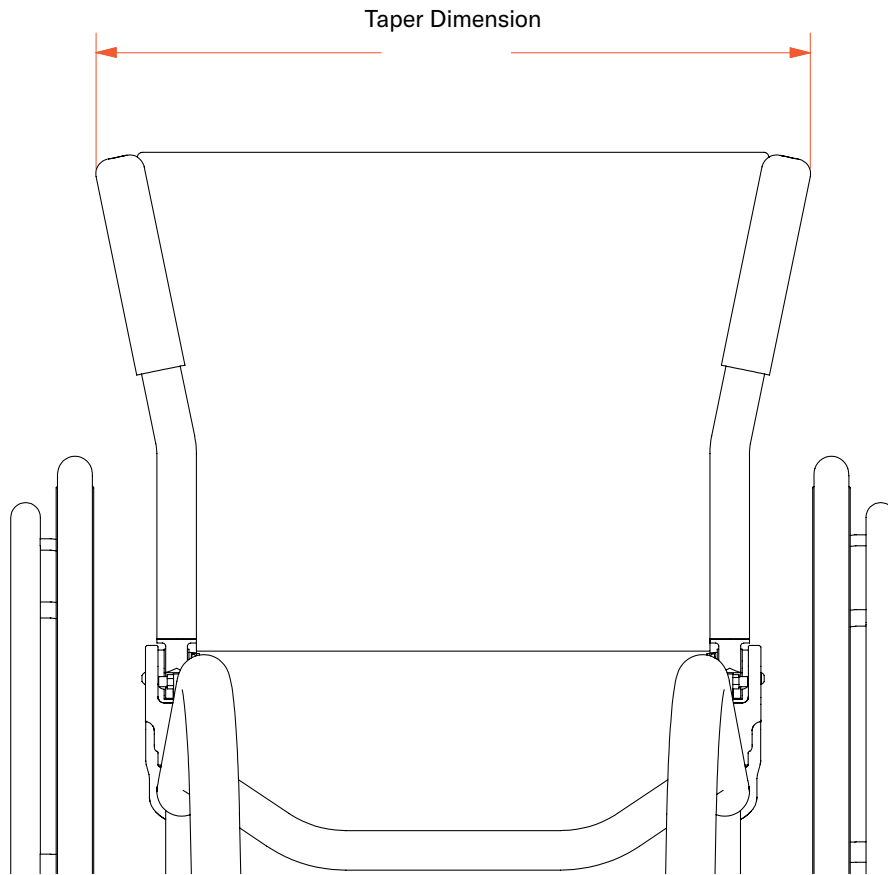
Required information

(Insert required information for CMD-E to complete this request)

Taper Dimension: _____

Set-at seat-back height: _____

If adjustable, the range desired: _____



Special Instructions



△ NOTE: Permobil's warranty does not cover Creative Mobility Division frames and frame components, unless Permobil determines that the frame or frame component was defectively manufactured.

Unique height/shaped backrest rigidizer bar CMD #85

EZ-Ti ID _____

PO# _____

Clinical rationale

Modification indicated to accommodate solid back support hardware placement or accommodate necessary seat-to-back angles to meet positioning needs.

Available on:

TiLite Aero Z, TiLite ZRA, TiLite ZR, TiLite Aero T, TiLite TRA, TiLite TR, TiLite TWIST, TiLite Rigid 2GX

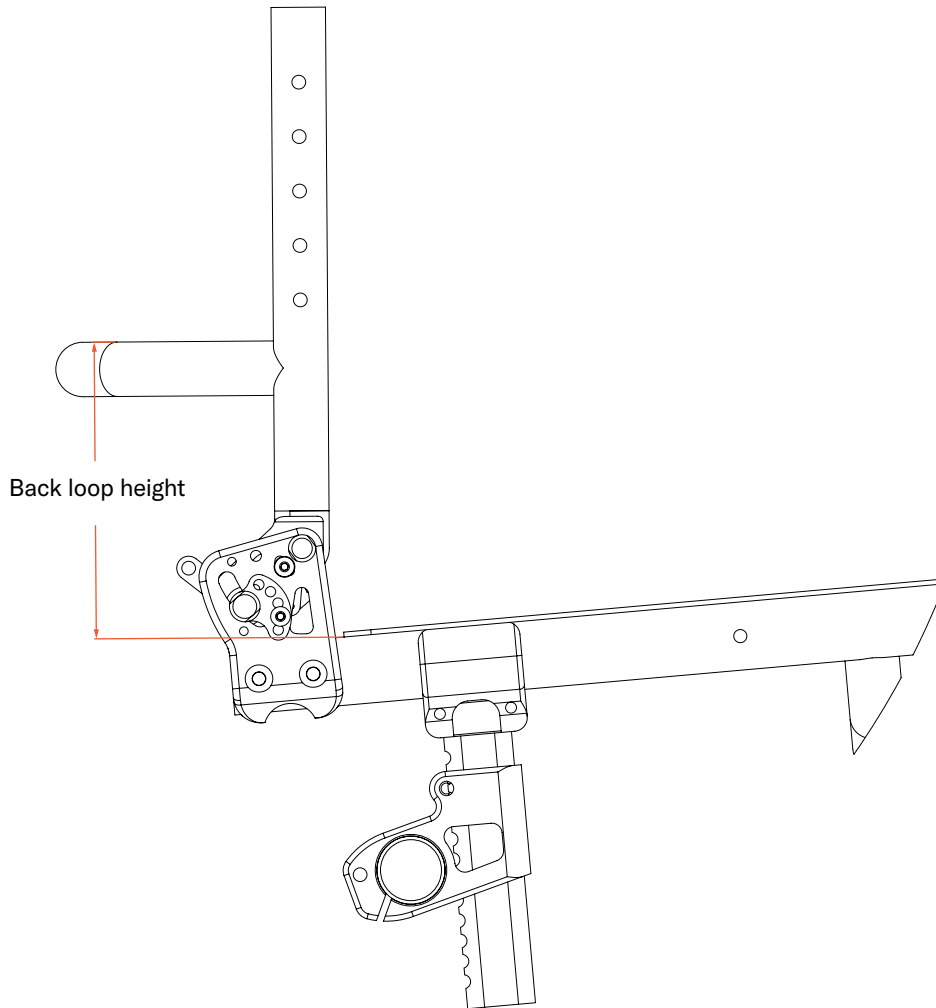
Notes:

For unique heights on folding backrests:

- From top of seat tube to top of rigidizer bar is a min of 4.5".
- From the top of the backrest frame to the top of the tube is a min of 3"

For Unique shape:

- Depth can be up to 6" from front edge of upright to front edge of rigidizer bar.
- The bends in the rigidizer bar will be limited to 90° bends.
- Unique depth bars will be bent not rounded.



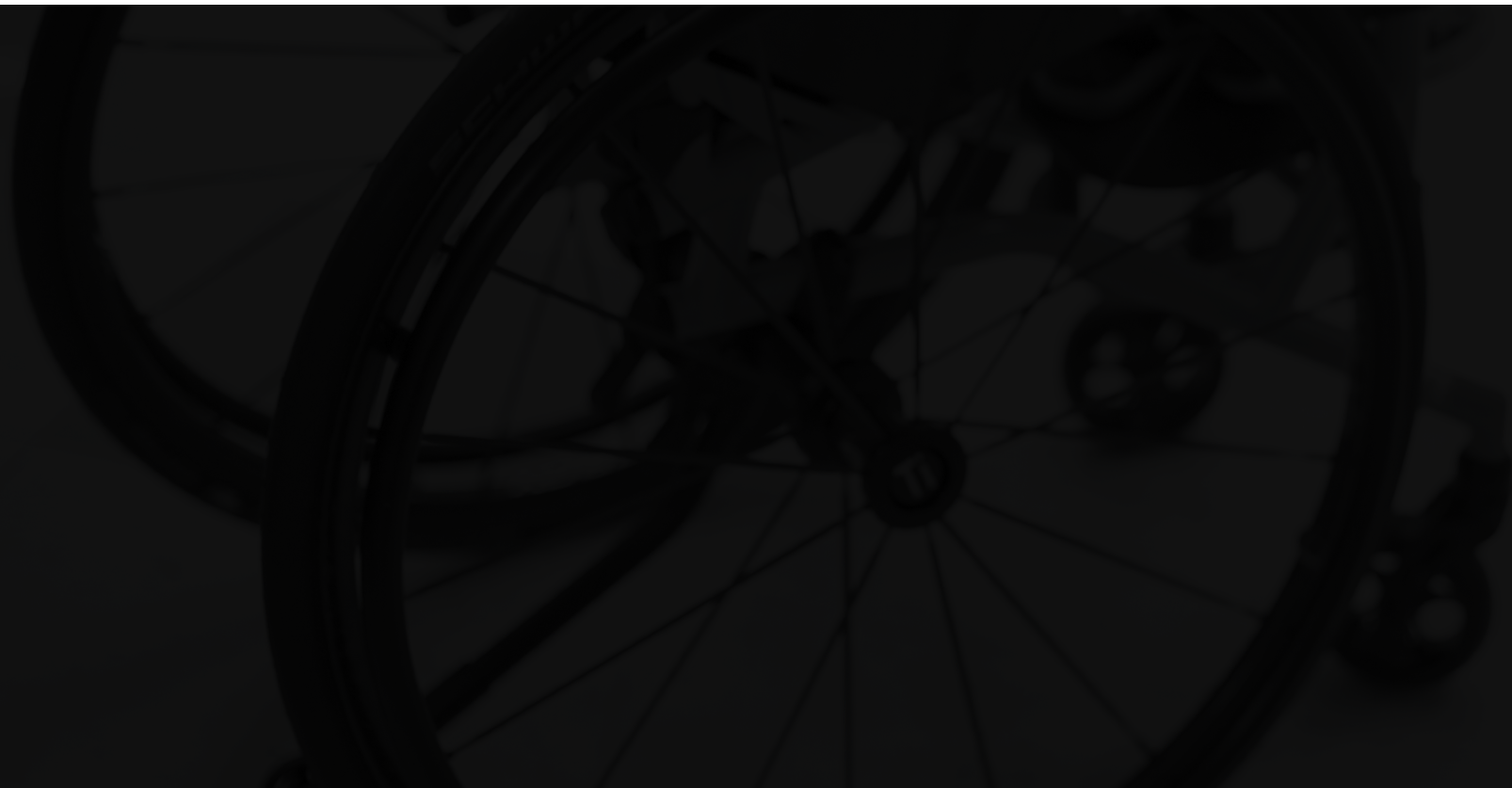
Special Instructions



△ NOTE: Permobil's warranty does not cover Creative Mobility Division frames and frame components, unless Permobil determines that the frame or frame component was defectively manufactured.

TiLite manual wheelchairs | Creative Mobility Division

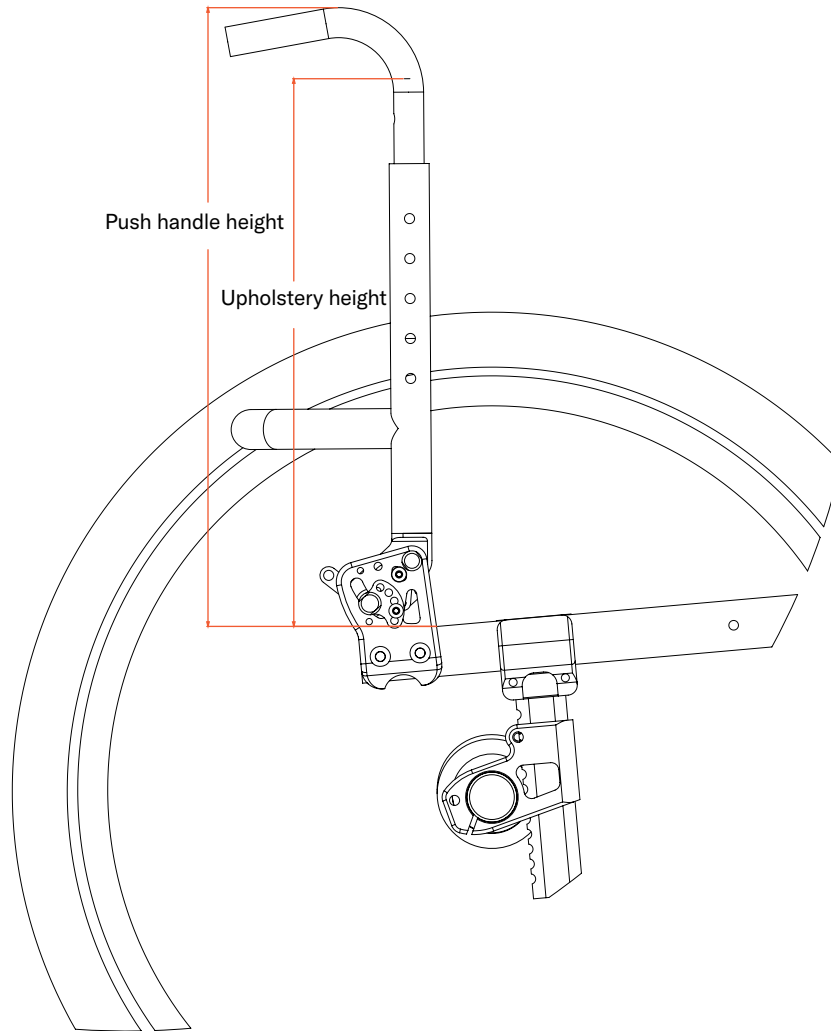
Push handle options



Unique size integrated push handles CMD #23

EZ-Ti ID _____

PO# _____



Clinical rationale

Modification is indicated for individuals who require the push handles 2.25" above the height of the upholstery. Indication may allow client to hook arm around push handles or may give caregiver the ability to easily push the chair when assistance is needed.

Available on:

TiLite TR, TiLite TRA, TiLite ZR, TiLite ZRA, TiLite Aero T, TiLite Aero Z, TiLite Aero X, TiLite 2GX

Notes:

- May not work with all chair configurations.

Required information

(Insert required information for CMD-E to complete this request)

Push-handle Height (from seat): _____

Upholstery Height (from seat): _____

Special Instructions



△ NOTE: Permobil's warranty does not cover Creative Mobility Division frames and frame components, unless Permobil determines that the frame or frame component was defectively manufactured.

Center mount push handle

CMD #44

EZ-Ti ID _____

PO# _____

Clinical rationale

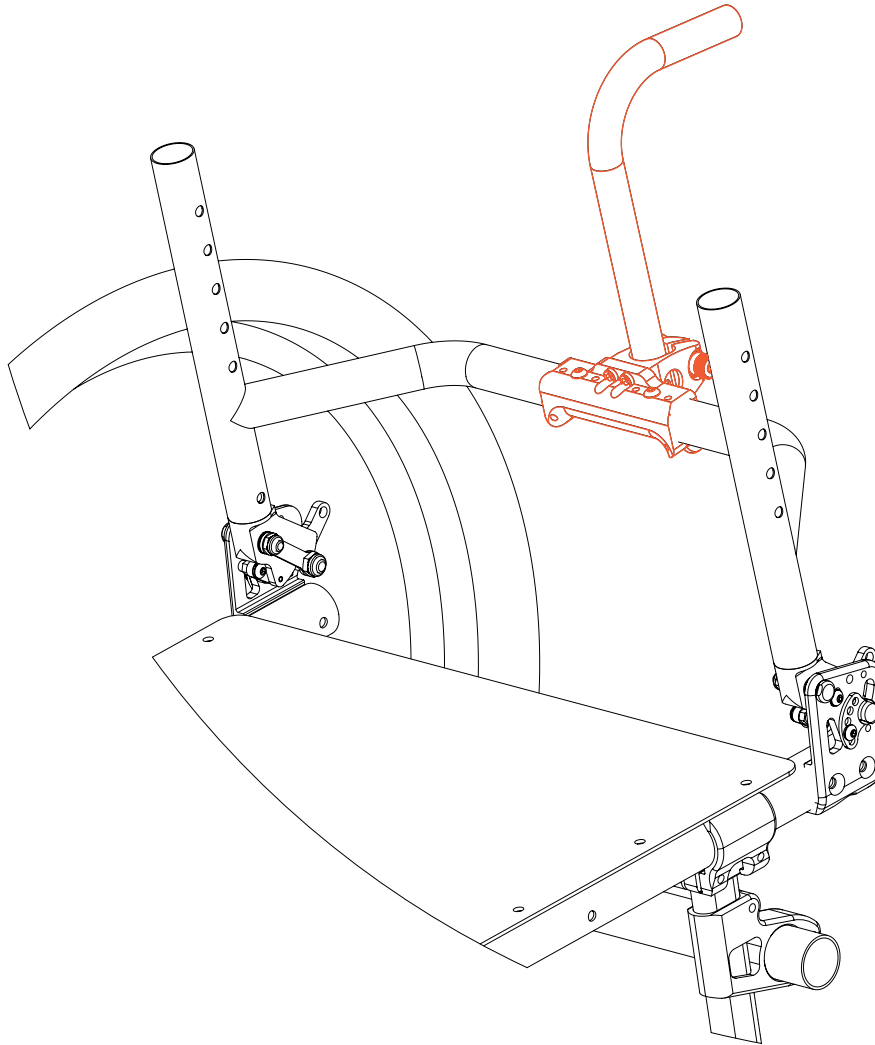
Modification indicated for individuals whose chair cannot accommodate dual push handles or to allow caregiver to walk alongside wheelchair while being pushed.

Available on:

TiLite TR, TiLite TRA, TiLite Aero T, TiLite ZR, TiLite ZRA, TiLite Aero Z

Notes:

- Only available on rigid chairs.
- Backrest rigidizer bar will be bent, not rounded.
- Backrest will be made from aluminum only.
- 165 lbs. weight limit.
- 15" wide chair is maximum.
- Push handle is height adjustable.
- May not work with all chair configurations.
- Max height is 4" over standard for push handle.
- If a parts order, a TWIST Backrest is required.

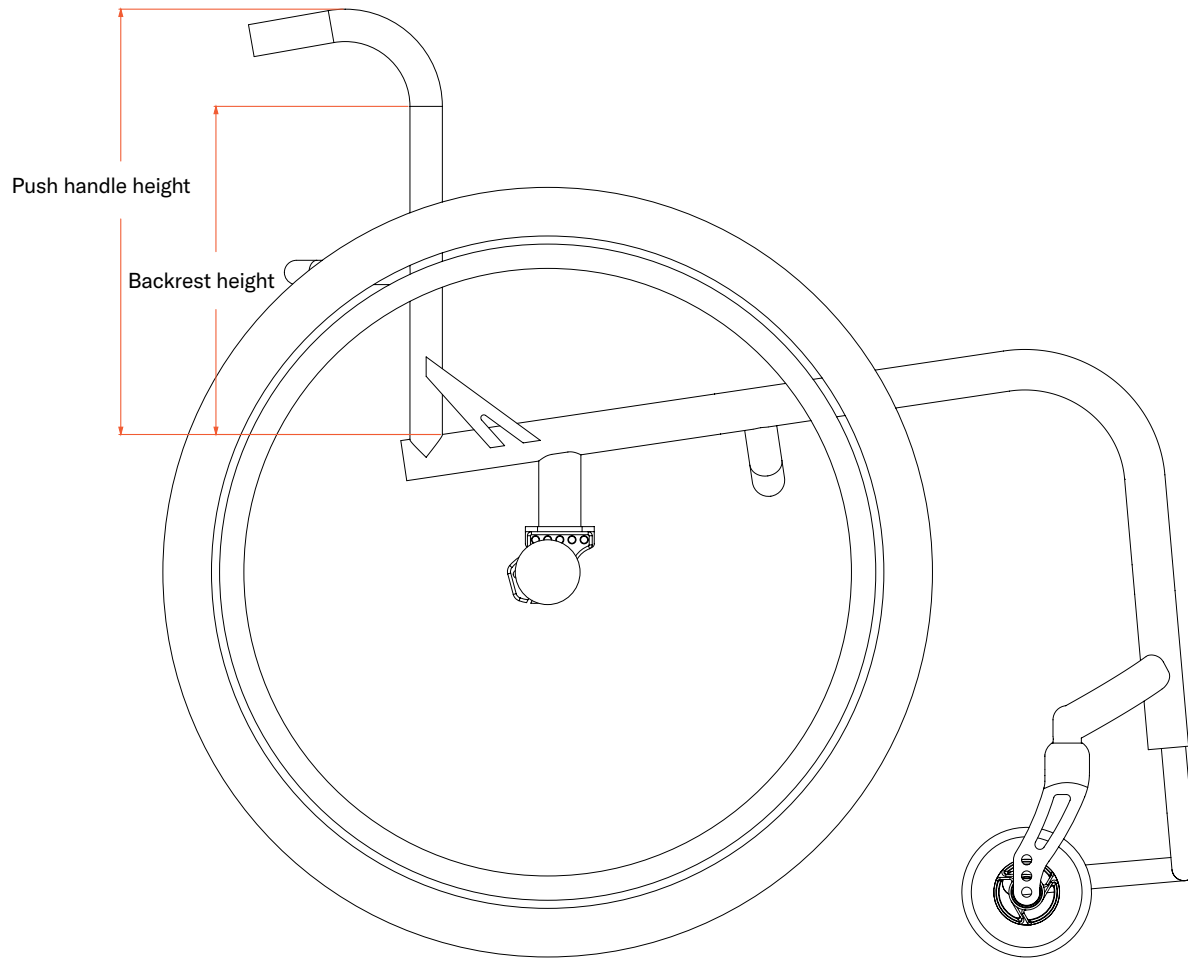


Special Instructions



△ NOTE: Permobil's warranty does not cover Creative Mobility Division frames and frame components, unless Permobil determines that the frame or frame component was defectively manufactured.

Fixed height back with 1" diameter push handles CMD #31



EZ-Ti ID _____

PO# _____

Clinical rationale

Modification indicated for individuals who have a fixed/non-folding backrest but also require push handles for propulsion assistance or for hooking.

Available on:

TiLite TR, TiLite TRA, TiLite ZR, TiLite ZRA, TiLite Aero T, TiLite Aero Z

Notes:

- Non-folding backrest option is not available with Transit Tie-Down Option nor Transport Bracket Option.
- Non-folding backrests only available on titanium models
- May not work with all chair configurations.

Required information

(Insert required information for CMD-E to complete this request)

Non-folding backrest (only available on titanium model wheelchairs)

OR

Folding backrest

Push-handle height (must be 2.75" taller than upholstery height) _____

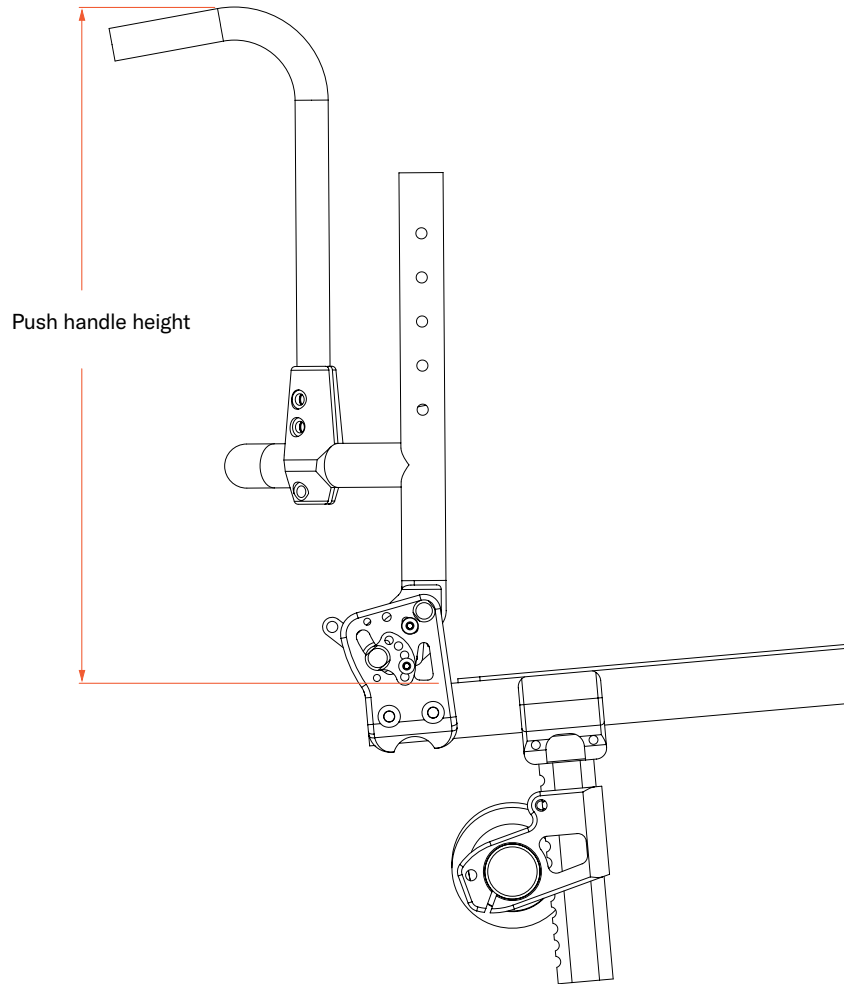
Backrest upholstery height _____

Special Instructions



△ NOTE: Permobil's warranty does not cover Creative Mobility Division frames and frame components, unless Permobil determines that the frame or frame component was defectively manufactured.

Non-adjustable adapted height bolt-on push handles CMD #63



EZ-Ti ID _____

PO# _____

Clinical rationale

Modification indicated for customized bolt-on push handle height to achieve improved access to push handles independent of rear seat-to-floor height configuration or limit functional interference.

Available on:

TiLite TR, TiLite TRA, TiLite ZR, TiLite ZRA, TiLite Aero Z, TiLite Aero T

Notes:

- May not work on all configurations.
- Chair requires a backrest with a bent (non-rounded) backrest rigidizer bar.
- Chairs with aluminum backrests that are 16" wide or wider, require HD Aluminum backrests.

Required information

(Insert required information for CMD-E to complete this request)

Height from seat tube to top of push handle: _____

Special Instructions

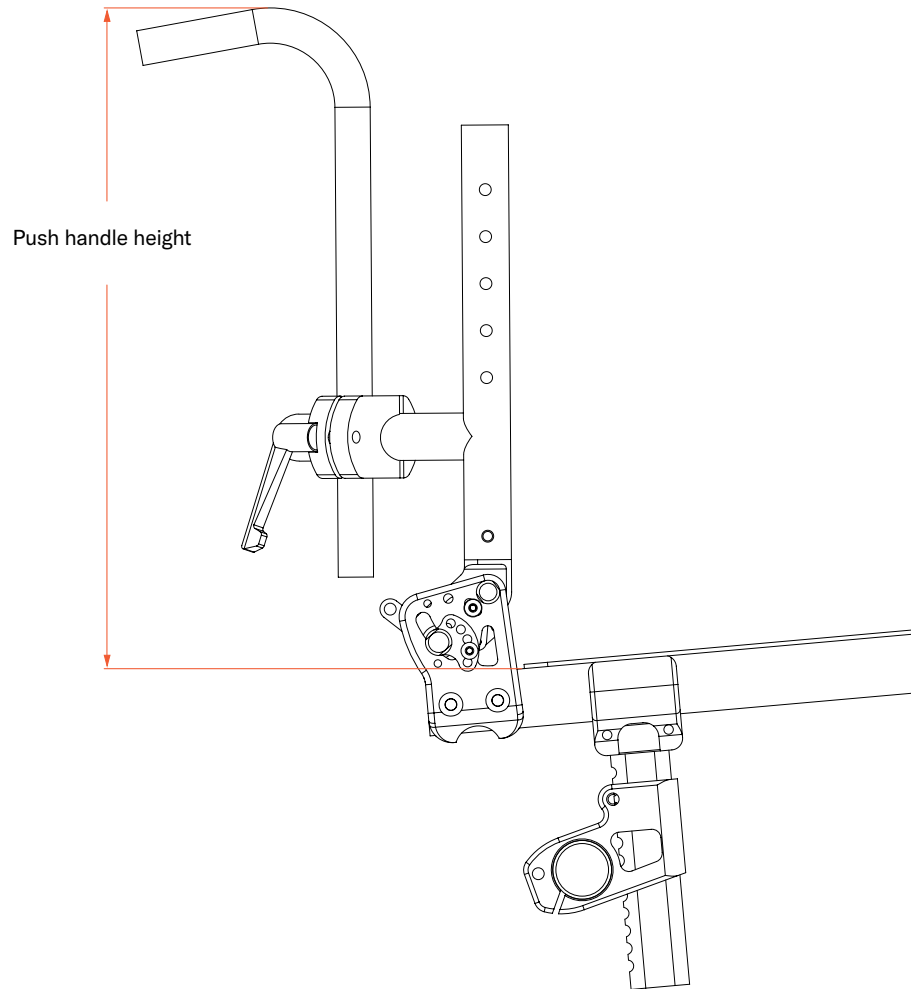


△ NOTE: Permobil's warranty does not cover Creative Mobility Division frames and frame components, unless Permobil determines that the frame or frame component was defectively manufactured.

Adapted adjustable height push handles CMD #64

EZ-Ti ID _____

PO# _____



Clinical rationale

Modification indicated for customized push handle height to achieve improved access to push handles and/or limit functional interference.

Available on:

TiLite TR, TiLite TRA, TiLite ZR, TiLite ZRA, TiLite Aero Z, TiLite Aero T, TiLite TWIST

Notes:

- May not work on all configurations.
- Chair requires a backrest with a bent (non-rounded) backrest rigidizer bar.
- Chairs with aluminum backrests that are 16" wide or wider, require HD Aluminum backrests.

Required information

(Insert required information for CMD-E to complete this request)

Height from seat tube to top of push handle: _____

Range desired: _____

Special Instructions



△ NOTE: Permobil's warranty does not cover Creative Mobility Division frames and frame components, unless Permobil determines that the frame or frame component was defectively manufactured.

TiLite manual wheelchairs | Creative Mobility Division

Footrest options

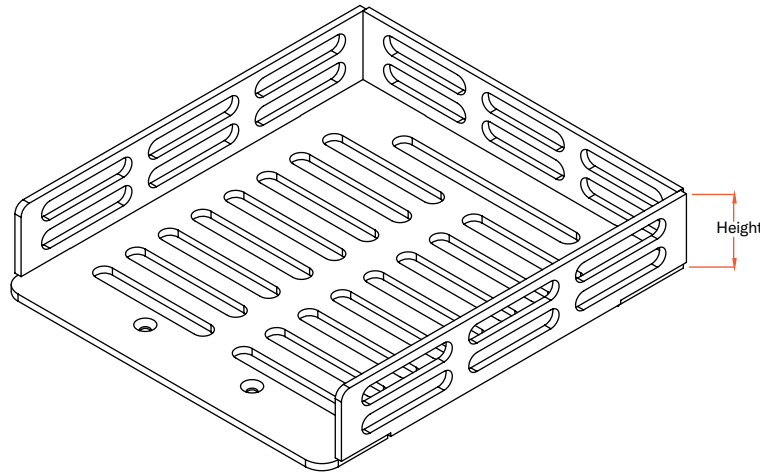
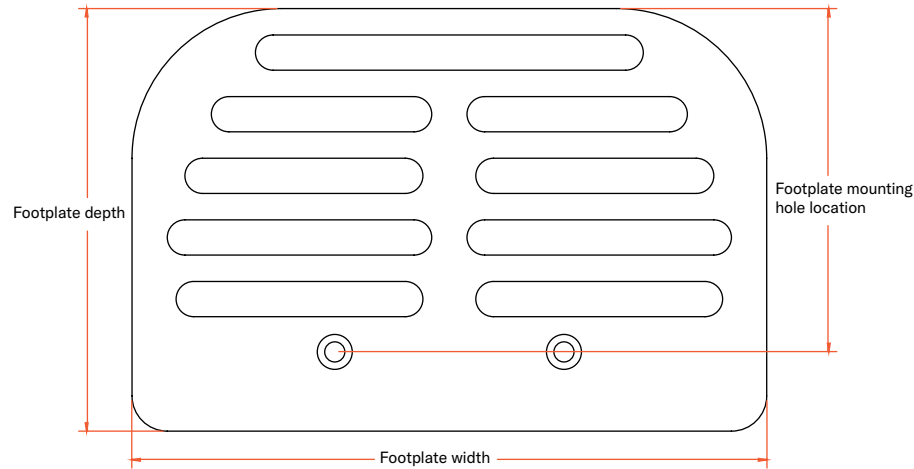


Adapted sized and shaped aluminum footplate

CMD #4

EZ-Ti ID _____

PO# _____



Clinical rationale

Modification indicated for clients who present with lower extremity positioning and shape that cannot be accommodated with the standard size footplate on the order form.

Available on:

TiLite TR, TiLite TRA, TiLite Aero T, TiLite ZR, TiLite ZRA, TiLite Aero Z, TiLite Aero X, TiLite 2GX, TiLite TWIST, TiLite TX1

Notes:

- Footplates that mount 9.5" or more from mounting location may require a strap to support the end of the footplate.
- Angle Adjustable footrests are limited to 4" extended footplate over the front of the clamp, 9.5" over the rear without strap
- Footplate slots are optional.
- For folding model wheelchairs, the footrest width will be limited to the 18" wide standard equivalent.
- May not work with all chair configurations.

Required information

(Insert required information for CMD-E to complete this request)

Width: _____ Depth: _____

Mounting-hole Location: _____

If side, heel or toe containment is wanted:

Height of wall supports: _____

Identify the locations of the containments:

Special Instructions



△ NOTE: Permobil's warranty does not cover Creative Mobility Division frames and frame components, unless Permobil determines that the frame or frame component was defectively manufactured.

Adapted footrest and/or front seat width CMD #8

EZ-Ti ID _____

PO# _____

Clinical rationale

Modification indicated for clients who have specific positioning needs for their lower extremities that are not indicated on the order form. This modification allows the clinician and the ATP to match the precise size of the client for optimal fit and performance.

Available on:

TiLite TR, TiLite TRA, TiLite ZR, TiLite ZRA, TiLite Aero T, TiLite Aero Z

Notes:

- May require a set of squared off extensions in some configurations.
- Footrest width must be at least 2" narrower than seat width on T-series chairs, and 2 1/2" narrower than seat width on Z-series chairs.
- May not work with all chair configurations.

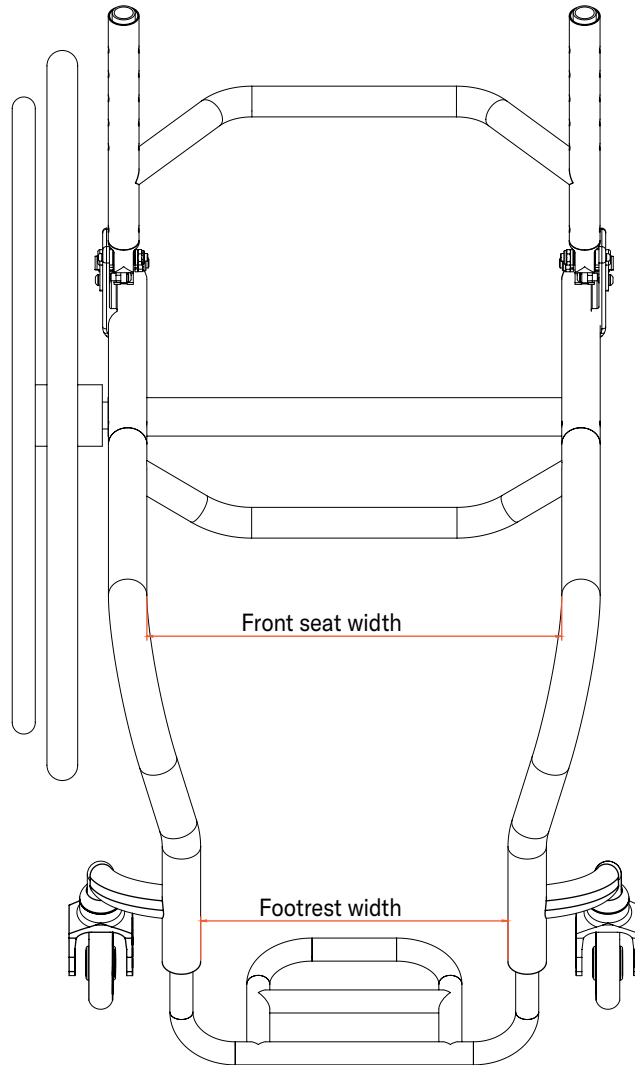
Required information

(Insert required information for CMD-E to complete this request)

Please round desired width to nearest 1/2"

Front seat width desired: _____

Footrest width desired: _____



Special Instructions



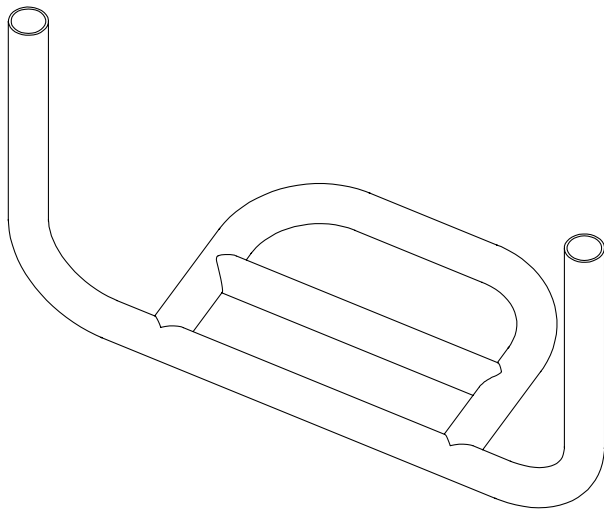
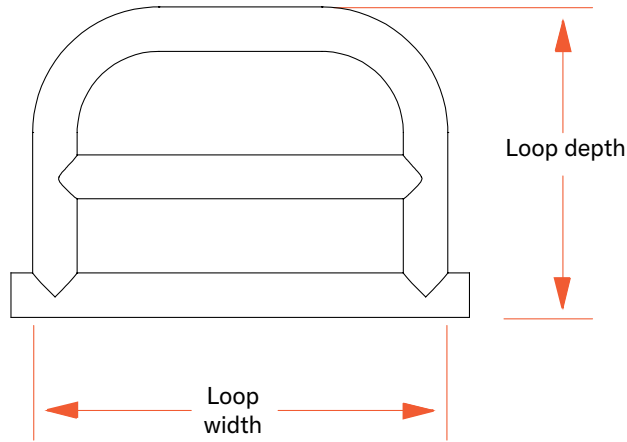
△ NOTE: Permobil's warranty does not cover Creative Mobility Division frames and frame components, unless Permobil determines that the frame or frame component was defectively manufactured.

Unique sized footrest loop

CMD #21

EZ-Ti ID _____

PO# _____



Clinical rationale

Modification indicated for individuals who require a unique sized foot loop to accommodate size and shape of feet and lower extremities.

Available on:

TiLite TR, TiLite TRA, TiLite ZR, TiLite ZRA, TiLite Aero T, TiLite Aero Z

Notes:

- Only available on Rigid Frames.
- Optional ABS cover (see CMD 050).
- Angle Adjustable option is not available with this adaptation (see CMD 004).
- May not work with all chair configurations.
- Footrest depths greater than 11" will need to be assessed on a case-by-case basis and may require a support strap

Required information

(Insert required information for CMD-E to complete this request)

Width: _____

Depth: _____

Special Instructions



△ NOTE: Permobil's warranty does not cover Creative Mobility Division frames and frame components, unless Permobil determines that the frame or frame component was defectively manufactured.

Multiple looped titanium footrest CMD #22

EZ-Ti ID _____

PO# _____

Clinical rationale

Modification indicated for individuals who require support anteriorly of the frame of the chair to address unique lower extremity positioning needs.

Available on:

TiLite TR, TiLite TRA, TiLite Aero T, TiLite ZR, TiLite ZRA, TiLite Aero Z

Notes:

- Not available with angle-adjustable footplate. (See CMD 4 for Angle Adjustable options).
- Available on rigid chairs only.
- Minimum front loop will be 2.25".
- This adaptation, without further diagram or instructions, is to call out a second loop that will be welded opposite of the standard loop of the footrest.
- Optional ABS cover (see CMD 50).
- Footrest depths greater than 11" will need to be assessed on a case-by-case basis and may require a support strap

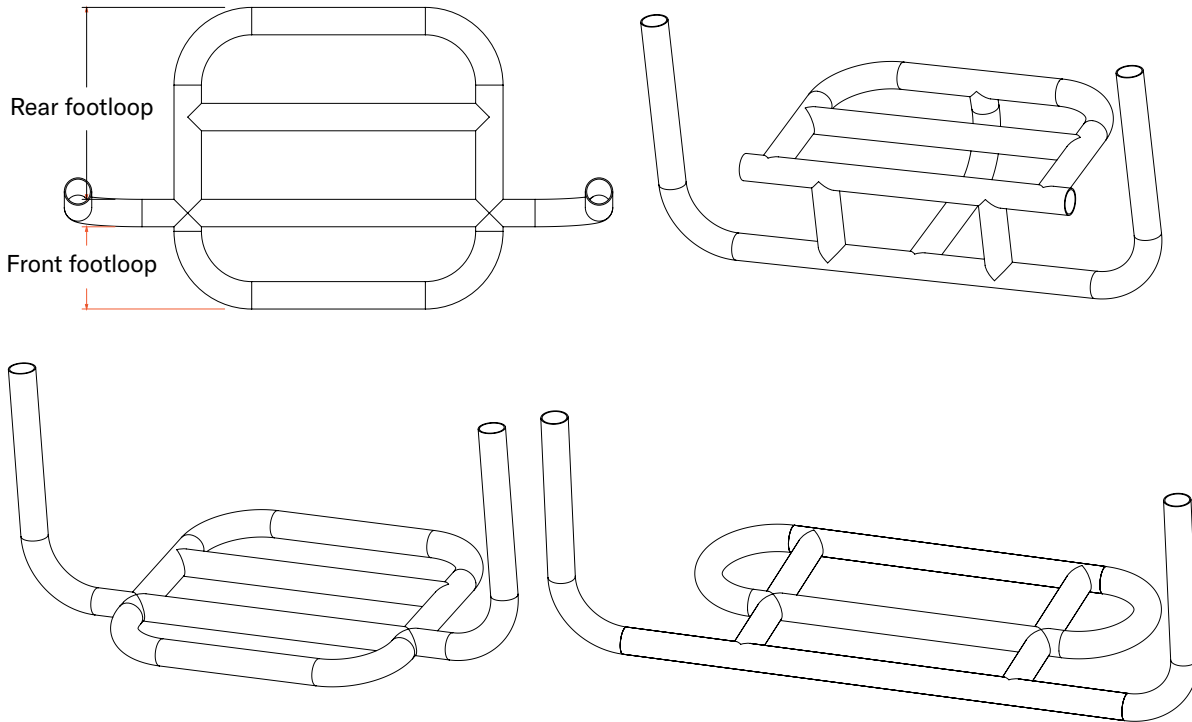
Required information

(Insert required information for CMD-E to complete this request)

Length in front of footrest: _____

Length behind footrest: _____

Diagram if needed:



Special Instructions

Nylon covered foam pad on footrest CMD #25

EZ-Ti ID _____

PO# _____

Clinical rationale

Modification is indicated for individuals who may be at increased risk of skin breakdown on their feet.

Available on:

TiLite TR, TiLite TRA, TiLite Aero T, TiLite ZR, TiLite ZRA, TiLite Aero Z, TiLite TWIST

Notes:

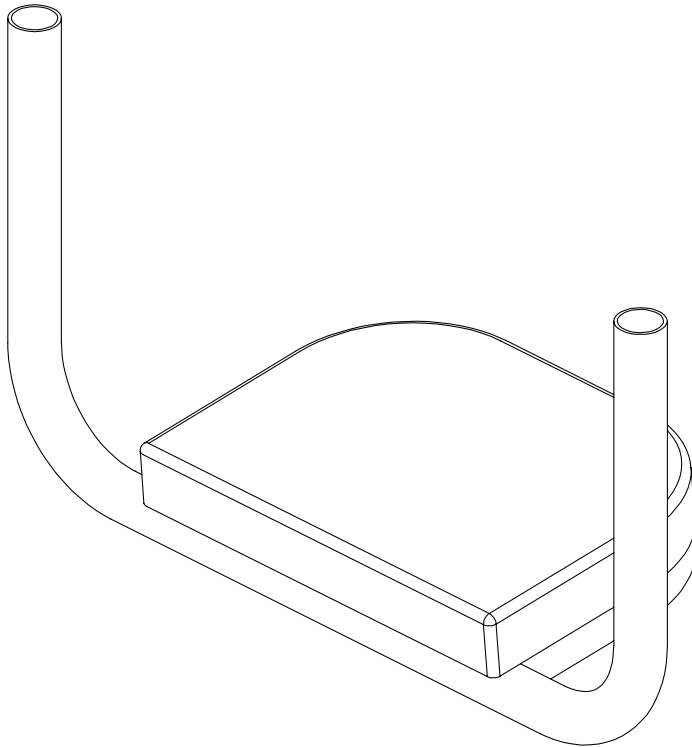
- Only available on Rigid chairs.
- Only available for Titanium w/ Flat ABS Cover or Angle Adjustable Footrests.
- Option of 1" or 2" Foam Pad.
- Foam Pad is covered with Ballistic Nylon.
- May not work with all chair configurations.

Required information

(Insert required information for CMD-E to complete this request)

Foam pad size: 1" OR 2"

Footrest dimensions: Width____ Depth____



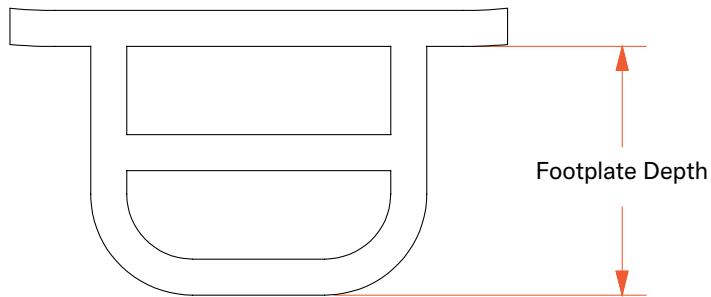
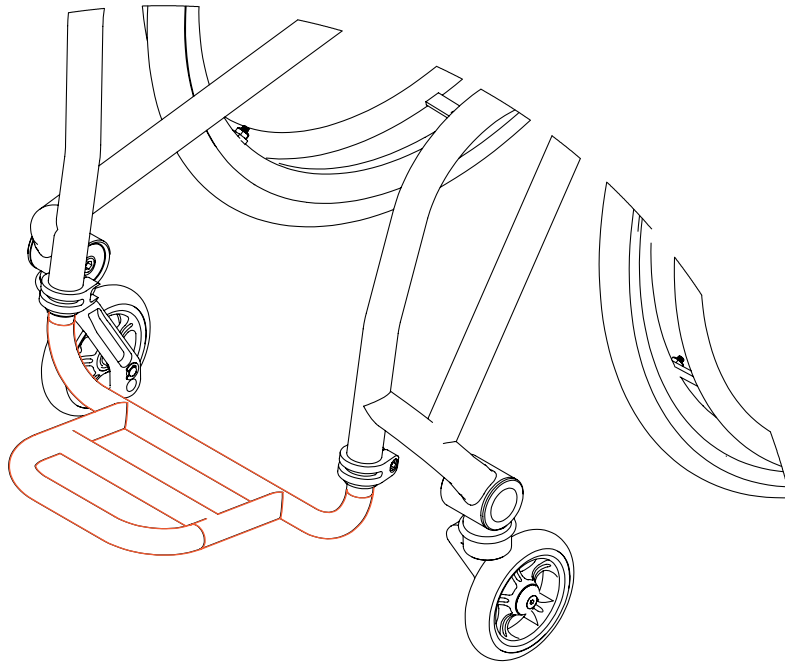
Special Instructions

Forward mounted footplate

CMD #30

EZ-Ti ID _____

PO# _____



Clinical rationale

Modification is indicated for individuals whose lower extremity positioning cannot be accommodated by combination of seat depth, frame depth and front angle bend.

Available on:

TiLite TR, TiLite TRA, TiLite ZR, TiLite ZRA, TiLite Aero T, TiLite Aero Z

Notes:

- Available on rigid chairs only.
- Can be:
 - Angle Adjustable (no charge).
 - Titanium w/ Flat ABS cover.
 - Titanium Open Loop.
- May not work with all chair configurations.

Special Instructions



△ NOTE: Permobil's warranty does not cover Creative Mobility Division frames and frame components, unless Permobil determines that the frame or frame component was defectively manufactured.

No footplates on rigid models CMD #32

EZ-Ti ID _____

PO# _____

Clinical rationale

Modification is indicated for individuals who utilize a bilateral lower extremity propulsion technique and require the benefits of a rigid frame manual wheelchair.

Available on:

TiLite TR, TiLite TRA, TiLite ZR, TiLite ZRA, TiLite Aero T, TiLite Aero Z

Notes:

- Signed CAD drawing required.
- Front Frame Rigidizer Bar is required.
- Rigidizer Bar shapes are different for T-series vs. Z-series chairs.
- May not work with all chair configurations.
- Standard Rigidizer Bar location: For Z-series: 4", For T-series: 4" as shown

Required information

(Insert required information for CMD-E to complete this request)

Rigidizer Bar placement dimensions for T-chairs:

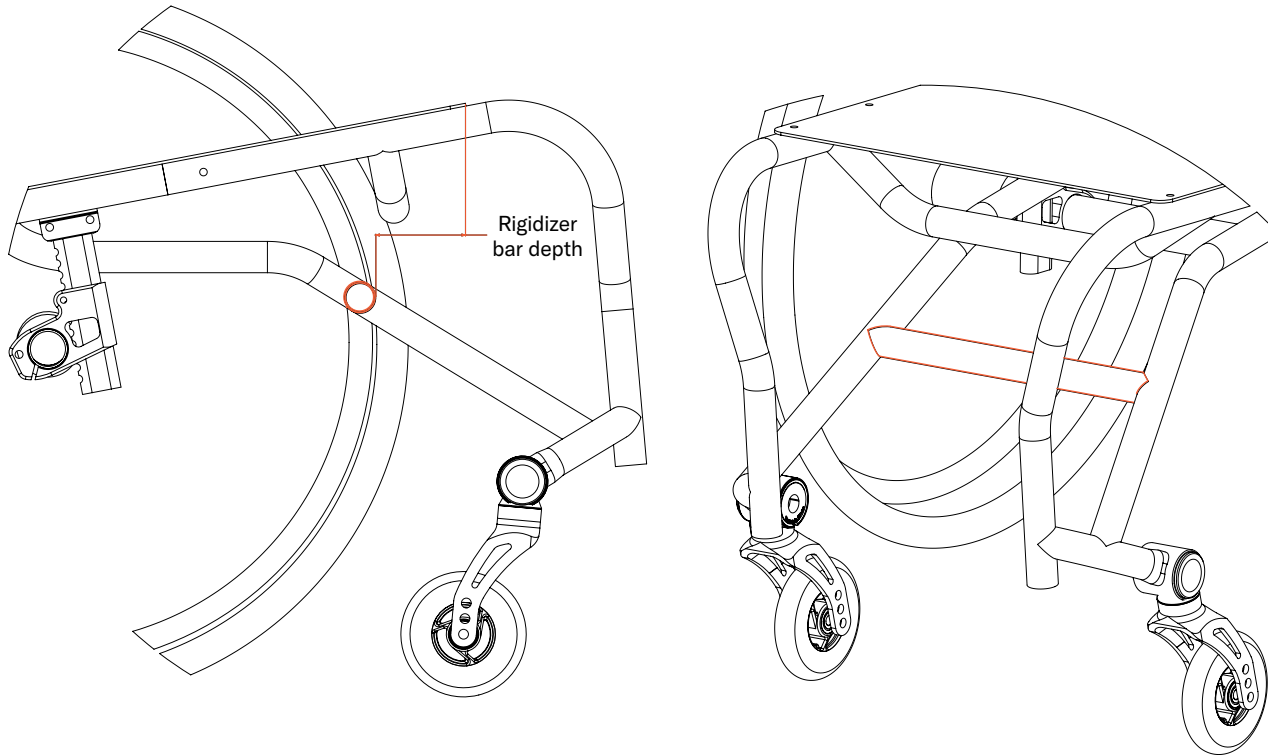
Depth: _____

Rigidizer Bar placement dimensions for Z-chairs:

Depth: _____

Height: _____

Angle: _____



Special Instructions



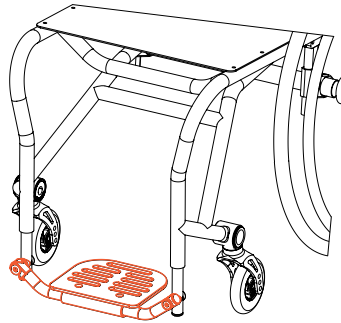
△ NOTE: Permobil's warranty does not cover Creative Mobility Division frames and frame components, unless Permobil determines that the frame or frame component was defectively manufactured.

One piece flip-up footplate on rigid and folding chairs CMD #35

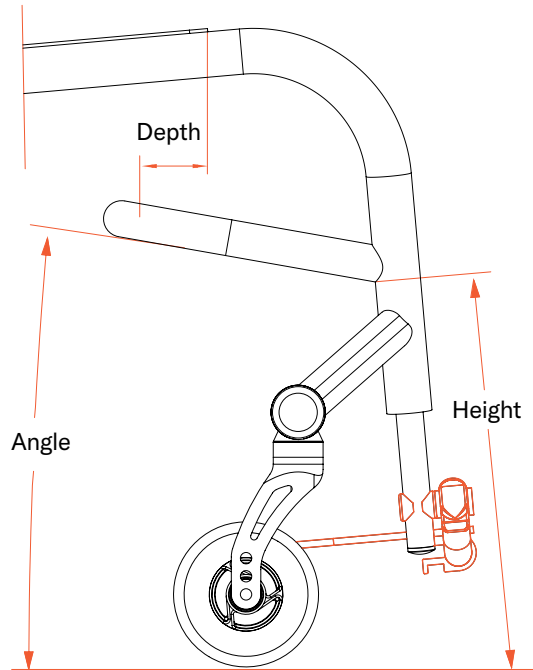
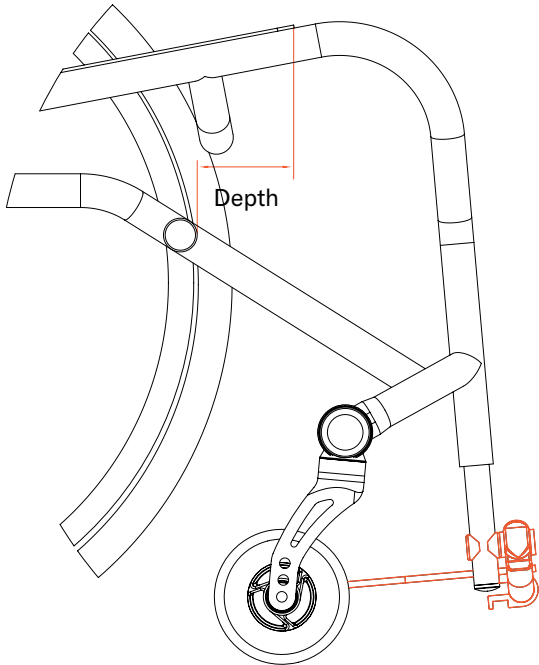
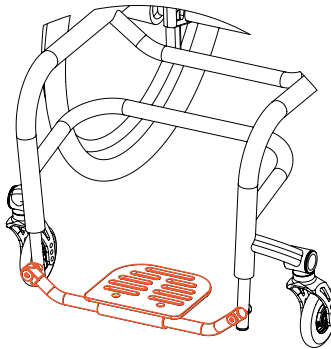
EZ-Ti ID _____

PO# _____

T-chairs



Z-chairs



Clinical rationale

Modification indicated for people who may require footplate to flip up in order to get feet on the ground, ie, a stand-pivot transfer.

Available on:

TiLite TR, TiLite TRA, TiLite ZR, TiLite ZRA, TiLite Aero T, TiLite Aero Z

Notes:

- Front frame rigidizer bar is required.
- Angle Adjustable footplate only.
- Signed CAD needed.
- Rigidizer Bar shapes are different for T-series vs. Z-series chairs.
- Aero Z chairs will have these footrests clamped to the front of the frame.
- May not work with all chair configurations.
- Standard Rigidizer Bar location:
For Z-series: 4", For T-series: 4" as shown

Required information

(Insert required information for CMD-E to complete this request)

Flip-up footplate pivot on : Right OR Left

Standard Rigidizer Bar location: For Z-series: 4", For T-series: 4"

Custom Rigidizer Bar

Rigidizer Bar placement dimensions for T-chairs:

Depth: _____

Rigidizer Bar placement dimensions for Z-chairs:

Depth: _____ Height: _____ Angle: _____

Special Instructions

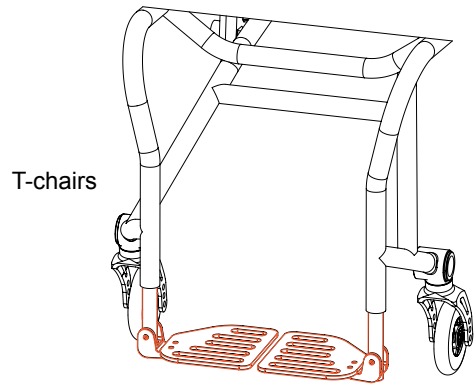


△ NOTE: Permobil's warranty does not cover Creative Mobility Division frames and frame components, unless Permobil determines that the frame or frame component was defectively manufactured.

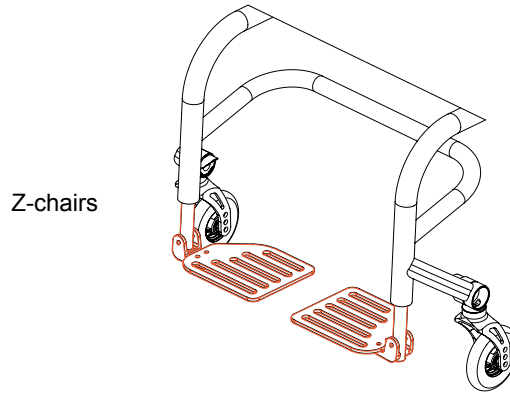
Two piece flip-up footplates CMD #40

EZ-Ti ID _____

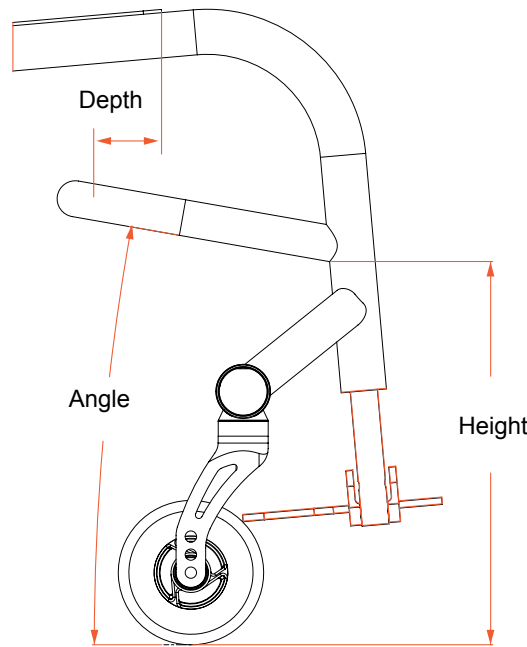
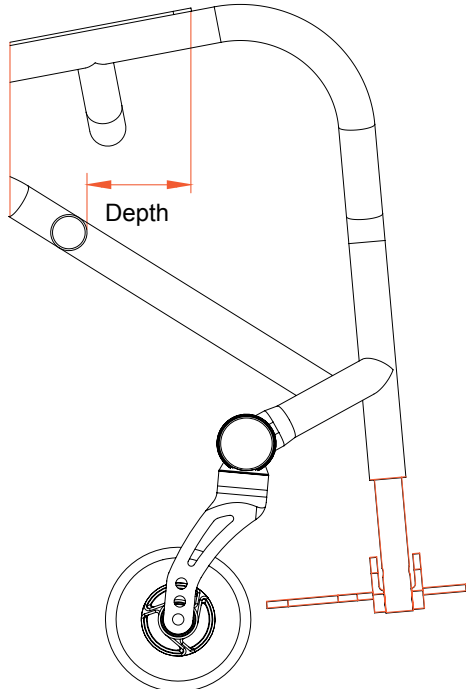
PO# _____



T-chairs



Z-chairs



Clinical rationale

Modification indicated for individuals who present unique foot positioning in a rigid chair that cannot be accommodated via one piece footplate.

Available on:

TiLite TR, TiLite TRA, TiLite ZR, TiLite ZRA, TiLite Aero T, TiLite Aero Z

Notes:

- Front rigidizer bar is required.
- Footrests will be aluminum powder coated black.
- Signed CAD needed.
- Rigidizer Bar shapes are different for T-series vs. Z-series chairs.
- Aero Z footrests will be clamped to front of frame. Not available with V-front end.
- May not work with all chair configurations.
- Standard Rigidizer Bar location:
For Z-series: 4", For T-series: 4" as shown

Required information

(Insert required information for CMD-E to complete this request)

Footrest Type (Select one):

- Standard Flip-up Angle Adjustable Flip-up
 Depth Adjustable Flip-up Depth and Angle Adjustable Flip-up

Rigidizer Bar placement dimensions for T-chairs: Depth: _____

Rigidizer Bar placement dimensions for Z-chairs:

Depth: _____ Height: _____ Angle: _____

Special Instructions



△ NOTE: Permobil's warranty does not cover Creative Mobility Division frames and frame components, unless Permobil determines that the frame or frame component was defectively manufactured.

Unique sized footrest risers CMD #42

EZ-Ti ID _____

PO# _____

Clinical rationale

Modification indicated to provide support for individuals that have a lower leg length that standard footrest height will not accommodate.

Available on:

TiLite TR, TiLite TRA, TiLite ZR, TiLite ZRA, TiLite Aero T, TiLite Aero Z

Notes:

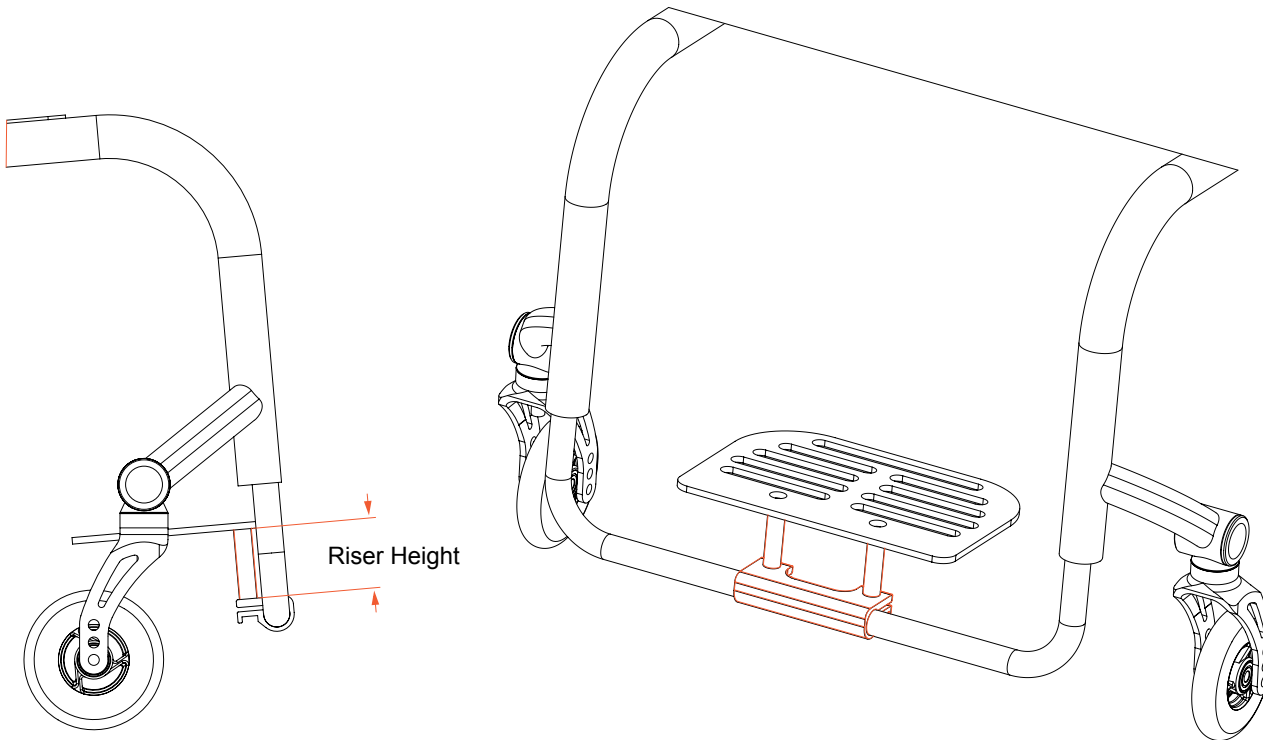
- Only available on Rigid Frames with angle-adjustable footrests.
- Not available on flip-back or titanium ABS/Open Loop footrest options.
- Maximum footrest riser height is 8" under this CMD.
- Sufficient Front-seat height needed (confirmed by CME)
- May not work with all chair configurations.

Required information

(Insert required information for CMD-E to complete this request)

Riser height (in 1" increments):

1" 3" 5" Other _____



Special Instructions

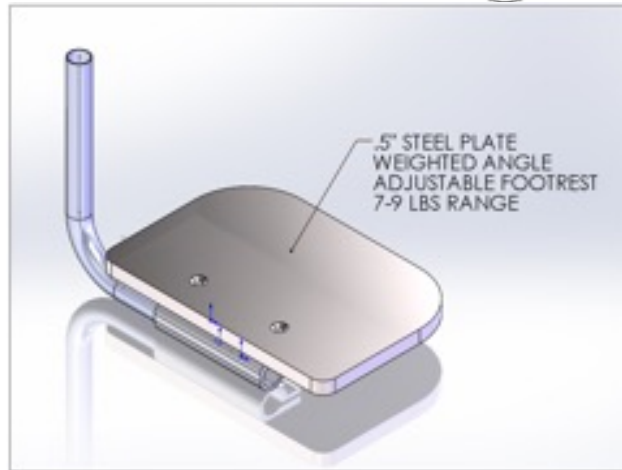
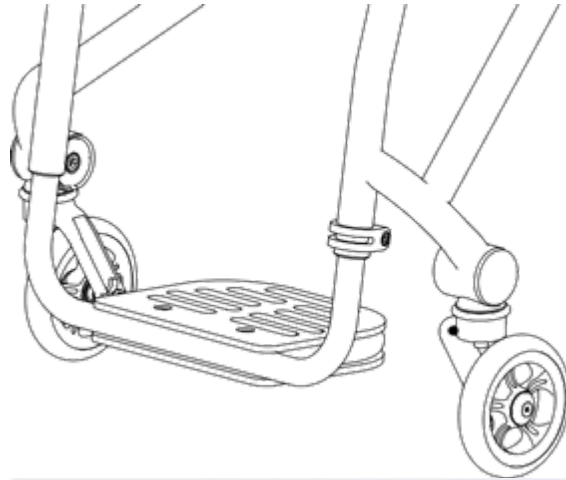


△ NOTE: Permobil's warranty does not cover Creative Mobility Division frames and frame components, unless Permobil determines that the frame or frame component was defectively manufactured.

Weighted footrest CMD #45

EZ-Ti ID _____

PO# _____



Clinical rationale

Modification indicated for individuals who may have had a lower extremity amputation and require additional weight at the front of the chair for balance.

Available on:

TiLite TR, TiLite TRA, TiLite ZR, TiLite ZRA, TiLite Aero T, TiLite Aero Z

Notes:

- Only available on non-pediatric rigid chairs.
- Selectable weights range from 5 to 20 lb, in 1 lbs. increments.
- Final weight will be within 1/2 lbs. of call-out.
- Not available with flip-back.
- May not work with all chair configurations.
- For weights over 7 lbs., a Titanium open loop footrest must be selected for this adaptation.

Required information

(Insert required information for CMD-E to complete this request)

Added footrest weight: _____

Special Instructions

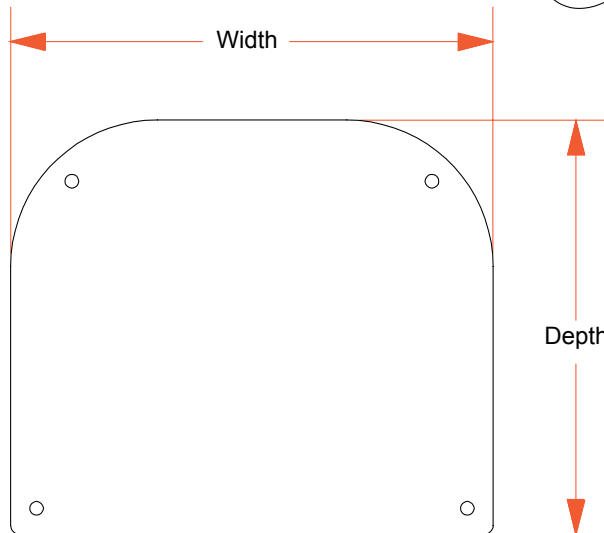
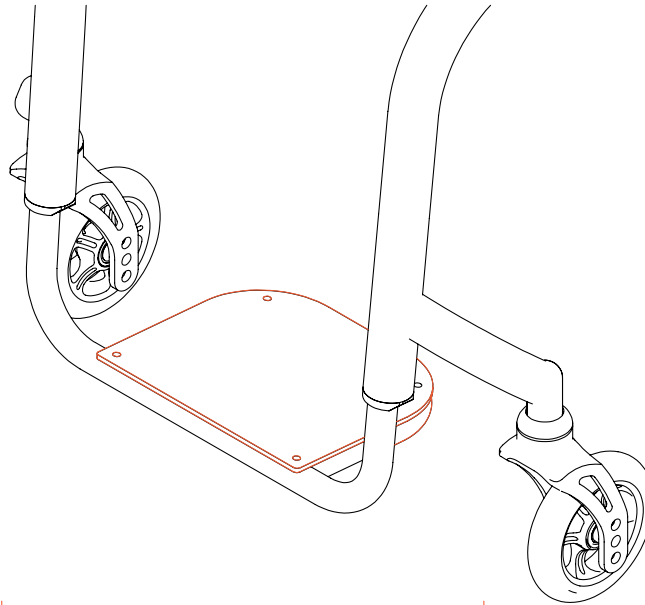


△ NOTE: Permobil's warranty does not cover Creative Mobility Division frames and frame components, unless Permobil determines that the frame or frame component was defectively manufactured.

Adapted shaped/sized ABS footplate CMD #50

EZ-Ti ID _____

PO# _____



Clinical rationale

Modification indicated for individuals who present with lower extremity positioning that standard size cover does not accommodate.

Available on:

TiLite TR, TiLite TRA, TiLite ZR, TiLite ZRA, TiLite Aero T, TiLite Aero Z

Notes:

- Available on rigid chairs only.
- Titanium open loop footrest may be required.
- May require a squared off footrest adaptation (see CMD 071) or other footrest adaptation.
- Available adaptations include, but are not limited to, depth and width.
- Contact customer service for additional variations.
- May not work with all chair configurations.

Required information

(Insert required information for CMD-E to complete this request)

ABS footrest dimensions:

Depth: _____

Width: _____

Wheelchair serial number (if a parts order): _____

Special Instructions

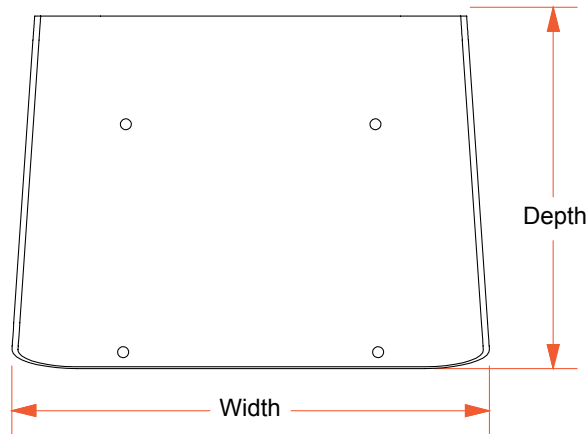
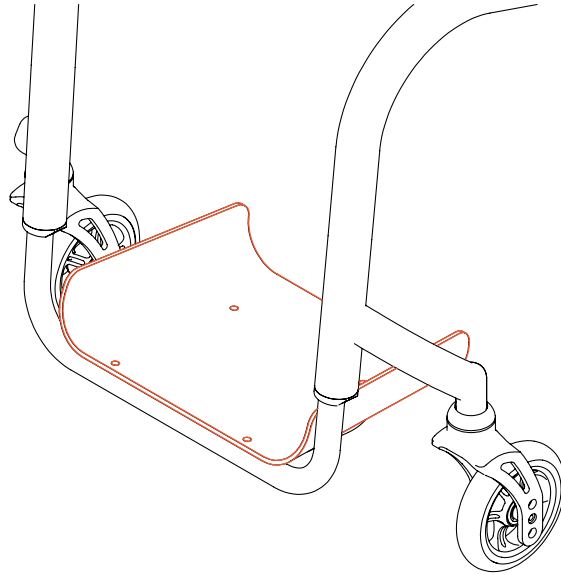


△ NOTE: Permobil's warranty does not cover Creative Mobility Division frames and frame components, unless Permobil determines that the frame or frame component was defectively manufactured.

2" sided ABS footrest cover CMD #49

EZ-Ti ID _____

PO# _____



Clinical rationale

Modification indicated for individuals who require support laterally on their footrest to keep maintain positioning on the footrest.

Available on:

TiLite TRA, TiLite ZR, TiLite ZRA, TiLite Aero T, TiLite Aero Z, TiLite TR

Notes:

- Available on rigid chairs only.
- Available adaptations include, but are not limited to, depth and width.
- Contact customer service for additional variations.
- May not work with all chair configurations.
- CMD-E will need to confirm caster clearance on all requests

Required information

(Insert required information for CMD-E to complete this request)

ABS sided cover dimensions:

Depth: _____ Width: _____

Lip Height (choose from 1", 1.5" or 2"): _____

Description or diagram of unique shape:

Special Instructions



△ NOTE: Permobility's warranty does not cover Creative Mobility Division frames and frame components, unless Permobility determines that the frame or frame component was defectively manufactured.

Tubular flip-up footplates

CMD #61

EZ-Ti ID _____

PO# _____

Clinical rationale

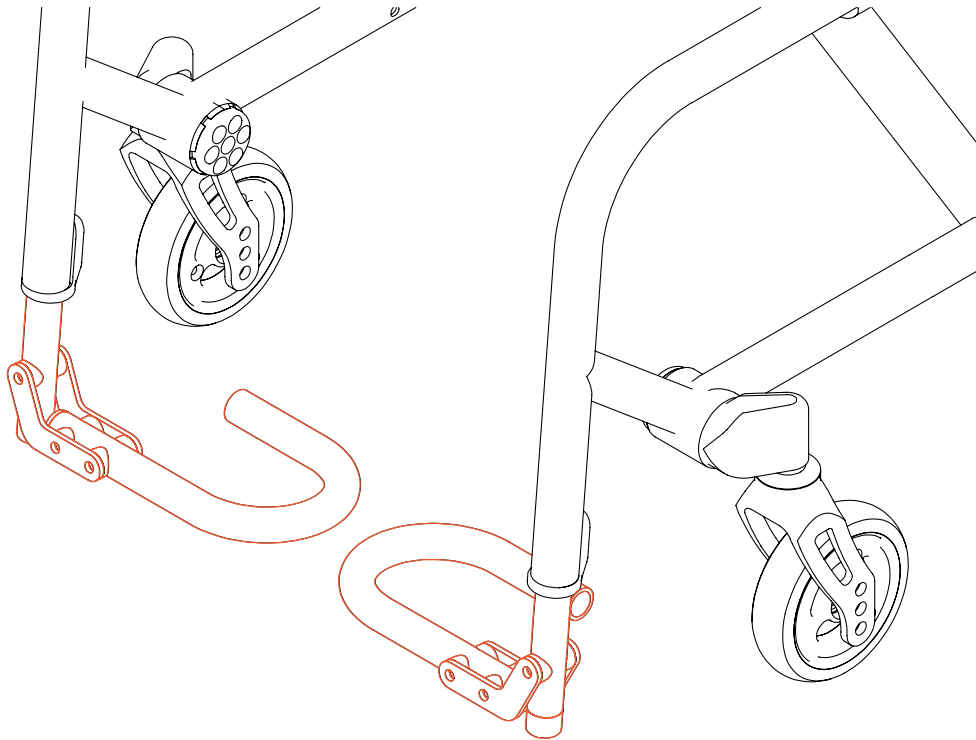
Modification indicated for individuals who require or prefer a loop style footrest instead of a plastic style footrest.

Available on:

TiLite TR, TiLite TRA, TiLite ZR, TiLite ZRA, TiLite Aero T, TiLite Aero Z, TiLite Aero X, TiLite 2GX

Notes:

- Rigid frames require extra rigidizer bar (see CMD 40).
- The footrest loops will only be made up to an 18" front-width equivalent.
- Not available with V-front end.
- May not work with all chair configurations.



Special Instructions



△ NOTE: Permobil's warranty does not cover Creative Mobility Division frames and frame components, unless Permobil determines that the frame or frame component was defectively manufactured.

Titanium angle-adjustable footrest extensions CMD #55

EZ-Ti ID _____

PO# _____

Clinical rationale

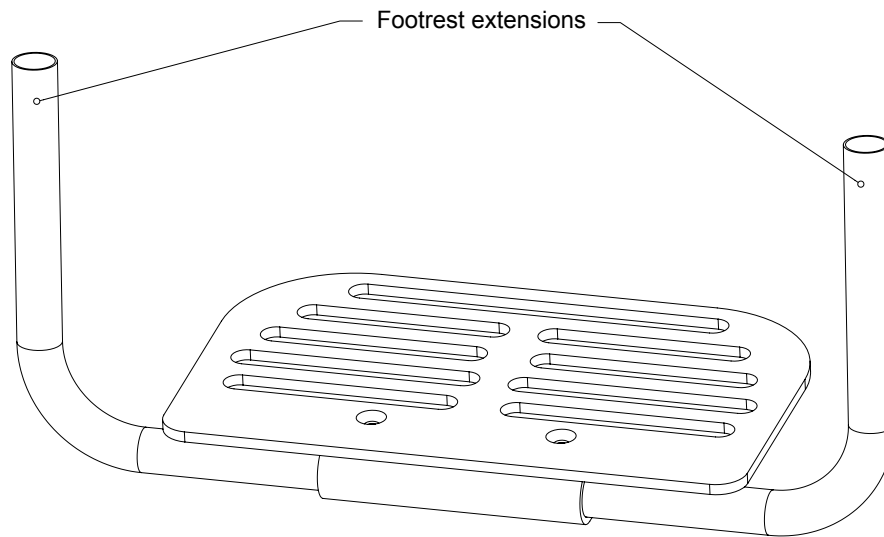
Modification indicated for individuals who require/desire optimal weight and strength for their footrest extensions.

Available on:

TiLite TR, TiLite TRA, TiLite ZR, TiLite ZRA, TiLite Aero Z,
TiLite Aero T

Notes:

- Not intended for Heavy Duty wheelchairs.
- May not work with all chair configurations.
- Extension finish will be blasted satin.



Special Instructions



△ NOTE: Permobil's warranty does not cover Creative Mobility Division frames and frame components, unless Permobil determines that the frame or frame component was defectively manufactured.

Squared off titanium footrest CMD #71

EZ-Ti ID _____

PO# _____

Clinical rationale

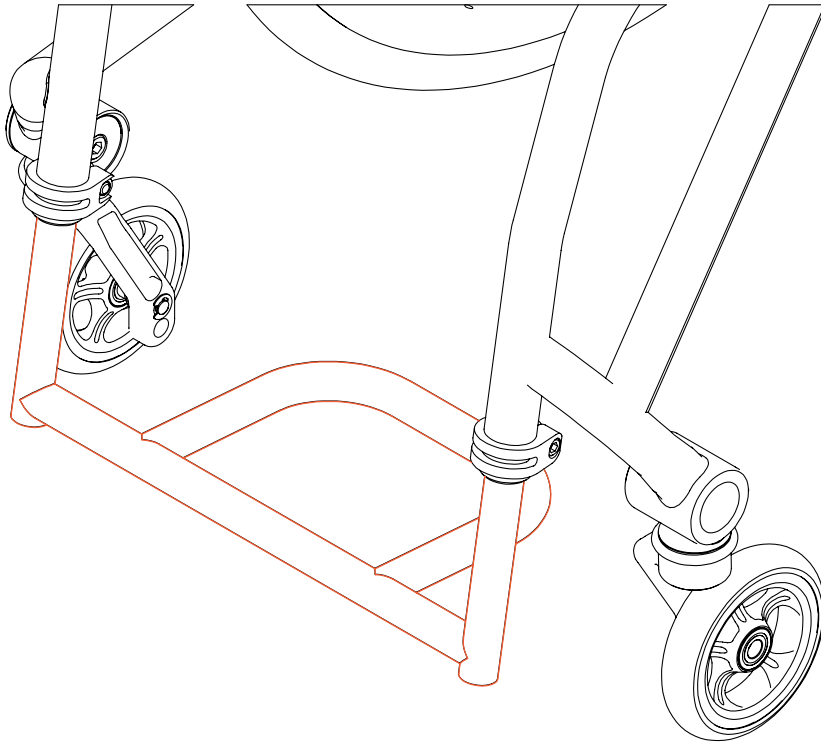
Modification indicated to allow for added surface area across width of the footrest tube offering additional lower extremity positioning and foot placement options while maintaining optimal taper.

Available on:

TiLite TR, TiLite TRA, TiLite ZR, TiLite ZRA, TiLite Aero Z,
TiLite Aero T

Notes:

- May not work with all chair configurations.
- If retrofitting an existing wheelchair, a SN will be needed to ensure caster clearance.
- This applies to titanium-footrest options only



Special Instructions



△ NOTE: Permobil's warranty does not cover Creative Mobility Division frames and frame components, unless Permobil determines that the frame or frame component was defectively manufactured.

Adapted footrest height adjustment CMD #72

EZ-Ti ID _____

PO# _____

Clinical rationale

Modification indicated for individuals with lower extremity measurements that require a specific seat to footrest measurement not available on the standard order form.

Available on:

TiLite TR, TiLite TRA, TiLite TX1, TiLite ZR, TiLite ZRA, TiLite Aero T, TiLite Aero Z

Notes:

- Available on TiFit Model Wheelchairs only.
- If a parts order, provide current front seat height and caster size
- May not work with all chair configurations.

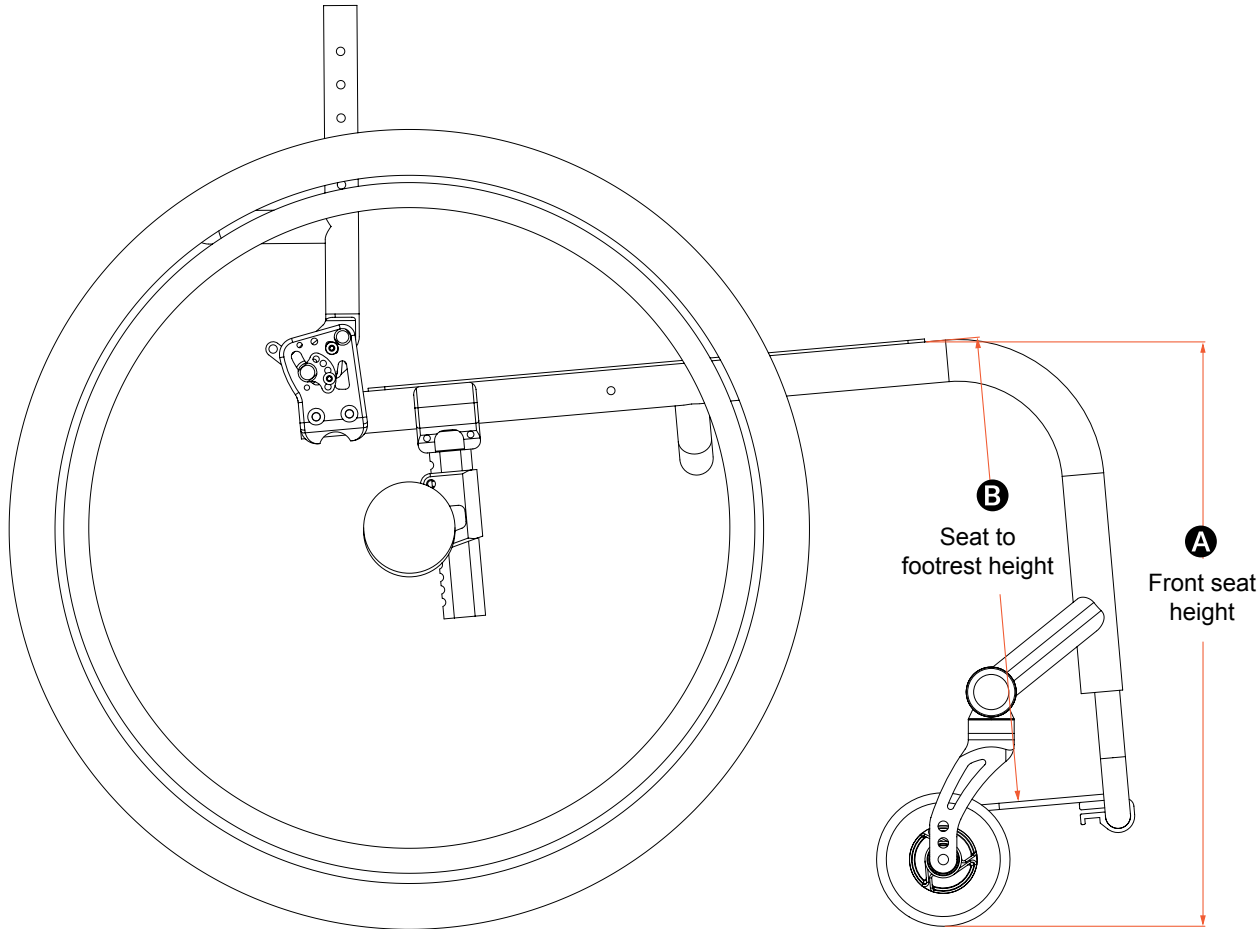
Required information

(Insert required information for CMD-E to complete this request)

Measurement A: Front Seat Height: _____

Measurement B: Seat to Footrest: _____

(Measurement A must be at least 2" greater than measurement B.)



Special Instructions

permobil

△ NOTE: Permobil's warranty does not cover Creative Mobility Division frames and frame components, unless Permobil determines that the frame or frame component was defectively manufactured.

Front roller CMD #80

EZ-Ti ID _____

PO# _____

Clinical rationale

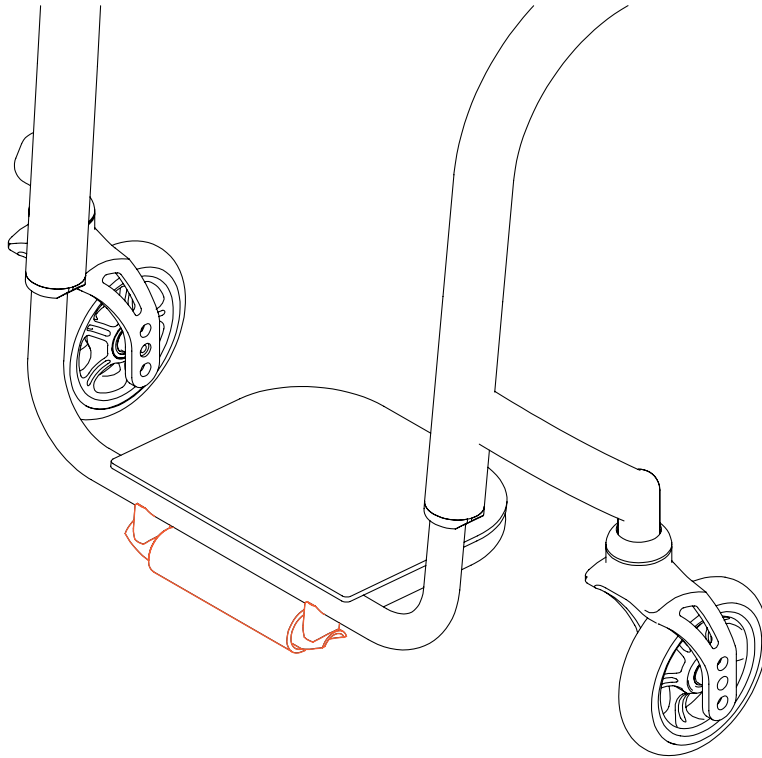
Modification indicated when footplate to floor height is lower than 2". This roller contacts elevated surfaces (such as thresholds) first, allowing the chair to continue forward movement as contact occurs.

Available on:

TiLite TR, TiLite TRA, TiLite ZR, TiLite ZRA, TiLite Aero T, TiLite Aero Z

Notes:

- Only available on rigid frames.
- Titanium or Angle-adjustable footrest is required.
- Signed CAD will be required.
- There must be 3.25" of difference between the Seat-to-Footrest and the Front-Seat-Height Dimensions.
- May not work with all chair configurations.
- Not available with flip-back footrest.
- Not available with clamped-on, high-mounted footrests.



Information needed for parts orders:

Current front seat height _____

Current seat to footrest _____

CME to confirm functionality of this adaptation case by case

Special Instructions

Titanium painted footrest CMD #83

EZ-Ti ID _____

PO# _____

Clinical rationale

Modification indicated for individuals who require/request a footrest that complements and matches the color of the wheelchair frame.

Available on:

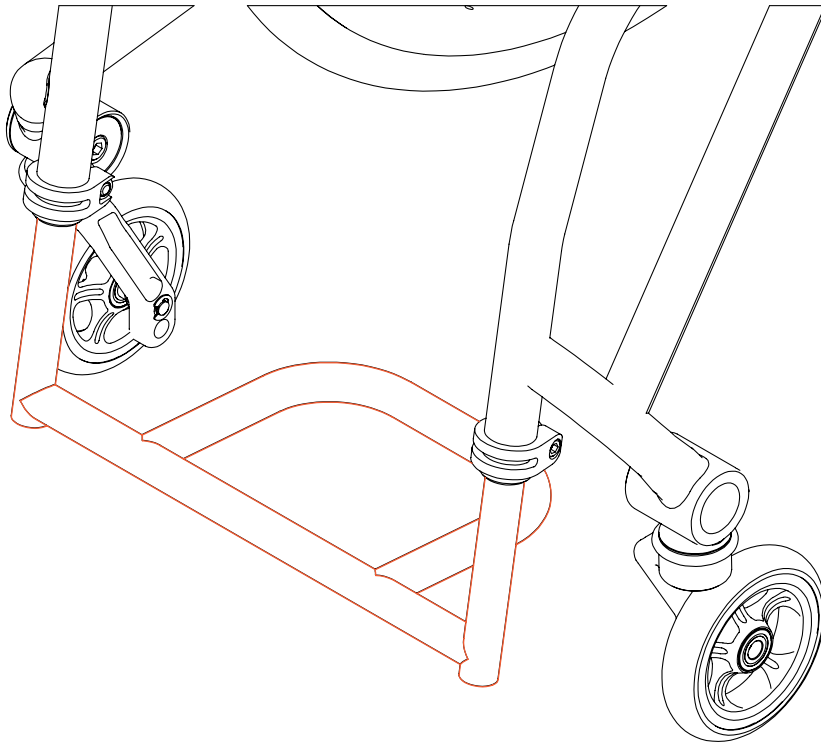
All chairs that receive a titanium Open Loop or Flat ABS footrest option

Notes:

- Cannot be a double coat on ZR/ZRA.
- May not work in every configuration.

Required Information:

Color of footrest desired _____
(the color does not apply to the ABS footplate if ordered)



Special Instructions



△ NOTE: Permobil's warranty does not cover Creative Mobility Division frames and frame components, unless Permobil determines that the frame or frame component was defectively manufactured.

V-front in 1/2" increments

CMD #84

EZ-Ti ID _____

PO# _____

Clinical rationale

Modification indicated for both lower leg positioning benefits as well as to reduce overall width between casters for improved accessibility in tight spaces.

Available on:

TiFit rigid chairs

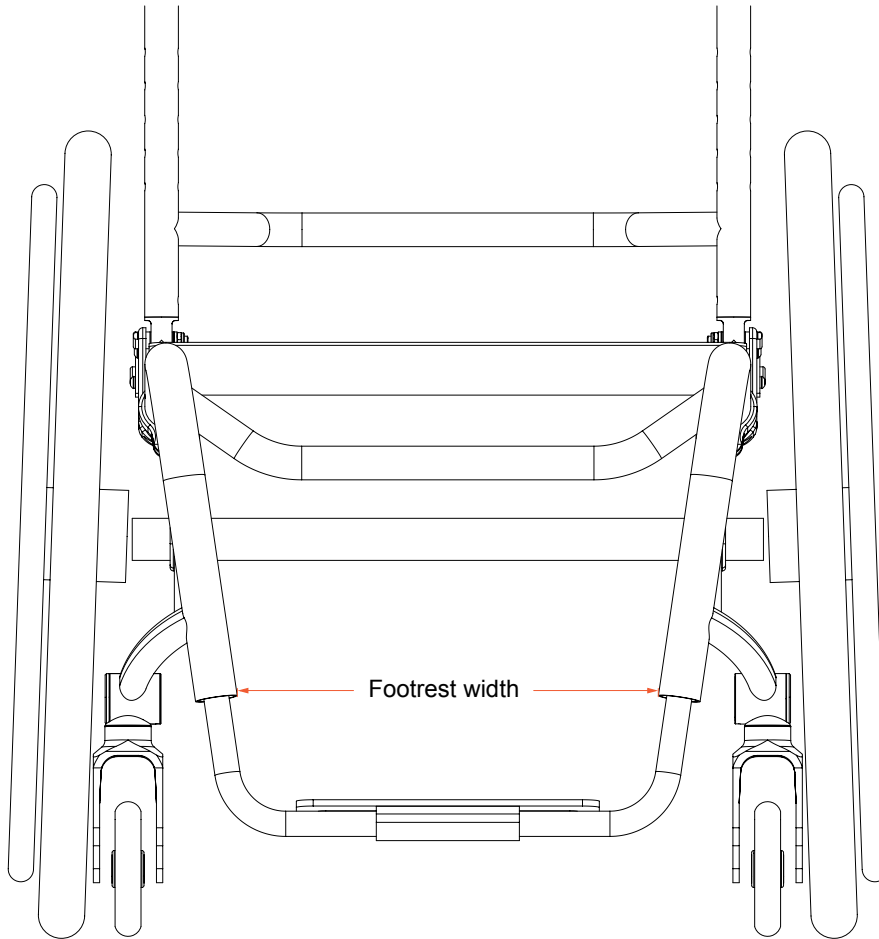
Notes:

- May not work with all chair configurations.

Required information

(Insert required information for CMD-E to complete this request)

Footrest width desired: _____



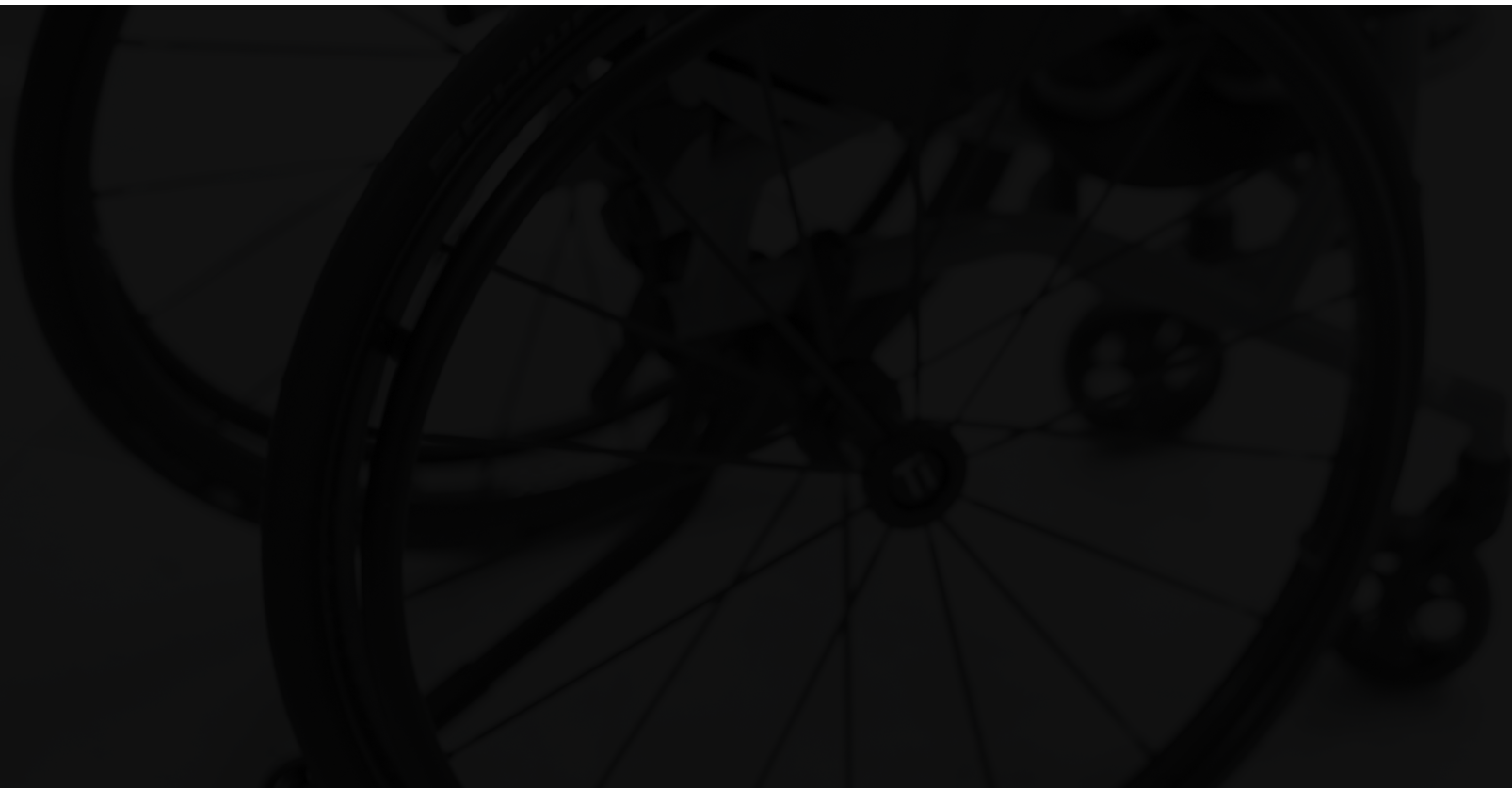
Special Instructions



△ NOTE: Permobil's warranty does not cover Creative Mobility Division frames and frame components, unless Permobil determines that the frame or frame component was defectively manufactured.

TiLite manual wheelchairs | Creative Mobility Division

Caster options

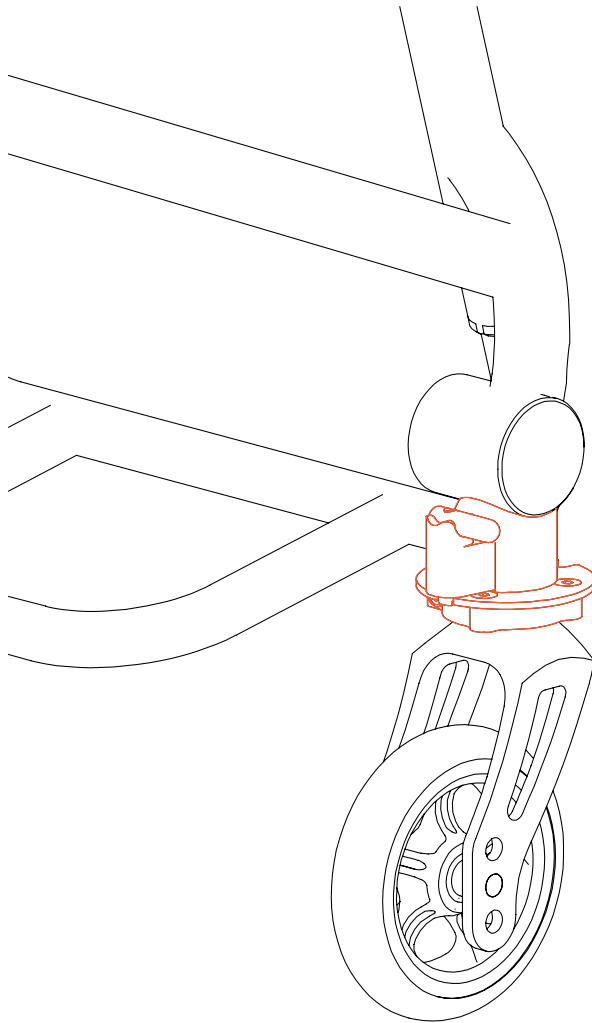


Caster pin locks

CMD #46

EZ-Ti ID _____

PO# _____



Clinical rationale

Modification indicated for individuals who require the caster to be locked in the forward or trailing position for increased stability.

Available on:

TiLite TR, TiLite TRA, TiLite TX1, TiLite ZR, TiLite ZRA, TiLite Aero T, TiLite Aero Z, TiLite Aero X, TiLite 2GX

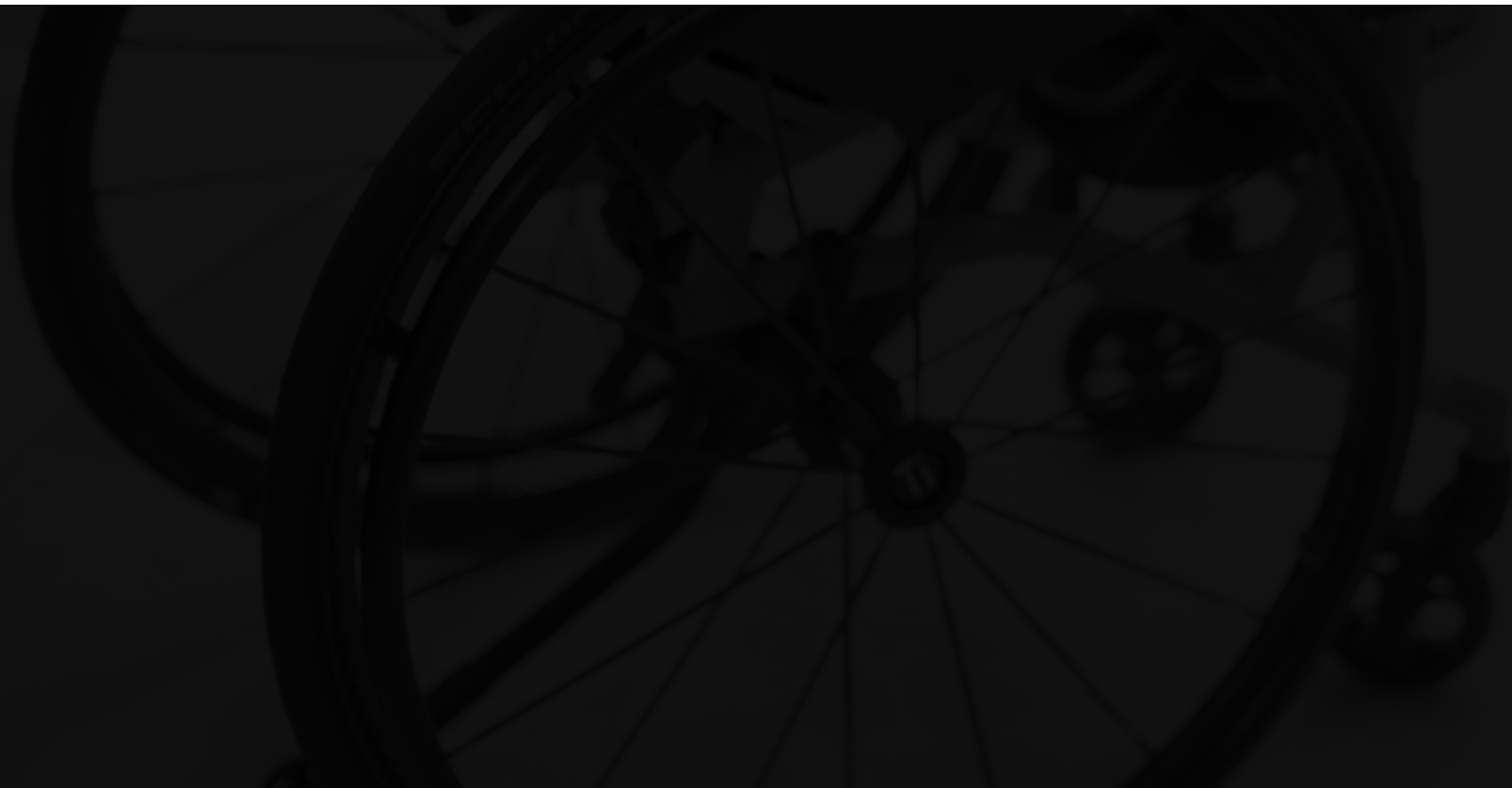
Notes:

- Available with standard (double-tine) fork style.
- Not Available with Glide Suspension Forks.
- Available on all chairs except TWIST and Pilot.
- Not available with titanium fork stems.
- CME to confirm compatibility for parts orders
- May not work with all chair configurations.

Special Instructions

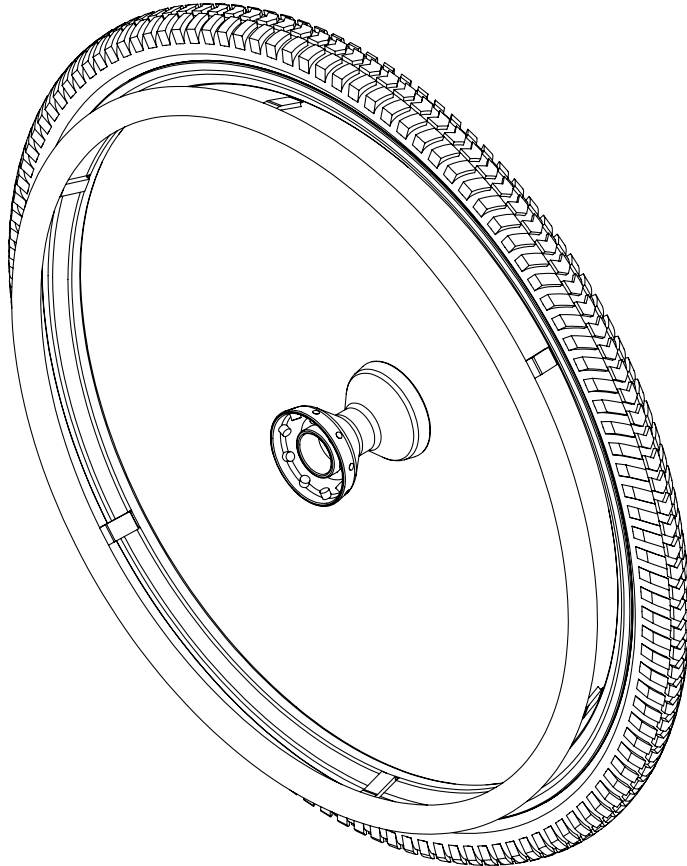
TiLite manual wheelchairs | Creative Mobility Division

Rear wheel options



Customer specified wheel and tire combination

CMD #43



EZ-Ti ID _____

PO# _____

Clinical rationale

Modification is indicated for individuals who require specific tire and wheel combinations that is not listed on the standard order form.

Available on:

TiLite TR, TiLite TRA, TiLite ZR, TiLite ZRA, TiLite Aero T, TiLite Aero Z, TiLite Aero X, TiLite 2GX, TiLite TWIST

Notes:

- If a bulleted-caster chair (ZR, TR, TX) and if it is a wheel/tire we have not designed for before, we require the wheel and tire to be sent to us so we can design the chair to the wheel-set's specific dimensions.
- May not work with all chair configurations.
- Delivery dates can only be quoted once we have the wheel/tire set in hand so that we can design the order to the back wheels.

NOTE: TiLite can order the wheels and tires if they are produced by an approved supplier (Such as Spinerger).

Required information

(Insert required information for CMD-E to complete this request)

Please use specific part numbers and/or descriptions below. TiLite will be sourcing these wheels/tires for you:

Wheel: _____

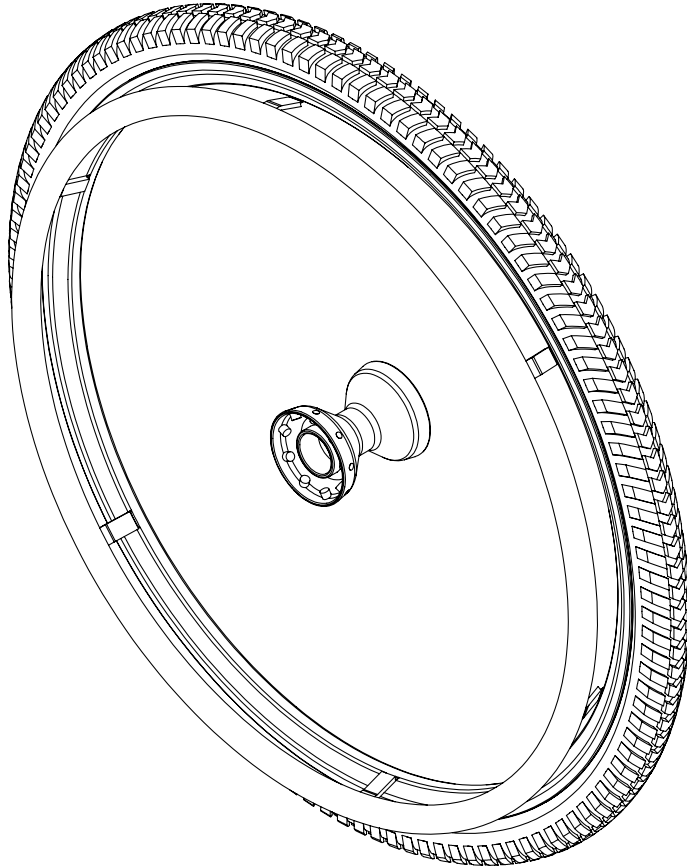
Tire: _____

Special Instructions



△ NOTE: Permobil's warranty does not cover Creative Mobility Division frames and frame components, unless Permobil determines that the frame or frame component was defectively manufactured.

Knobby tires CMD #79



EZ-Ti ID _____

PO# _____

Clinical rationale

Provides a more robust tire profile and width for improved performance in varied-terrain environments, indicated when consumer environment places them at higher risk for stranding if using a standard tire profile.

Available on:

TiLite TR, TiLite TRA, TiLite Aero T, TiLite ZR, TiLite ZRA, TiLite Aero Z, TiLite Aero X, TiLite 2GX

Notes:

- Please note: If an aftermarket knobby is to be utilized, the tire needs to be ordered by TiLite and designed to before the chair's fabrication can be started if for a TiFit model.
- 24" (507) Available on Shadow Wheels.
- 24" (540) Available on Shadow, Spinerge LX, and Spinerge SPOX.
- 26" (559) Available on Shadow, Spinerge LX, and Spinerge SPOX.
- Some rear seat heights may not be achievable when this adaptation is applied.
- May not work with all chair configurations.

Required information

(Insert required information for CMD-E to complete this request)

Information Needed if non-stocked tire:

- Tire type (make, model, part number)
- Tire size (diameter in inch AND mm as well as the belly dimension of the tire's profile); example: 26" (559 mm) x 2.25" (57mm).

Special Instructions



△ NOTE: Permobil's warranty does not cover Creative Mobility Division frames and frame components, unless Permobil determines that the frame or frame component was defectively manufactured.

Projection hand rims

CMD #86

EZ-Ti ID _____

PO# _____

Clinical rationale

Modification indicated for clients with limited hand function, projections provide a vertical surface for general hand contact when gripping forces are minimal; used to maximize wheelchair propulsion forces via larger-surface hand contact with projections to initiate each push.

Available on:

All chairs

Required information

(Insert required information for CMD-E to complete this request)

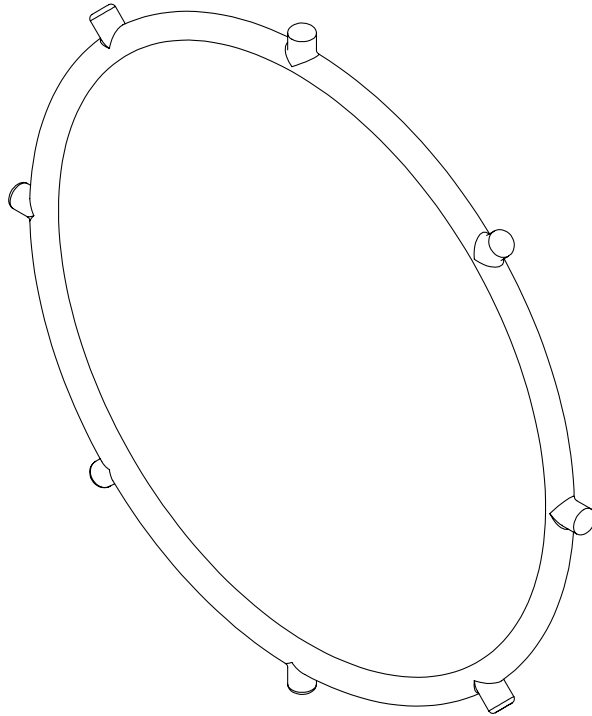
Hand rim size desired: _____

Number of projections desired on this rim: _____

Wheel type: _____

Standard OR Oblique

Please note in special instructions if a non-standard knob-length is desired (standard knob length is $\frac{3}{4}$ ")



Special Instructions



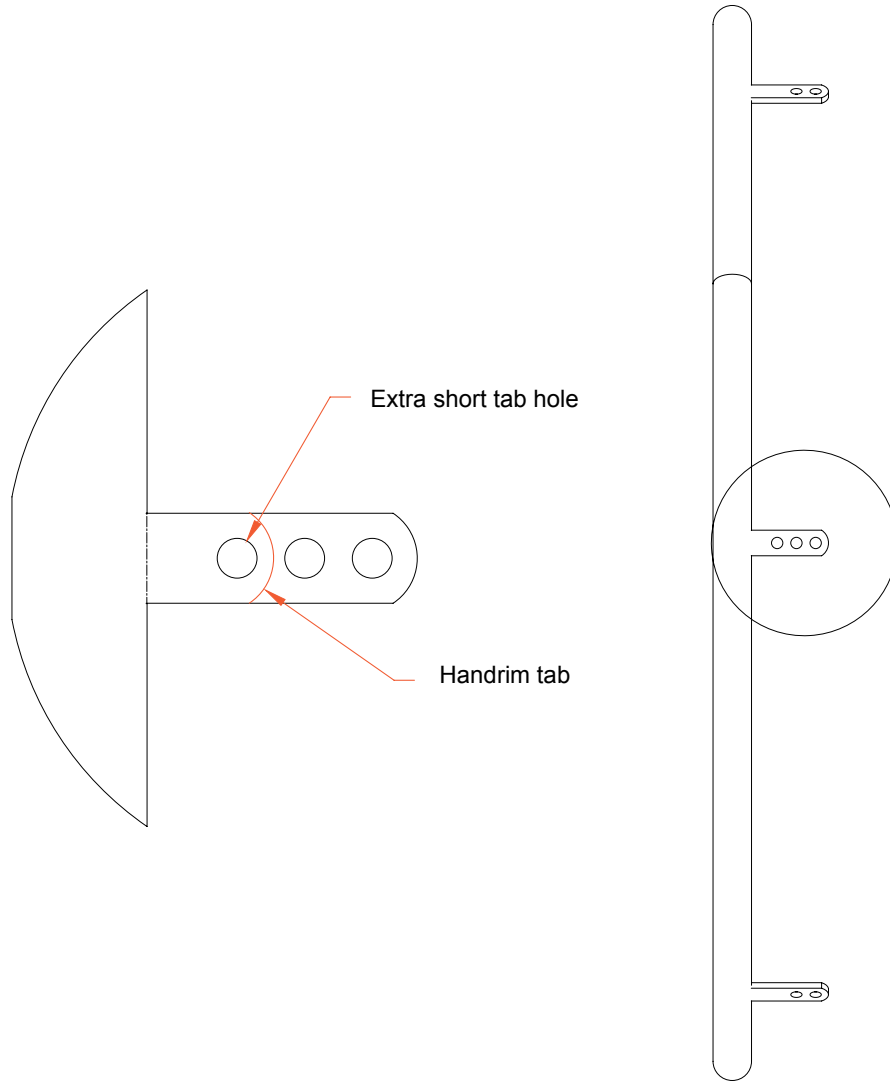
△ NOTE: Permobil's warranty does not cover Creative Mobility Division frames and frame components, unless Permobil determines that the frame or frame component was defectively manufactured.

Extra short handrim tabs

CMD #91

EZ-Ti ID _____

PO# _____



Clinical rationale

Modification reduces overall chair width by bringing the handrim closer to the wheel, for improved accessibility in narrow environments.

Available on:

All wheelchairs

Notes:

- Intended for six-tab mount handrim-style only.
- Not available on rivnut Mounted handrims.
- Not available on Natural-Fit handrims with thumb rings.
- Not available on Vinyl-coated or Q-grip handrims.

Special Instructions

Offset diameter handrim

CMD #94

EZ-Ti ID _____

PO# _____



Clinical rationale

Modification indicated for individuals who require a specific size handrim in relation to the tire size to achieve the most efficient propulsion.

Available on:

All wheelchairs

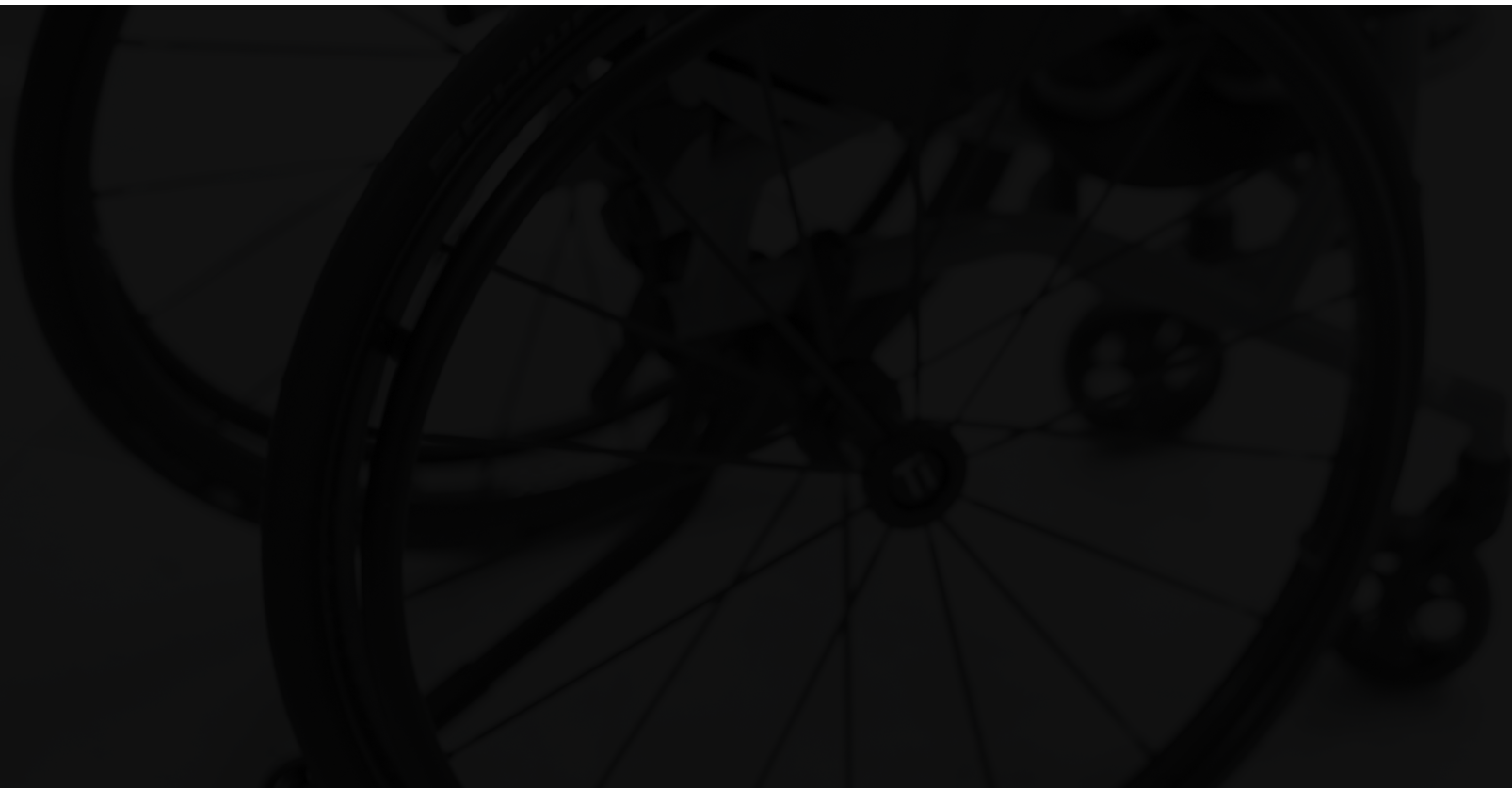
Notes:

- This will only be available on Wire and Spinergy wheels.
- 24" (540mm) rear wheel can have a 20-22" Handrim.
- 22" (501mm) rear wheel can have an 18-20" Handrim.

Special Instructions

TiLite manual wheelchairs | Creative Mobility Division

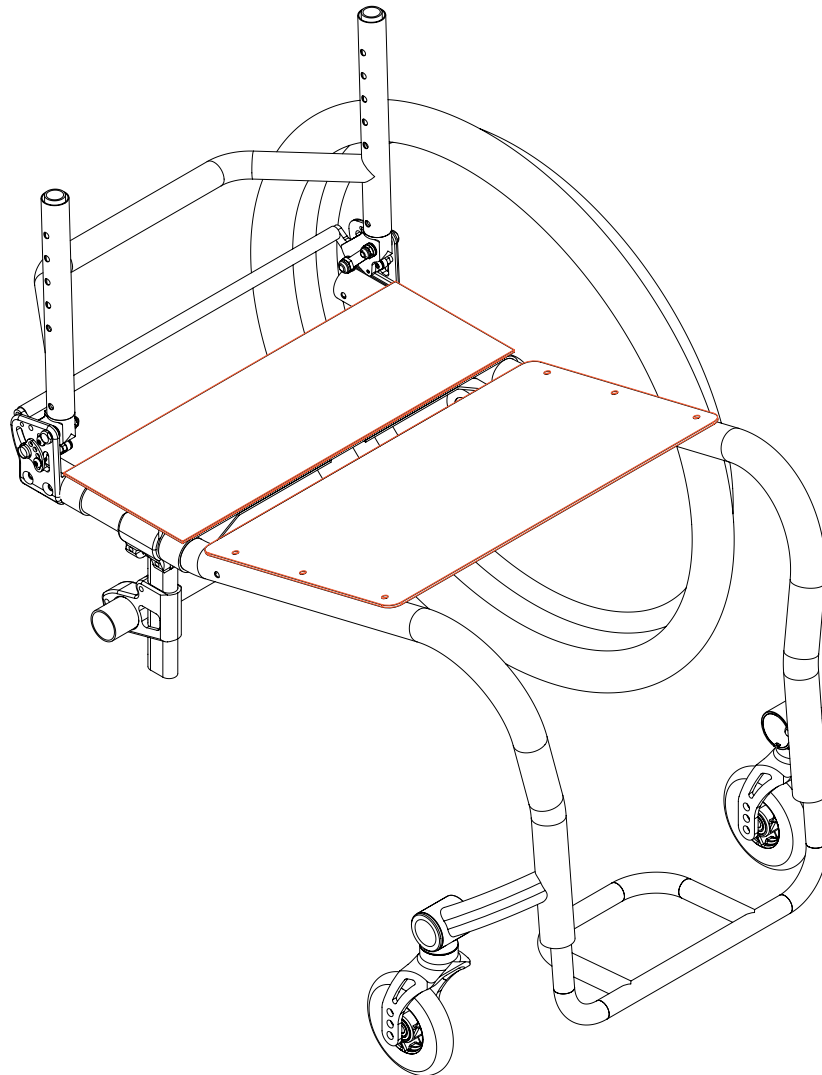
Seat upholstery options



Hybrid seat pan/tension-adj-by- strap seat upholstery CMD #13

EZ-Ti ID _____

PO# _____



Clinical rationale

This modification is indicated for people who require a solid seat pan on the distal end of the seat to improve support for transfers or for unique lower extremity positioning. Specific applications can be paired with ergonomic seat or to address the needs of lower extremity propellers.

Available on:

TiLite TR, TiLite TRA, TiLite ZR, TiLite ZRA, TiLite Aero T, TiLite Aero Z

Notes:

- Only available for rigid frames but will include non-tapered, tapered, and ergo frames.
- Seat pan may be placed on rear or front section of seat upholstery.
- The upholstery section of the seat will be tension adjustable by strap.
- May not work with all chair configurations.

Required information

(Insert required information for CMD-E to complete this request)

Seat pan location: Front OR Rear

Special Instructions

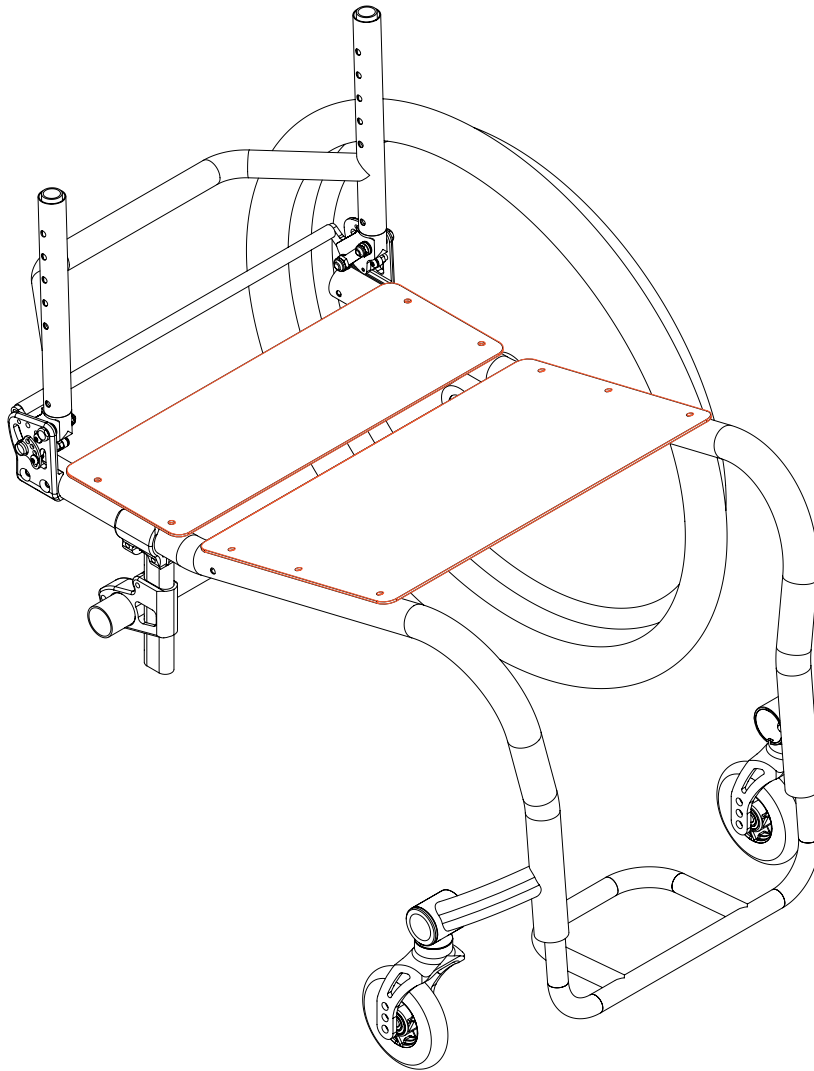


△ NOTE: Permobil's warranty does not cover Creative Mobility Division frames and frame components, unless Permobil determines that the frame or frame component was defectively manufactured.

Ergo-split seat pan CMD #16

EZ-Ti ID _____

PO# _____



Clinical rationale

This modification is indicated for individuals who have an ergonomic seat and require a solid seat pan for posture and positioning.

Available on:

TiLite TR, TiLite TRA, TiLite Aero T, TiLite ZR, TiLite ZRA,
TiLite Aero Z

Notes:

- Only available for ergonomic frames.
- Seat Pan size is dependent on Ergo Seat dimension and will be built based off seat depth.
- May not work with all chair configurations.

Special Instructions



△ NOTE: Permobil's warranty does not cover Creative Mobility Division frames and frame components, unless Permobil determines that the frame or frame component was defectively manufactured.

iSleeve CMD #18

EZ-Ti ID _____

PO# _____

Clinical rationale

Modification is indicated for individuals who have a cellphone and require a place to safely store it while in their manual wheelchair. Sleeve can be sewn to accommodate size of client's phone.

Available on:

TiLite TR, TiLite TRA, TiLite ZR, TiLite ZRA, TiLite Aero T, TiLite Aero Z

Notes:

- May not work on all chair widths or configurations.
- Limited to seat slings that are 13" wide or wider.
- The sleeve may not be centered due to seat sling and/or iSleeve size.
- iSleeve depth can be up to 2" smaller than the seat depth of the sling.
- Velcro closure will be sewn at opening.
- Standard iSleeve dimensions are: Width = 3.25", Depth = 6.25".

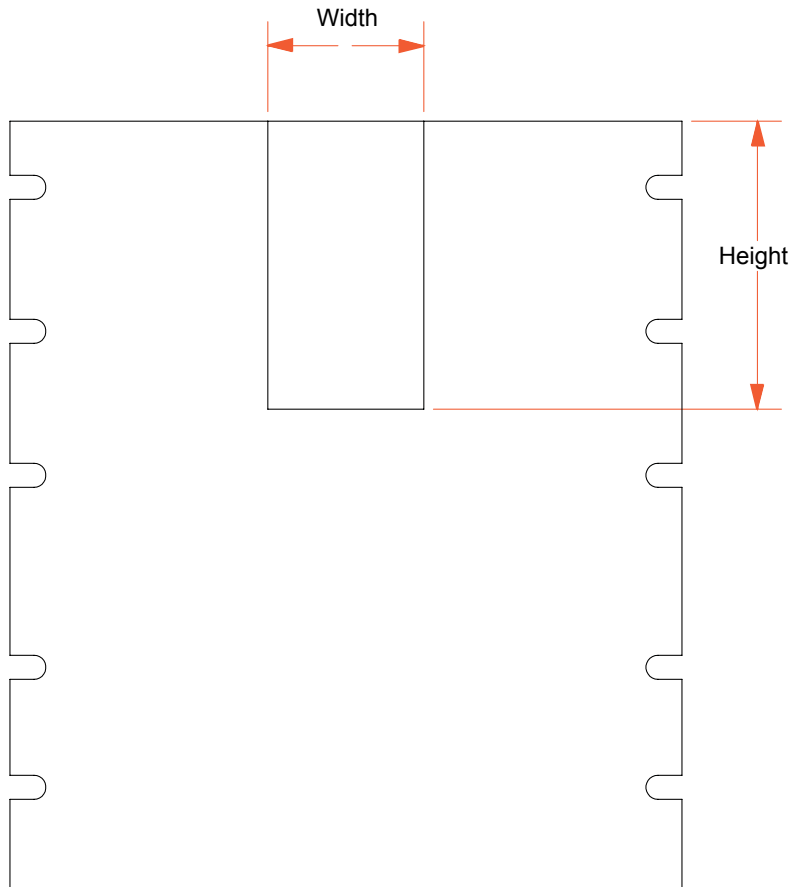
Required information

(Insert required information for CMD-E to complete this request)

If trying to fit a certain device, please add 1" to the depth and ¼" to the width of the opening iSleeve dimensions.

Width: _____

Depth: _____

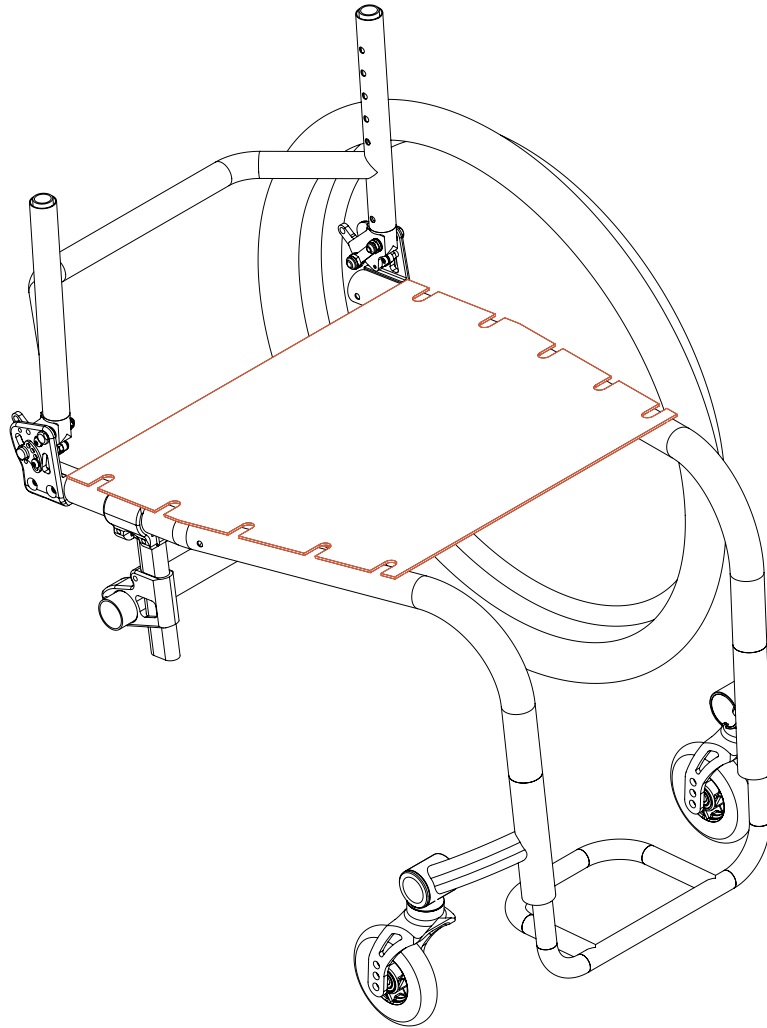


Special Instructions



△ NOTE: Permobil's warranty does not cover Creative Mobility Division frames and frame components, unless Permobil determines that the frame or frame component was defectively manufactured.

Bolt on seat sling: Ergo or tapered/ abducted seats CMD #20



EZ-Ti ID _____

PO# _____

Clinical rationale

Modification is indicated for individuals who require the support provided by the bolt on seat sling, or someone who may be unable to tolerate the tension adjustable by strap seat.

Available on:

TiLite TR, TiLite TRA, TiLite ZR, TiLite ZRA, TiLite Aero T, TiLite Aero Z

Notes:

- Only available on Rigid Frames.
- May not work with all chair configurations.

Special Instructions



△ NOTE: Permobil's warranty does not cover Creative Mobility Division frames and frame components, unless Permobil determines that the frame or frame component was defectively manufactured.

Removable seat pan CMD #38

EZ-Ti ID _____

PO# _____

Clinical rationale

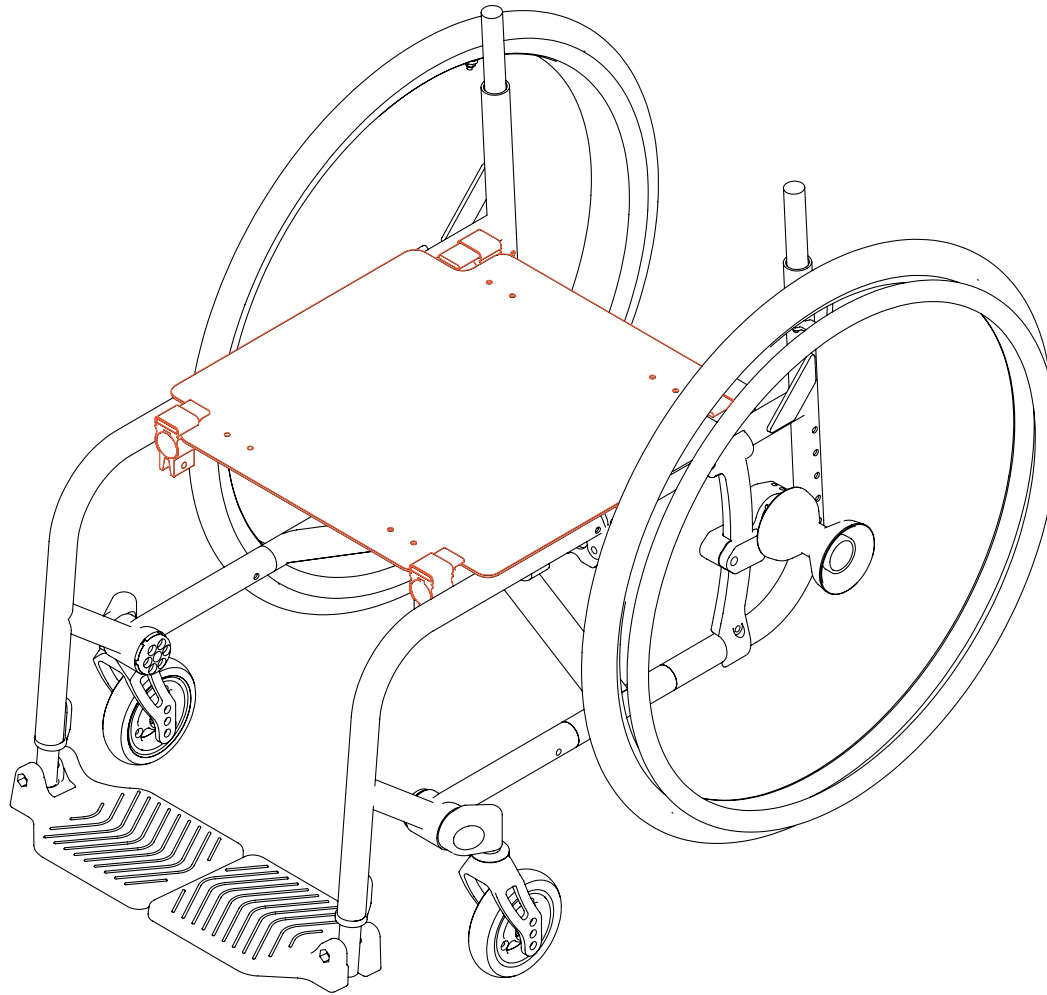
This modification is indicated for individuals who have a folding frame chair but require the rigidity and support of a solid seat pan.

Available on:

TiLite Aero X, TiLite 2GX, TiLite TX1

Notes:

- Only available on folding wheelchairs.
- No more than +1 frame depth.
- This is an imperial-hardware assembly.
- May not work with all chair configurations.
- Pan will be made to cross tube dimensions



Special Instructions



△ NOTE: Permobil's warranty does not cover Creative Mobility Division frames and frame components, unless Permobil determines that the frame or frame component was defectively manufactured.

Adapted upholstery CMD #68

EZ-Ti ID _____

PO# _____

Clinical rationale

Modification indicated to achieve integration of upholstery with non-standard frame configurations or meet the needs of specific seating components to be installed.

Available on:

TiLite TR, TiLite TRA, TiLite ZR, TiLite ZRA, TiLite Aero T, TiLite Aero Z, TiLite Aero X, TiLite 2GX, TiLite TWIST

Notes:

- Use space below to sketch or design desired upholstery.
- Some requests will not be achievable.



Special Instructions



△ NOTE: Permobil's warranty does not cover Creative Mobility Division frames and frame components, unless Permobil determines that the frame or frame component was defectively manufactured.

TWIST solid seat pan or insert AND Rigid Wheelchairs with a seat width and/or depth greater than 20”

CMD #78

EZ-Ti ID _____

PO# _____

Clinical rationale

Indicated to provide a stable platform for pelvis through a consistently solid surface, impacting overall postural alignment and stability during propulsion and functional activities.

Available on:

TiLite TWIST and extra large rigid wheelchair models.

Notes:

- May not work with all chair configurations.

Required information

(Insert required information for CMD-E to complete this request)

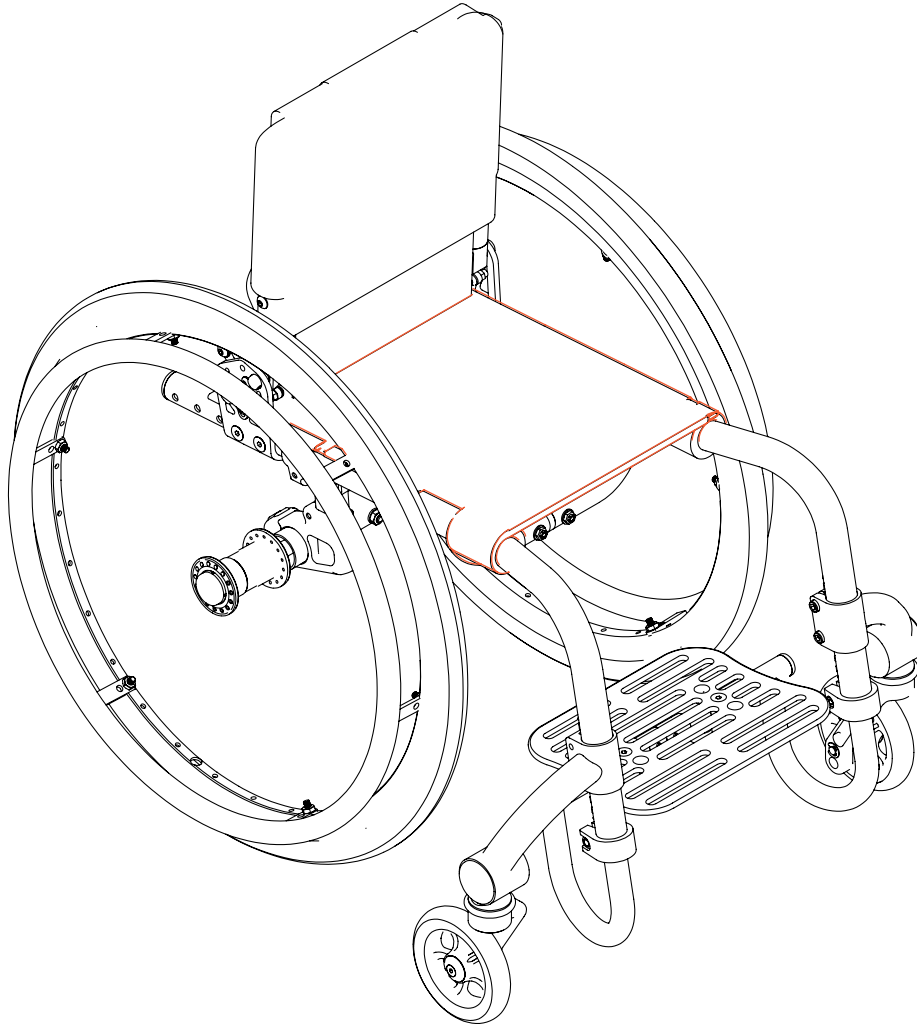
Bolt on (this will be our default if no other choice is selected below)

OR

Sewn into tension adjustable by strap seat sling (Note that a new seat sling with pan insert will need to be ordered each time the seat depth is changed)

OR

Powder-coated, non-drill, seat pan with trim (unless sewn into upholstery).



Special Instructions



△ NOTE: Permobil's warranty does not cover Creative Mobility Division frames and frame components, unless Permobil determines that the frame or frame component was defectively manufactured.

TiLite manual wheelchairs | Creative Mobility Division

Side guard options



Offset profiled side guard (removable or fold-down) CMD #7

EZ-Ti ID _____

PO# _____

Clinical rationale

Modification intended to allow for specified offset (height) between edge of the side guard and edge of rear wheel, giving the customer the ability to increase the size of the side guard as needed for more protection or comfort.

Available on:

TiLite TR, TiLite TRA, TiLite Aero T, TiLite ZR, TiLite ZRA,
TiLite Aero Z, TiLite TWIST, TiLite Aero X, TiLite 2GX

Notes:

- Requires rigid-removable or fold-down side guards.
- Aluminum or Carbon Fiber side guard must be selected.
- Side guard panel can be above or below the rear tire.
- Side guards will be cut profiling the rear tire if no offset is selected below.
- Aluminum side guards are black powder-coated with edge molding.
- May not work with all chair configurations.
- Folding wheelchair models are not compatible with fold-down side guards.

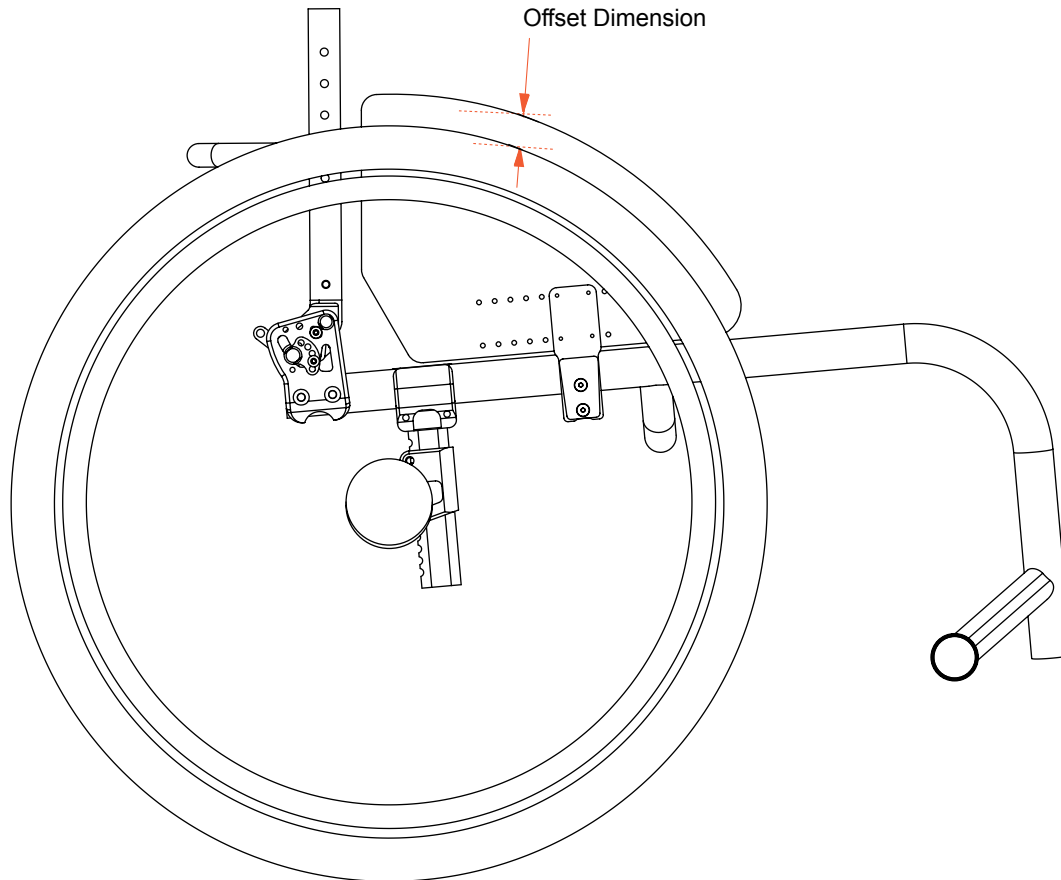
Required information

(Insert required information for CMD-E to complete this request)

Select one: Removable OR Fold-down

Offset: _____

Select one: Above OR Below The Diameter of the Rear Tire



Special Instructions



△ NOTE: Permobil's warranty does not cover Creative Mobility Division frames and frame components, unless Permobil determines that the frame or frame component was defectively manufactured.

Adapted spacing on desk arm CMD #12

EZ-Ti ID _____

PO# _____

Clinical rationale

Modification indicated to allow for proper fit of client in their wheelchair due to width constraints on the chair. Modification allows for wider seat width while maintaining overall chair width.

Available on:

TiLite TR, TiLite TRA, TiLite ZR, TiLite ZRA, TiLite Aero Z,
TiLite Aero T, TiLite Aero X, TiLite 2GX, TiLite TWIST

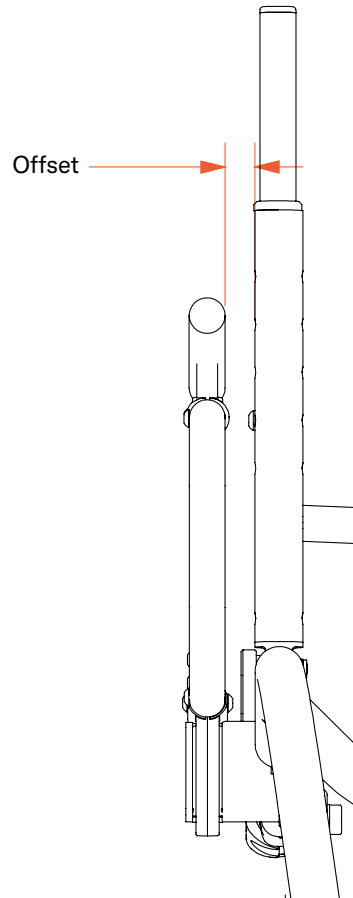
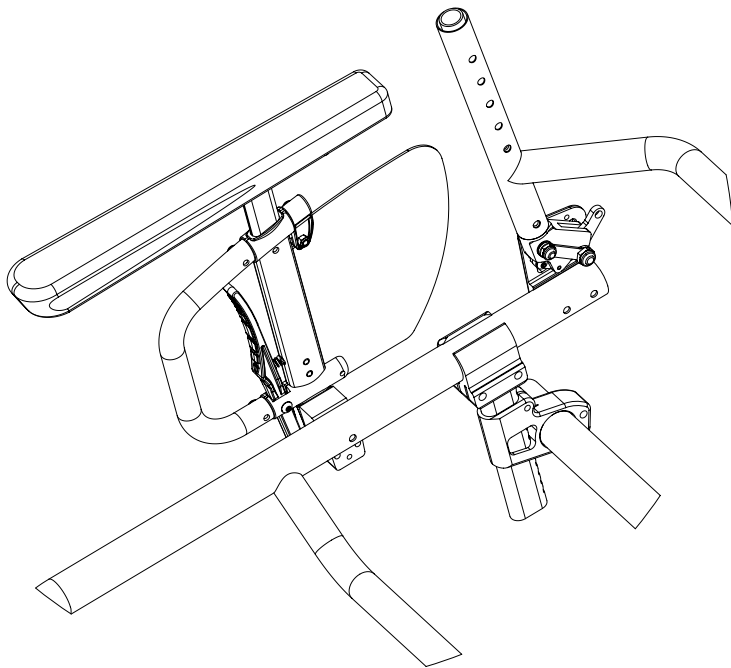
Notes:

- Non-standard desk-arm spacing may require rear wheels spacing to be increased for clearance.
- Offsets are selectable in 1/4" increments up to 1".
- May not work with all chair configurations.

Required information

(Insert required information for CMD-E to complete this request)

Desk Arm Offset (1/4" increments only): _____



Special Instructions



△ NOTE: Permobil's warranty does not cover Creative Mobility Division frames and frame components, unless Permobil determines that the frame or frame component was defectively manufactured.

Adapted spacing on flat, rigid-removable side guard CMD #15

EZ-Ti ID _____

PO# _____

Clinical rationale

Modification is indicated for individuals who may require more width without getting a wider seat width measurement, or who may not be eligible for a new manual wheelchair.

Available on:

TiLite TR, TiLite TRA, TiLite ZR, TiLite ZRA, TiLite Aero T, TiLite Aero Z, TiLite Aero X, TiLite 2GX, TiLite TWIST

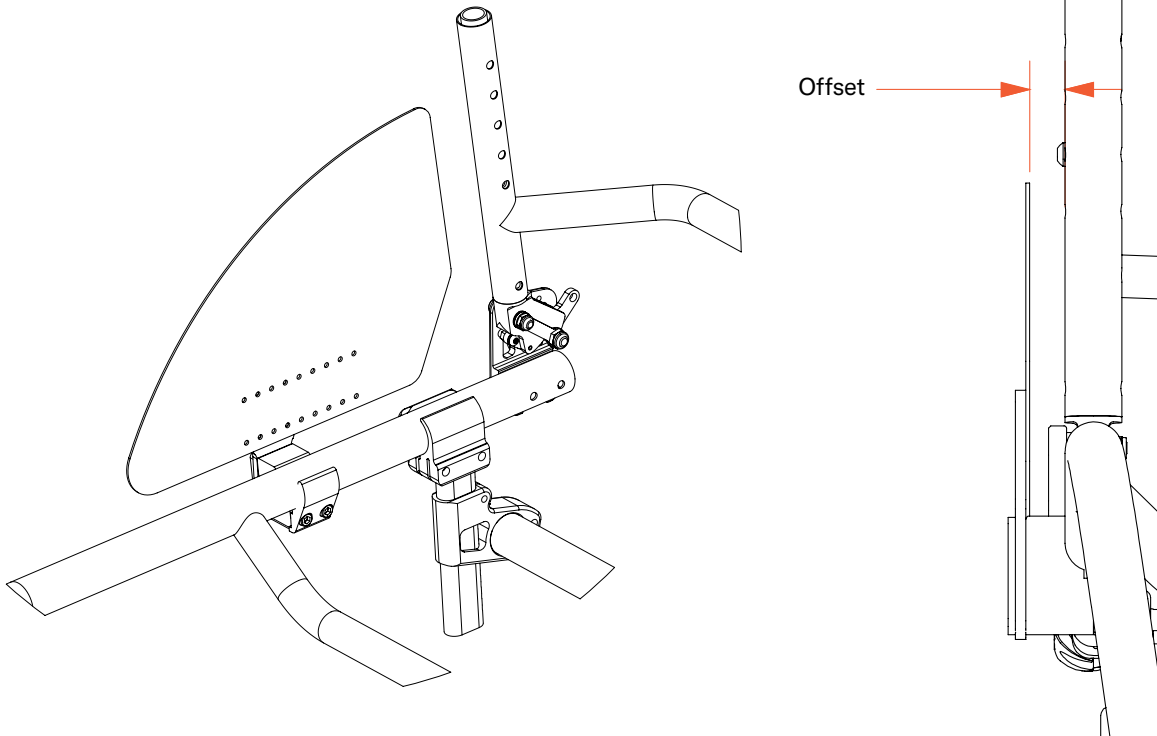
Notes:

- Non-standard side guard spacing may require rear wheels spacing to be increased for clearance.
- Offsets are selectable in 1/4" increments up to 1".
- May not work with all chair configurations.

Required information

(Insert required information for CMD-E to complete this request)

Side guard offset (1/4" increments only): _____



Special Instructions



△ NOTE: Permobil's warranty does not cover Creative Mobility Division frames and frame components, unless Permobil determines that the frame or frame component was defectively manufactured.

Carbon fiber fendered side guards fixed in place CMD #33

EZ-Ti ID _____

PO# _____

Clinical rationale

Modification is indicated for individuals who require fender side guard to protect clothes and they do not require it to be removed.

Available on:

TiLite TR, TiLite TRA, TiLite ZR, TiLite ZRA

Notes:

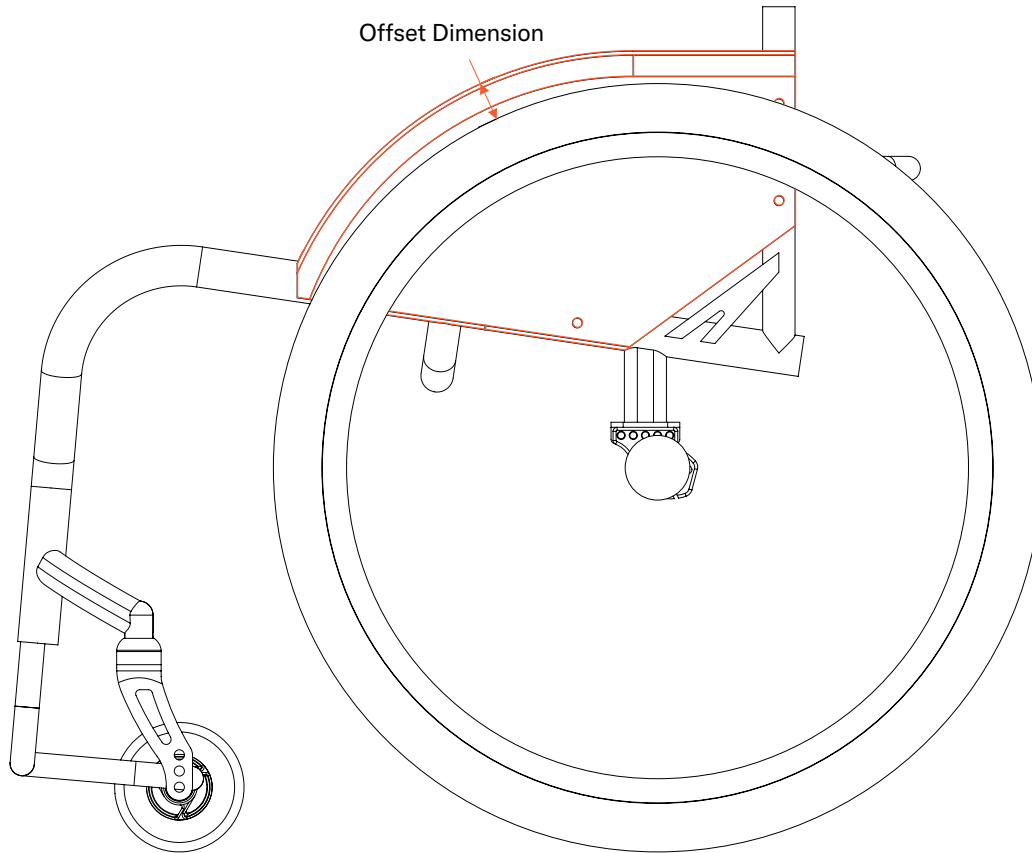
- May not work on all configurations.
- CMD-E to approve clearances and identify limitations.
- Must be on a titanium non-folding backrest.
- Carbon fiber fendered panels ONLY.
- Offset dimension must be no less than 1/4" above rear tire.

Required information

(Insert required information for CMD-E to complete this request)

Default offset will be set at 1/4" above rear tire if no offset dimension is denoted below

Requested Offset Dimension: _____



Special Instructions



△ NOTE: Permobil's warranty does not cover Creative Mobility Division frames and frame components, unless Permobil determines that the frame or frame component was defectively manufactured.

Titanium welded on calf strap loops

CMD #34

EZ-Ti ID _____

PO# _____

Clinical rationale

Modification is indicated for individuals who require precise placement of calf strap for lower extremity positioning and to prevent rearward migration of lower extremities on the footplate.

Available on:

TiLite TR, TiLite TRA, TiLite ZR, TiLite ZRA

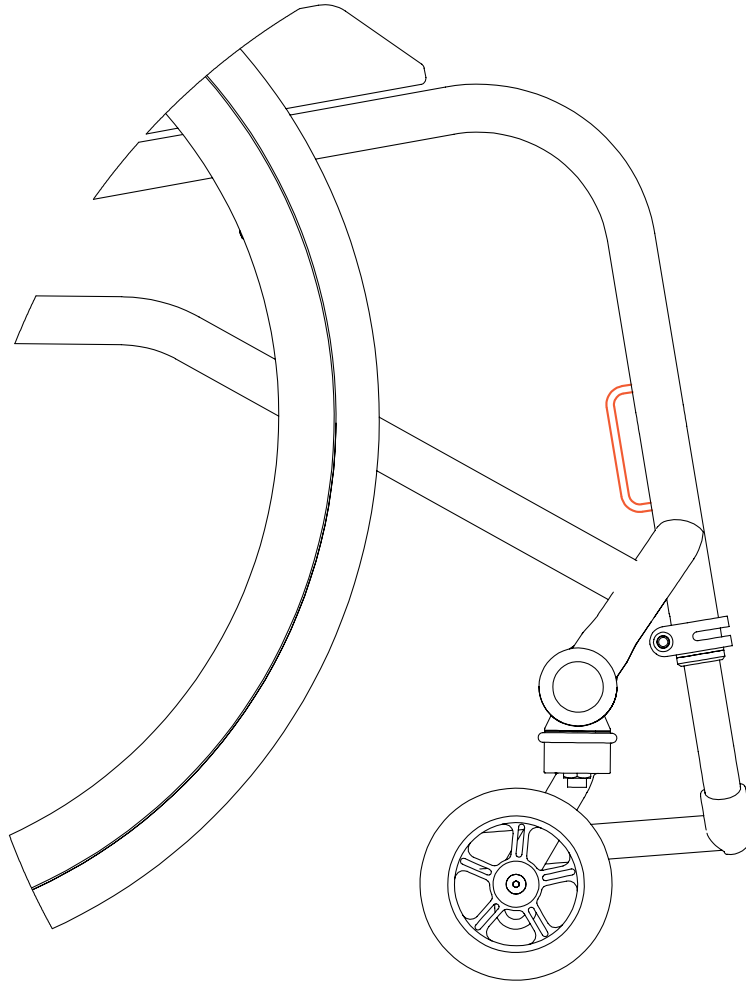
Notes:

- May not work with all chair configurations.
- Only available on Titanium frames.
- This loop will accommodate a 2-inch wide calf strap

Required information

(Insert required information for CMD-E to complete this request)

- Indicate the desired location of the bottom of the loop from the top of the footrest



Special Instructions



△ NOTE: Permobility's warranty does not cover Creative Mobility Division frames and frame components, unless Permobility determines that the frame or frame component was defectively manufactured.

Polished stainless steel side guards

CMD #41

EZ-Ti ID _____

PO# _____

Clinical rationale

Modification indicated for individuals who require a side guard and also desire a side guard that does not remove and has durability.

Available on:

TiLite TR, TiLite TRA, TiLite ZR, TiLite ZRA, TiLite Aero T, TiLite Aero Z, TiLite 2GX, TiLite Aero X

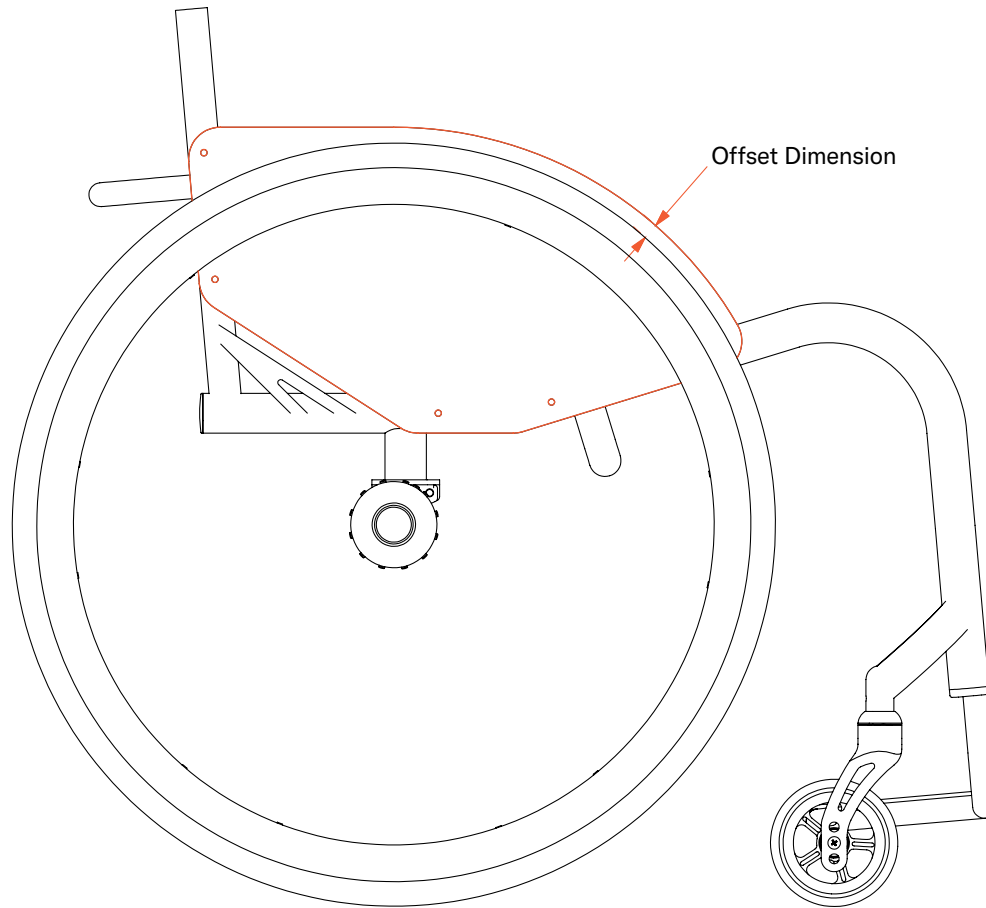
Notes:

- The fixed side guard option is only available on Titanium RIGID wheelchairs with non-folding backrests.
- Side guard panel is profiled to rear wheel unless an offset (above or below the rear tire) is denoted below.
- Rigid-removable side guards are the only ones available on folding chairs (fixed and fold down are not available with folding model wheelchairs).
- May not work with all chair configurations.

Required information

(Insert required information for CMD-E to complete this request)

Offset Dimension: _____

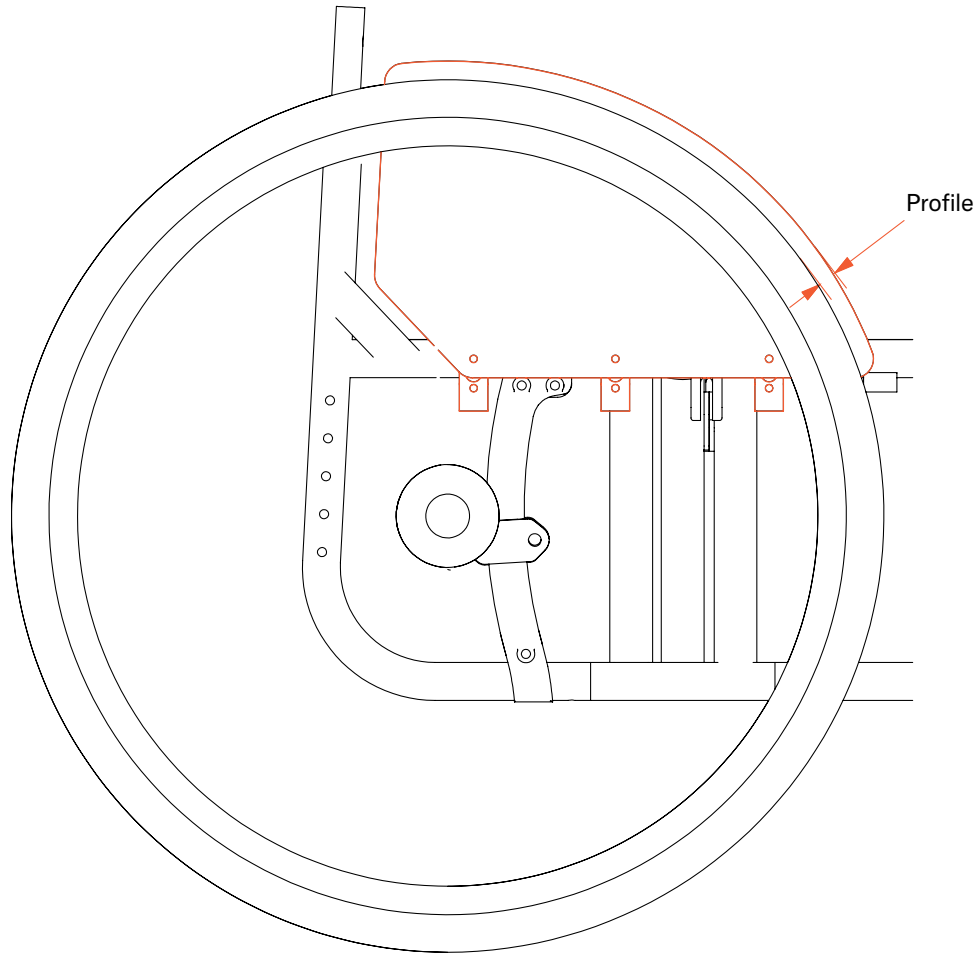


Special Instructions



△ NOTE: Permobil's warranty does not cover Creative Mobility Division frames and frame components, unless Permobil determines that the frame or frame component was defectively manufactured.

Folding chair clamp-on, non-removable side guards CMD #60



EZ-Ti ID _____

PO# _____

Clinical rationale

Modification indicated for individuals who require a side guard and desire a side guard that does not remove and is compatible with a folding frame.

Available on:

TiLite Aero X, TiLite 2GX

Notes:

- Aluminum or Carbon Fiber side guard must be indicated.
- Side guard panel can be above or below the rear tire.
- Side guards will be cut profiling the rear tire if no offset is selected below.
- Aluminum side guards are black powder coated with edge molding.
- May not work with all chair configurations.

Required information

(Insert required information for CMD-E to complete this request)

Offset: _____

Above or Below Tire Diameter: _____

Carbon Fiber OR Aluminum

Special Instructions



△ NOTE: Permobil's warranty does not cover Creative Mobility Division frames and frame components, unless Permobil determines that the frame or frame component was defectively manufactured.

Flat fixed side guards

CMD #73

EZ-Ti ID _____

PO# _____

Clinical rationale

Modification indicated for individuals who require a side guard and desire a side guard that does not remove.

Available on:

TiLite TR, TiLite TRA, TiLite TX1, TiLite ZR, TiLite ZRA

Notes:

- Non-folding backrest required.
- May not work with all chair configurations.
- Side guard panel is profiled to rear wheel unless off-set dimension is indicated below.
- Side guard panel can be Aluminum or Carbon Fiber. Please indicate below

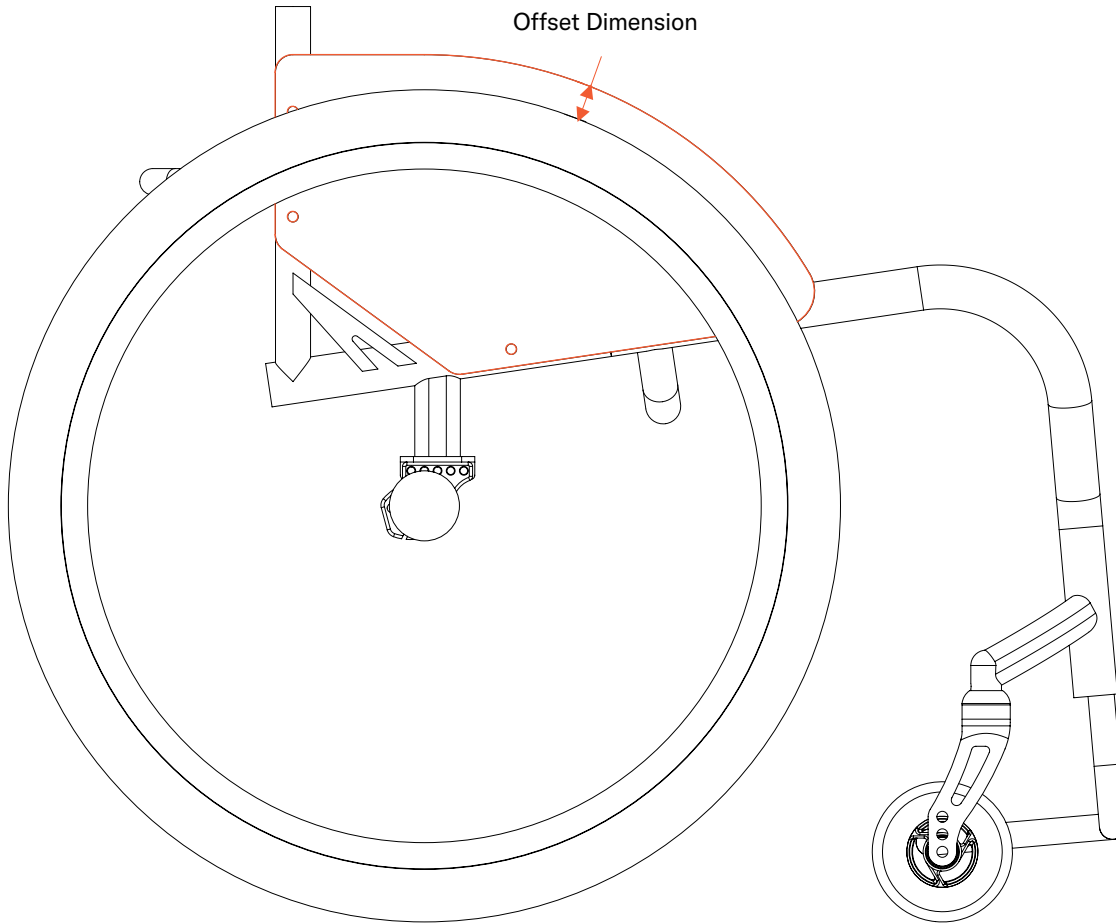
Required information

(Insert required information for CMD-E to complete this request)

Offset Dimension: _____ (in 1/4" increments)

Above OR Below tire profile

Aluminum OR Carbon fiber



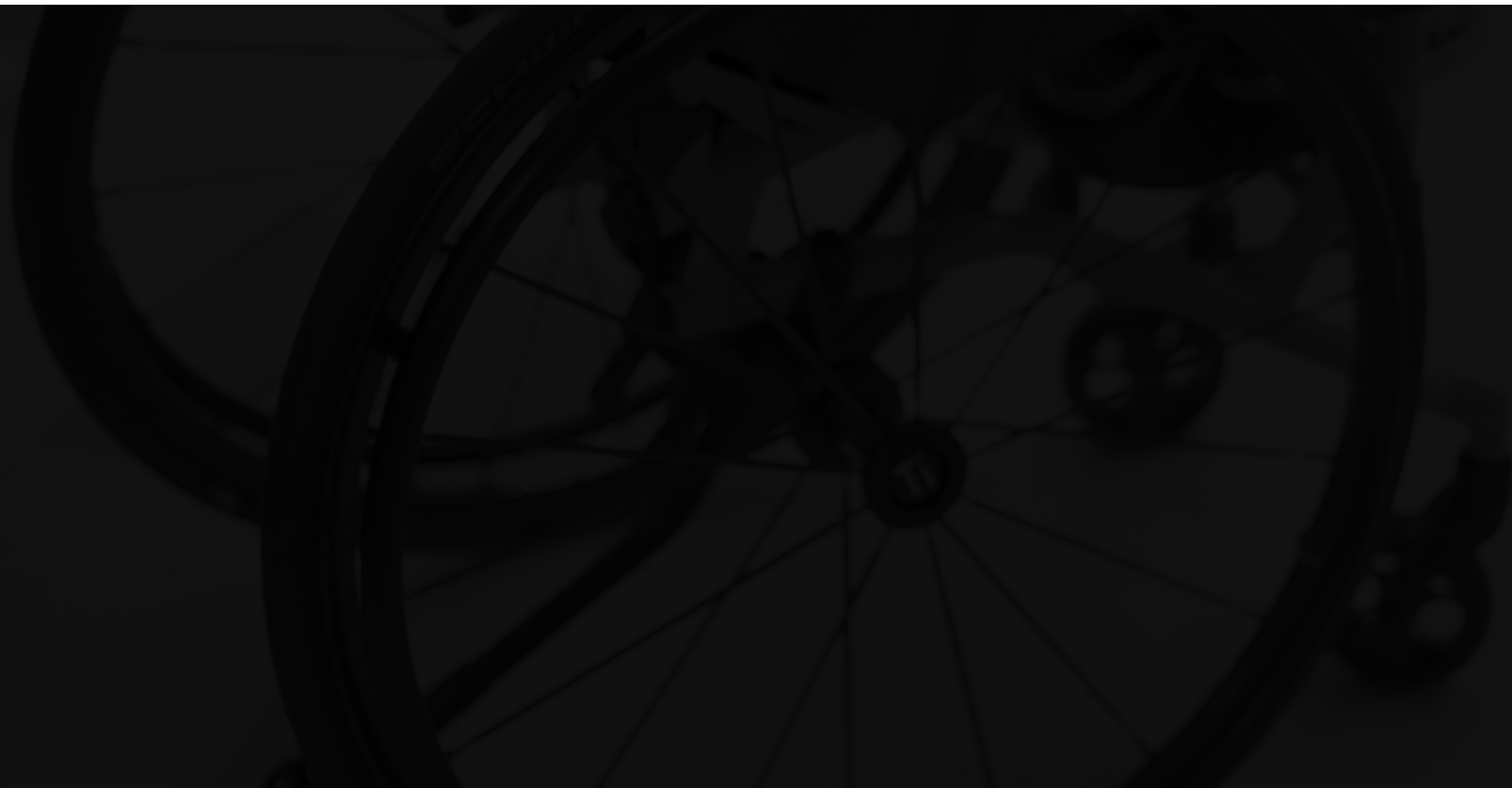
Special Instructions



△ NOTE: Permobil's warranty does not cover Creative Mobility Division frames and frame components, unless Permobil determines that the frame or frame component was defectively manufactured.

TiLite manual wheelchairs | Creative Mobility Division

Armrest options



Unique range height adjustable, Flip-Back Armrest CMD #24

EZ-Ti ID _____

PO# _____

Clinical rationale

Modification is indicated for individuals who present with unique and specific upper extremity positioning that is not available on the standard order form.

Available on:

TiLite TR, TiLite TRA, TiLite ZR, TiLite ZRA, TiLite Aero T, TiLite Aero Z, TiLite Aero X, TiLite 2GX

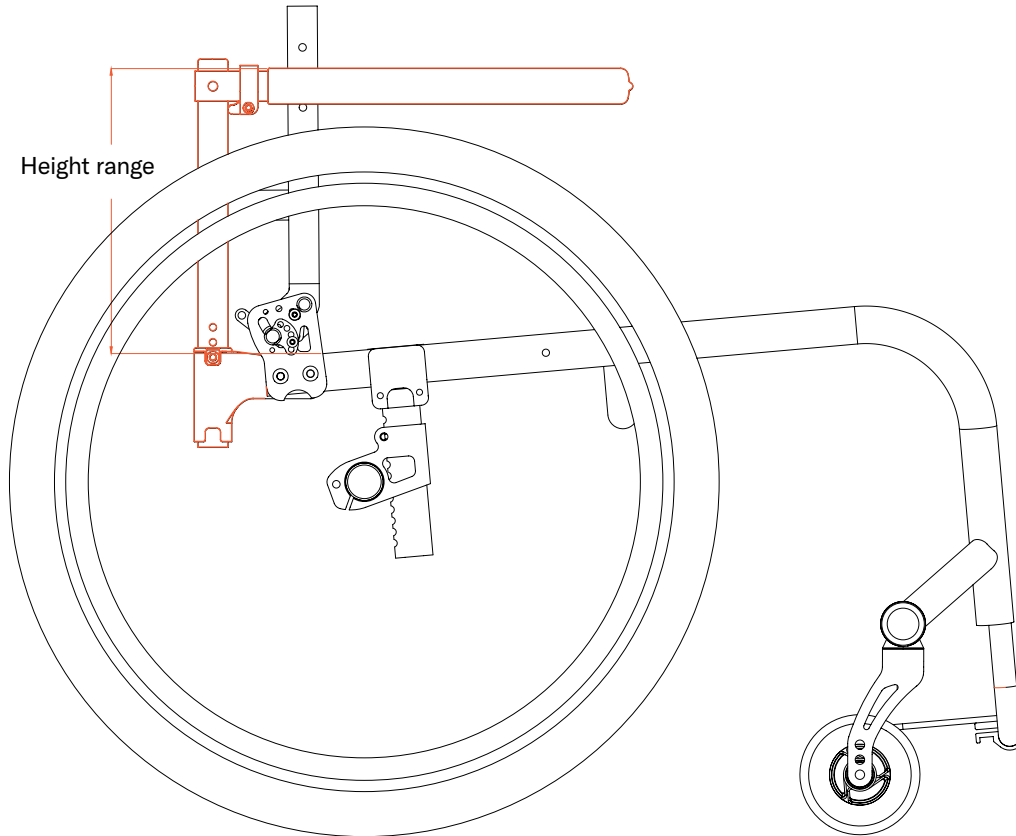
Notes:

- Height must be denoted from rear of seat to top of the armrest with the top of armrest parallel to the floor.
- Height range must not exceed 3" above standard range.
- The lower armrest ranges may not be achievable due to rear wheel/tire diameter and the armrest height proximity.
- The modified armrest upright will be made from titanium and will have a satin-blasted finish.
- May not work with all chair configurations.

Required information

(Insert required information for CMD-E to complete this request)

Height range: _____ to _____



Special Instructions



△ NOTE: Permobil's warranty does not cover Creative Mobility Division frames and frame components, unless Permobil determines that the frame or frame component was defectively manufactured.

Adapted height swing-away armrest CMD #51

EZ-Ti ID _____

PO# _____

Clinical rationale

Modification indicated for individuals who present with upper extremity shape and positioning that the standard swing-away armrest is not long enough for and does not provide the appropriate support.

Available on:

TiLite TR, TiLite TRA, TiLite ZR, TiLite ZRA, TiLite Aero T, TiLite Aero Z, TiLite Aero X, TiLite 2GX, TiLite TWIST

Notes:

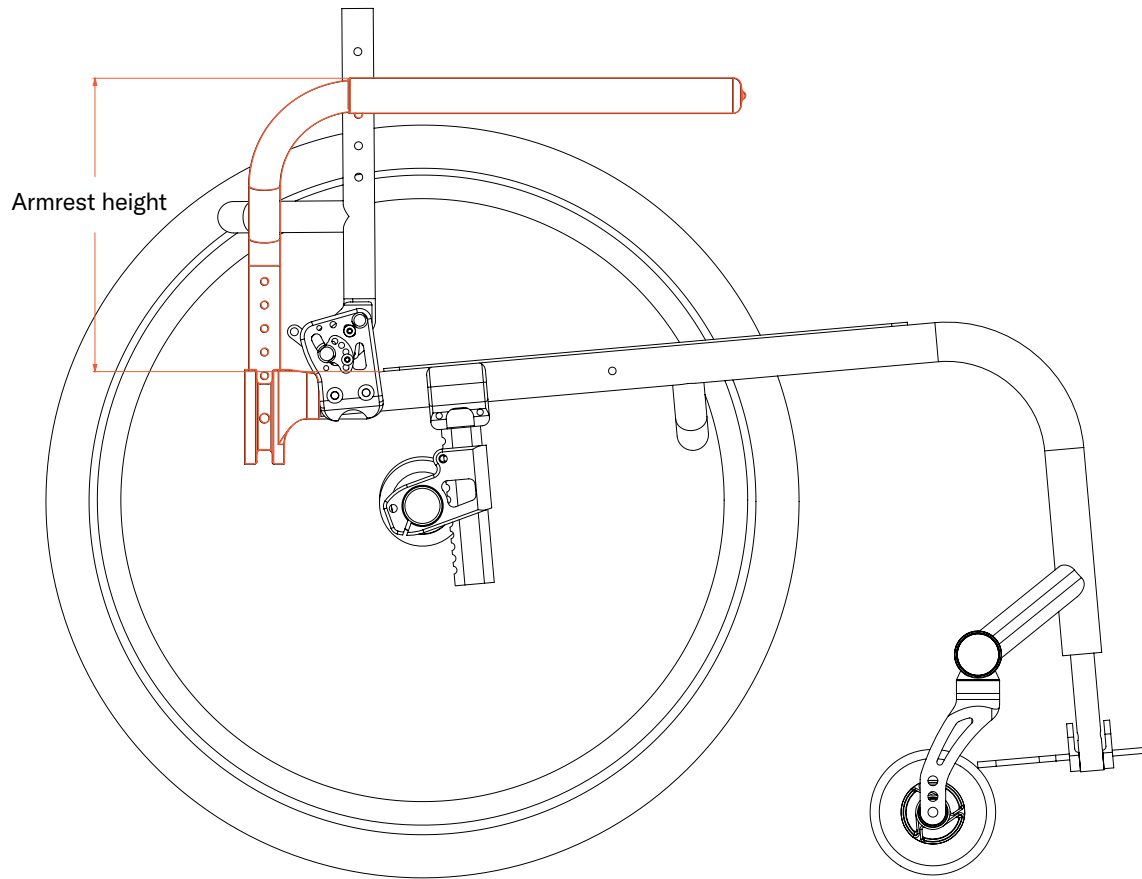
- Modified armrest will be made from titanium and will have a satin blasted finish
- If intended for a Twist model, the armrest assembly will be sent with adult style armrest receptacle
- May not work with all chair configurations.

Required information

(Insert required information for CMD-E to complete this request)

Length (3" more than standard is maximum): _____

Angle from top tube to floor if not standard: _____



Special Instructions



△ NOTE: Permobil's warranty does not cover Creative Mobility Division frames and frame components, unless Permobil determines that the frame or frame component was defectively manufactured.

Adapted length swing-away armrest with foam cover CMD #52

EZ-Ti ID _____

PO# _____

Clinical rationale

Modification indicated for individuals who present with upper extremity shape and positioning that the standard swing-away armrest is not long enough for and does not provide the appropriate support.

Available on:

TiLite TR, TiLite TRA, TiLite Aero T, TiLite ZR, TiLite ZRA, TiLite Aero Z, TiLite Aero X, TiLite 2GX

Notes:

- Select length based off of std arm length.
- May not work with all chair configurations.
- Maximum length is 4" more than standard.

Required information

(Insert required information for CMD-E to complete this request)

Length Longer/Shorter than standard

Longer: _____ (4" max length increase)

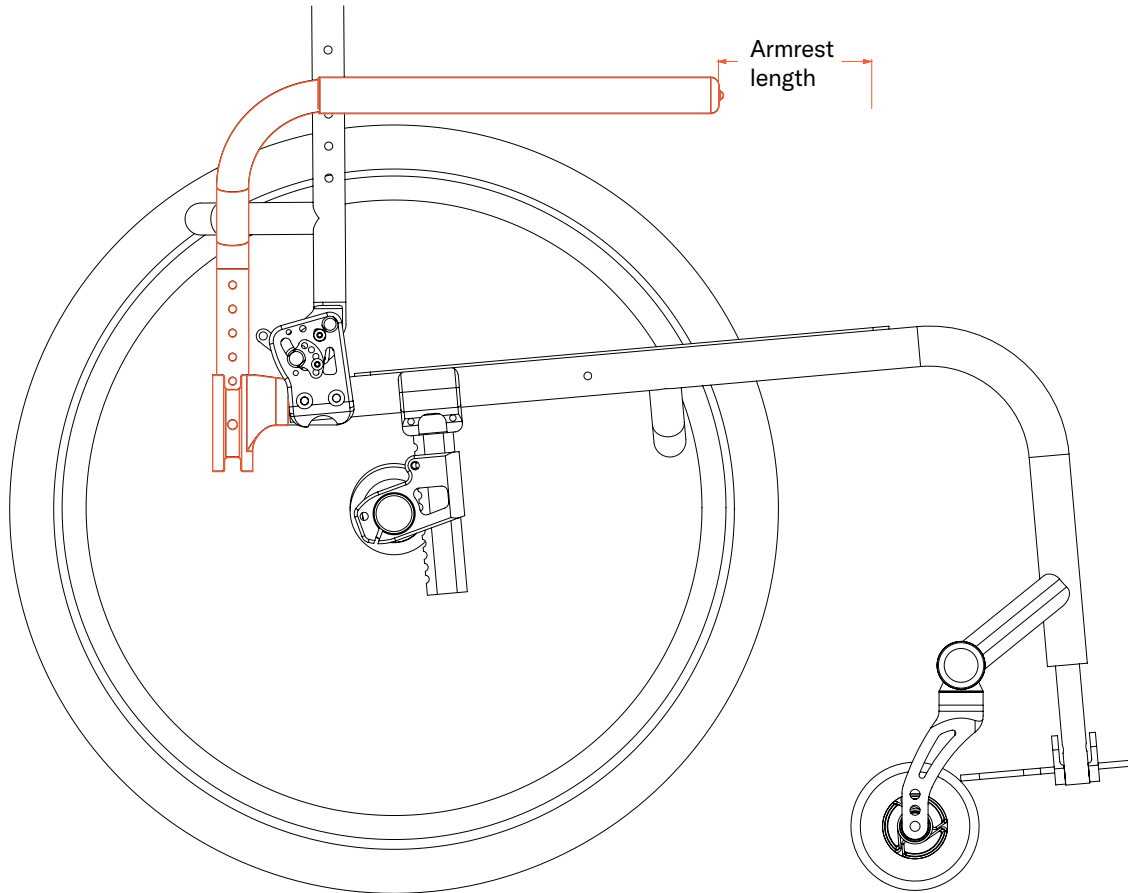
OR

Shorter: _____

Note:

-Standard will be aluminum with black finish and solid plugs on the ends. Alternative option of titanium with satin finish is available for 1" tubular armrests.

Aluminum OR Titanium



Special Instructions



△ NOTE: Permobil's warranty does not cover Creative Mobility Division frames and frame components, unless Permobil determines that the frame or frame component was defectively manufactured.

Adapted length flip-back swing-away armrest with foam cover CMD #53

EZ-Ti ID _____

PO# _____

Clinical rationale

Modification indicated for individuals who present with upper extremity shape and positioning that the standard swing-away armrest is not long enough for and does not provide the appropriate support.

Available on:

TiLite TR, TiLite TRA, TiLite Aero T, TiLite ZR, TiLite ZRA, TiLite Aero Z, TiLite Aero X, TiLite 2GX

Notes:

- Select length based off of standard armrest length
- May not work with all chair configurations.
- Maximum length is 4" more than standard.

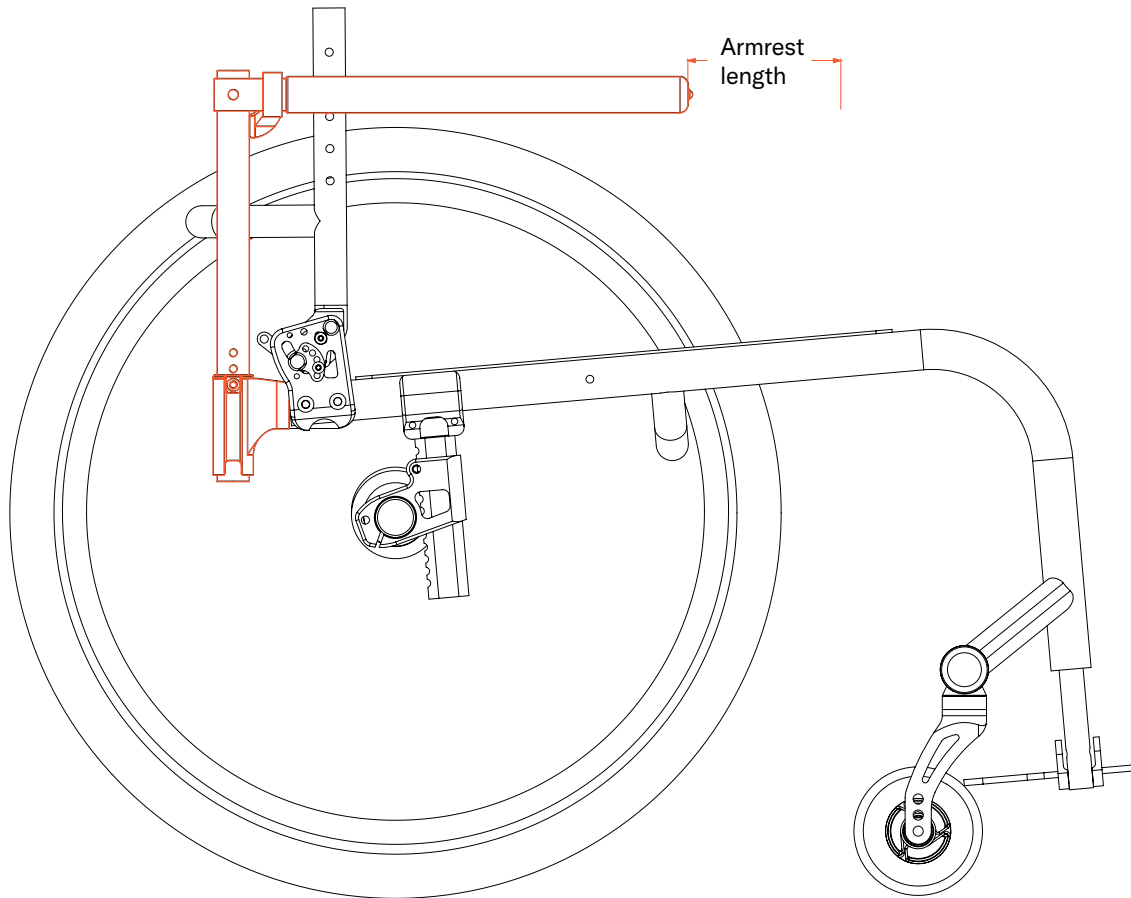
Required information

(Insert required information for CMD-E to complete this request)

Longer: _____ (4" max length increase)

OR

Shorter: _____



Special Instructions



△ NOTE: Permobil's warranty does not cover Creative Mobility Division frames and frame components, unless Permobil determines that the frame or frame component was defectively manufactured.

Standard (10" long) deskarm pad on swing-away tubular armrest CMD #58

EZ-Ti ID _____

PO# _____

Clinical rationale

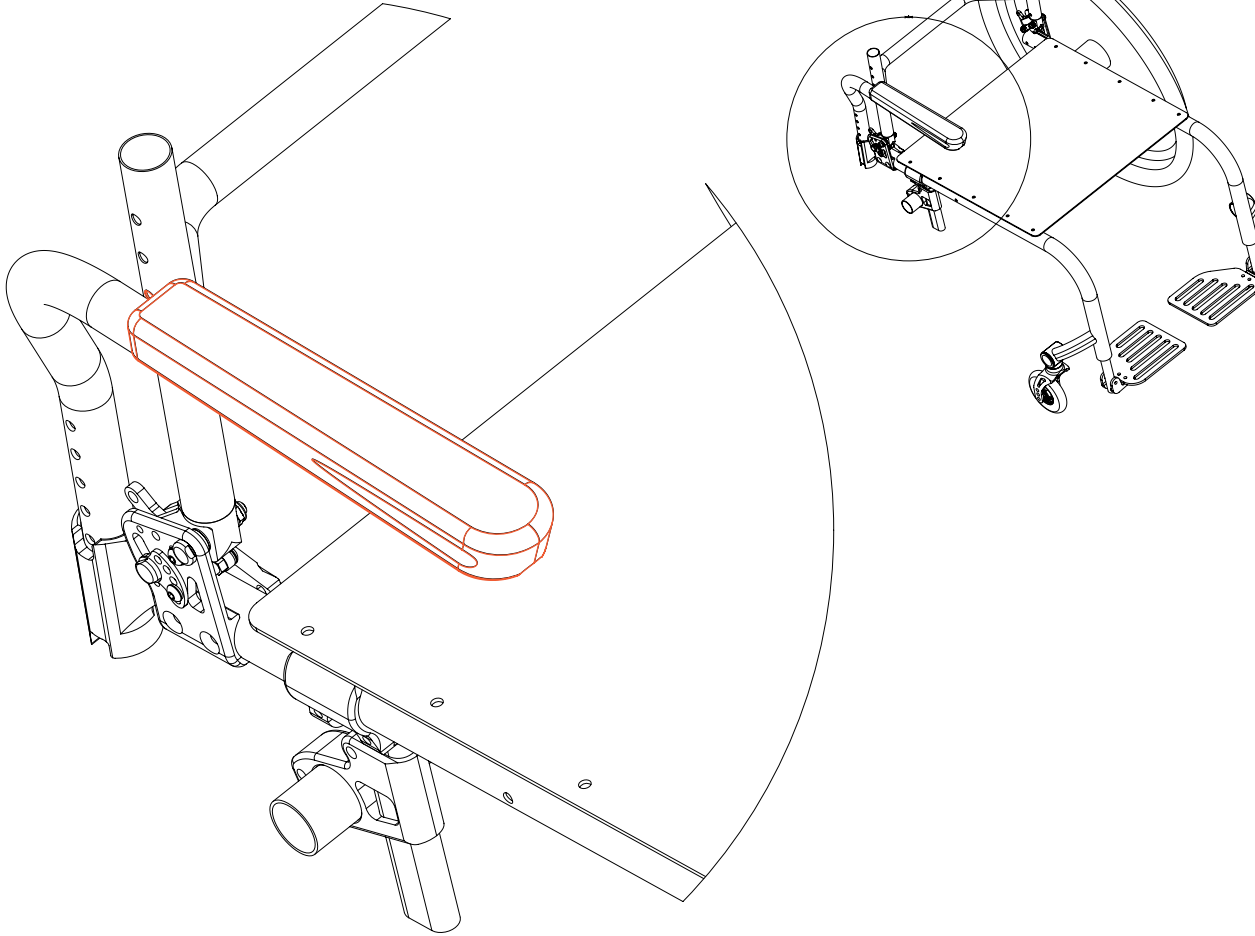
Modification for additional support for upper extremity positioning and comfort as well as functionally for repositioning and transfers while maintaining a more compact and lightweight design.

Available on:

TiLite TR, TiLite TRA, TiLite ZR, TiLite ZRA, TiLite Aero T, TiLite Aero Z, TiLite Aero X, TiLite 2GX

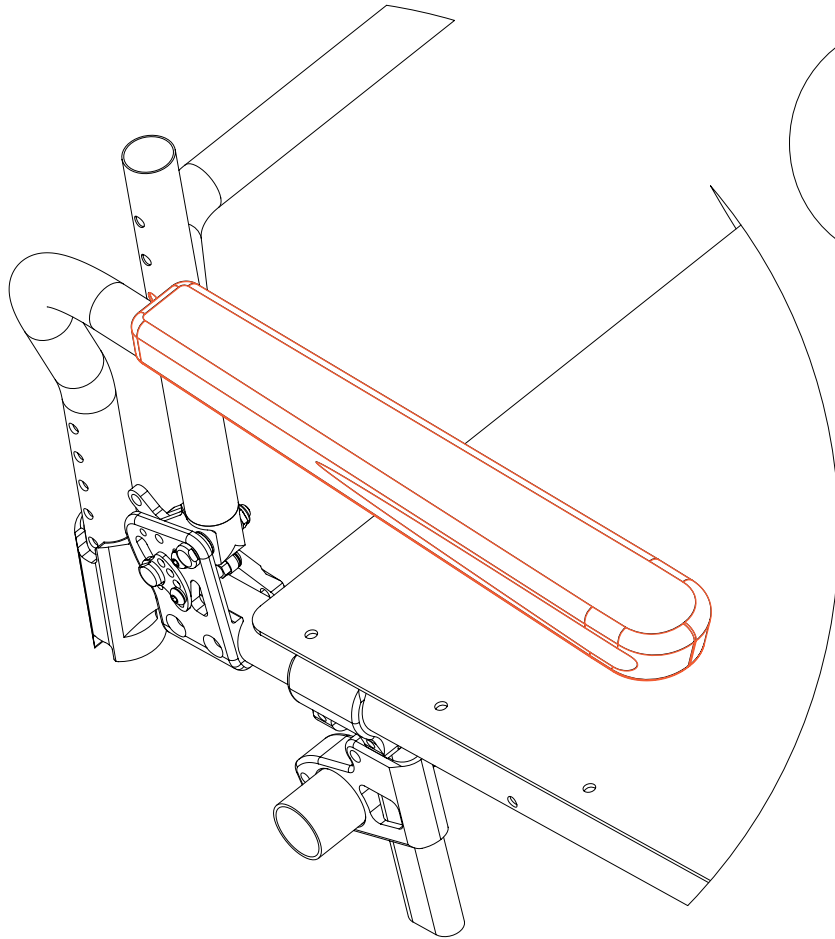
Notes:

- Swing-away armrests need to be ordered with this option.
- May not work with all chair configurations.



Special Instructions

Full (14" long) desk arm pad on swing-away tubular armrest CMD #59



EZ-Ti ID _____

PO# _____

Clinical rationale

Modification indicated for additional support for upper extremity positioning and comfort as well as functionally for repositioning and transfers while maintaining a more compact and lightweight design.

Available on:

TiLite TR, TiLite TRA, TiLite ZR, TiLite ZRA, TiLite Aero T, TiLite Aero Z, TiLite Aero X, TiLite 2GX

Notes:

- Swing-away armrests need to be ordered with this option.
- Full length desk arm pad attached to swing-away armrest tube.
- May not work with all chair configurations.

Required information

(Insert required information for CMD-E to complete this request)

Note: Standard will be aluminum with black finish and solid plugs on the ends. Alternative option of titanium with satin finish is available for 1" tubular armrests.

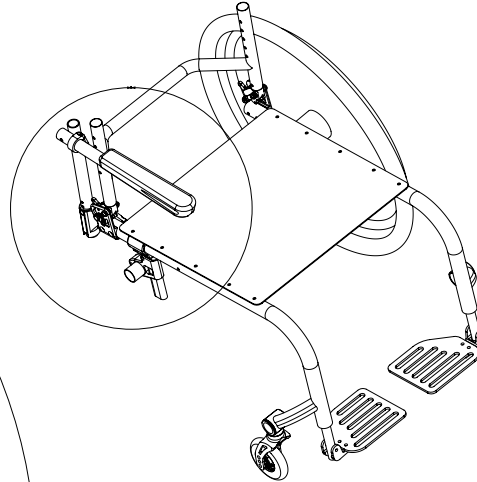
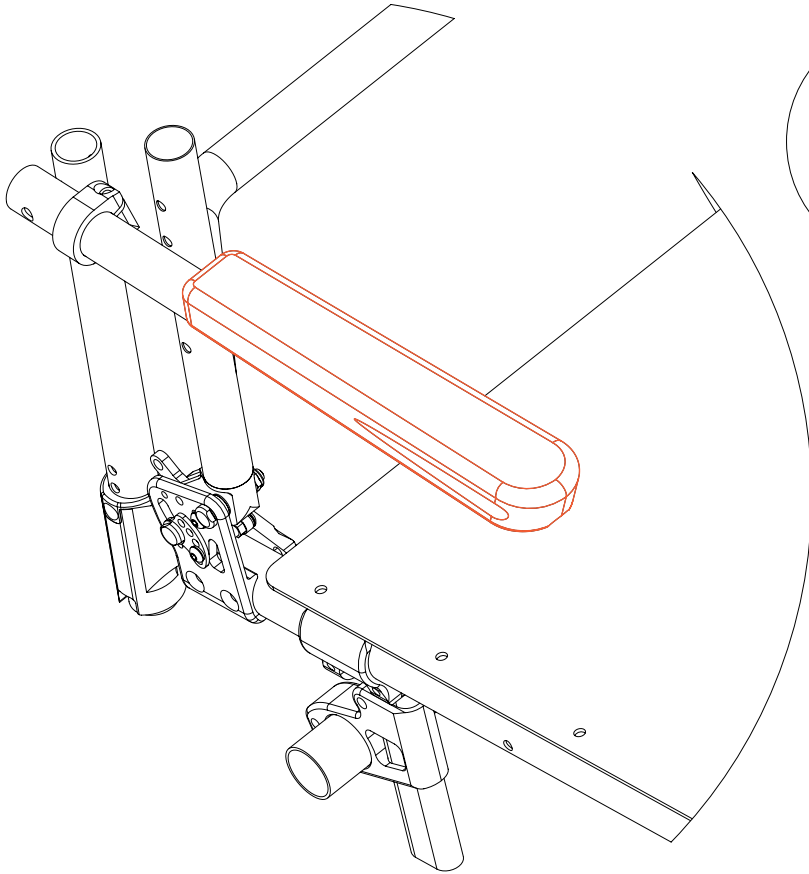
Aluminum OR Titanium

Special Instructions



△ NOTE: Permobil's warranty does not cover Creative Mobility Division frames and frame components, unless Permobil determines that the frame or frame component was defectively manufactured.

Standard (10" long) desk arm pad on flip-back tubular armrest CMD #66



EZ-Ti ID _____

PO# _____

Clinical rationale

Modification indicated for additional support for upper extremity positioning and comfort as well as functionally for repositioning and transfers while maintaining a compact and lightweight flip-back design.

Available on:

TiLite TR, TiLite TRA, TiLite ZR, TiLite ZRA, TiLite Aero Z, TiLite Aero T, TiLite Aero X, TiLite 2GX

Notes:

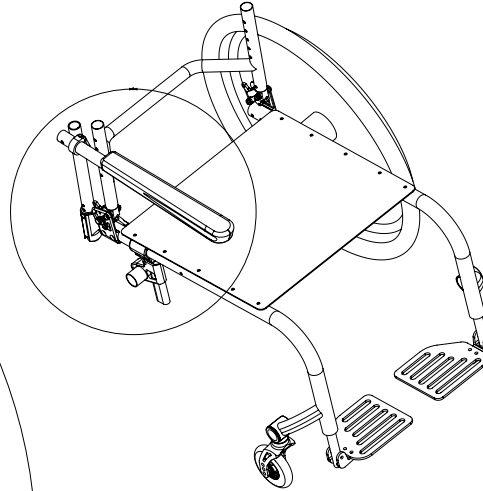
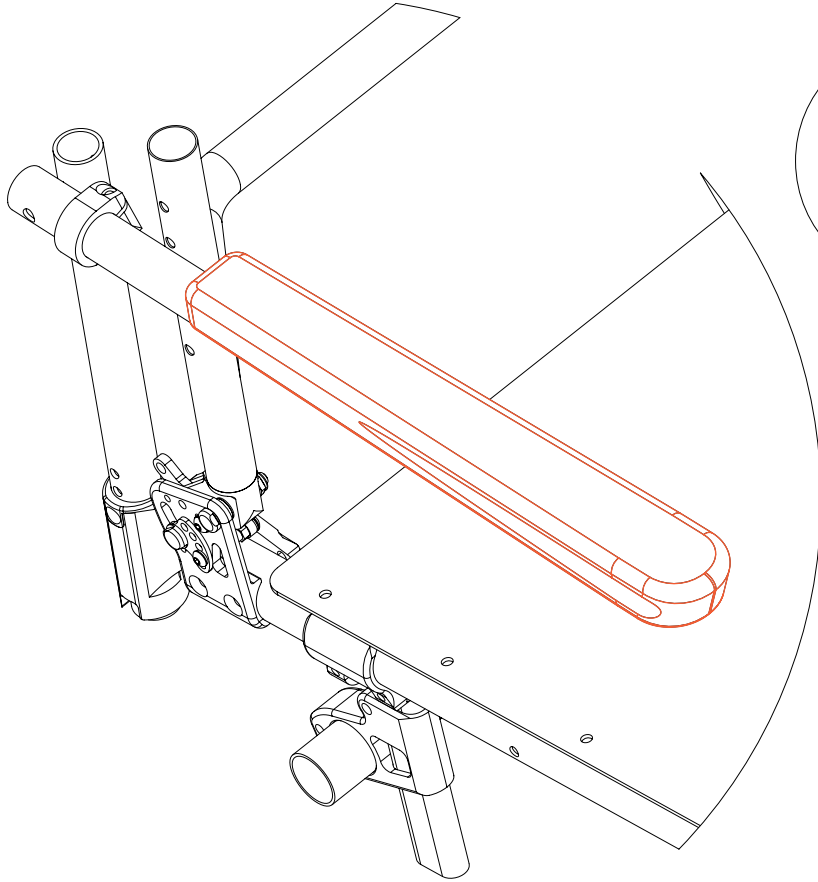
- At minimum, the top of the flip-up armrests need to be ordered with this option.
- May not work with all chair configurations.

Special Instructions



△ NOTE: Permobil's warranty does not cover Creative Mobility Division frames and frame components, unless Permobil determines that the frame or frame component was defectively manufactured.

Standard (14" long) desk arm pad on flip-back tubular armrest CMD #67



EZ-Ti ID _____

PO# _____

Clinical rationale

Modification indicated for additional support for upper extremity positioning and comfort as well as functionally for repositioning and transfers while maintaining a compact and lightweight flip-back design.

Available on:

TiLite TR, TiLite TRA, TiLite ZR, TiLite ZRA, TiLite Aero Z, TiLite Aero T, TiLite Aero X, TiLite 2GX

Notes:

- May not work with all chair configurations.

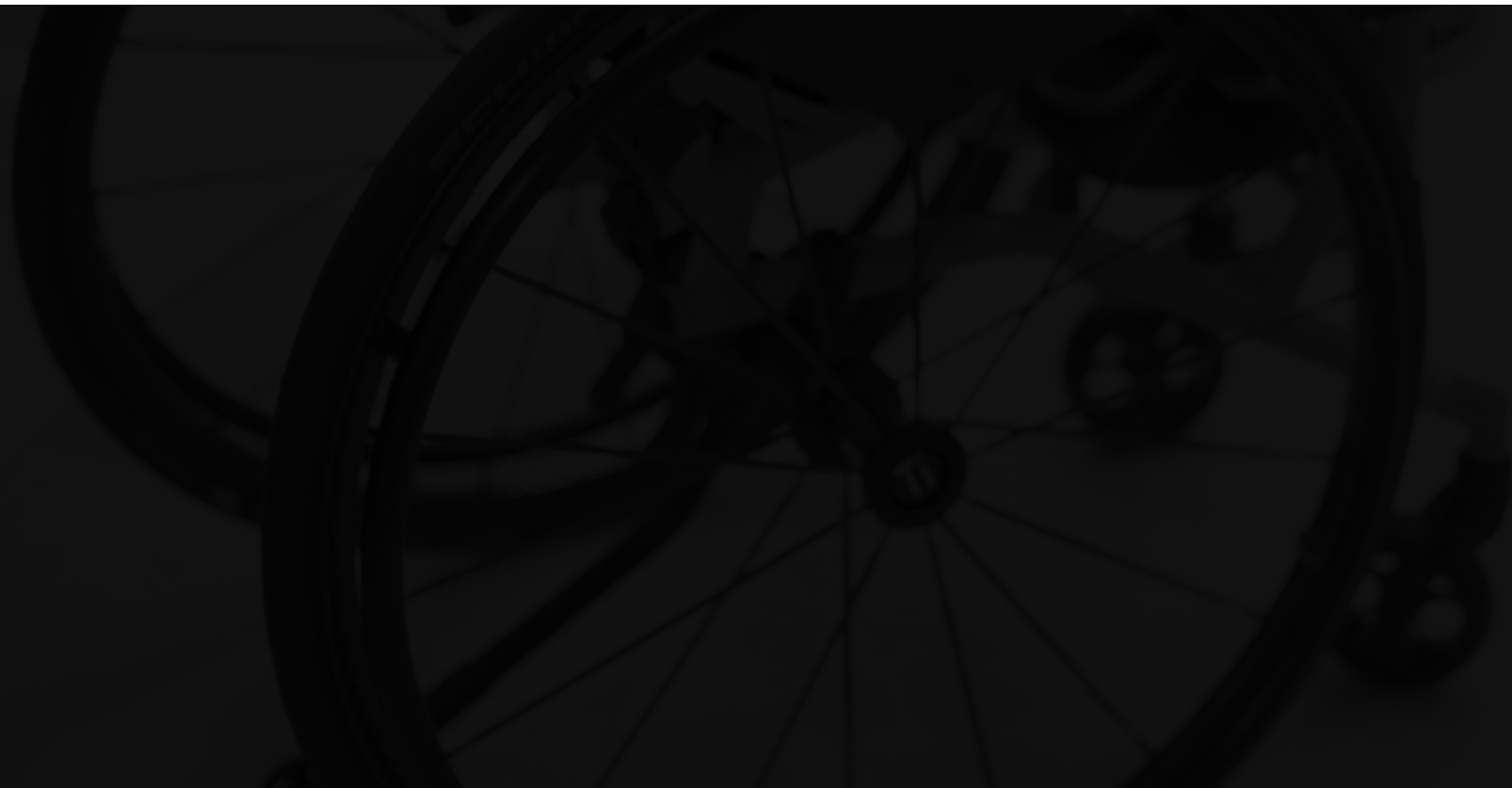
Special Instructions



△ NOTE: Permobil's warranty does not cover Creative Mobility Division frames and frame components, unless Permobil determines that the frame or frame component was defectively manufactured.

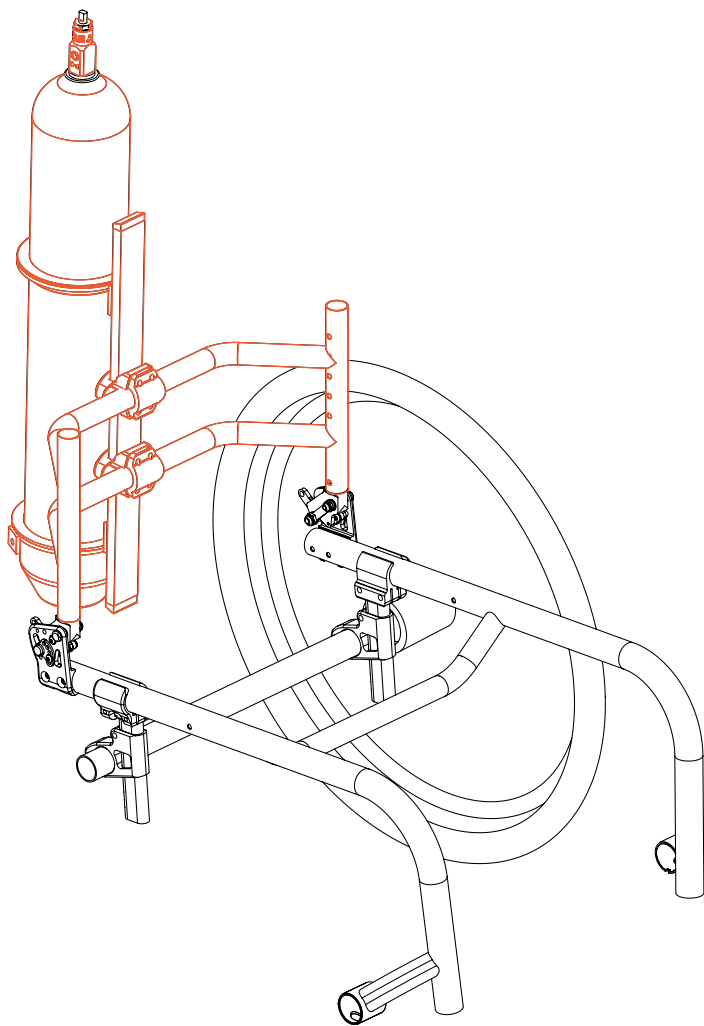
TiLite manual wheelchairs | Creative Mobility Division

Accessory options



Oxygen tank holder (rigid chairs)

CMD #1



EZ-Ti ID _____

PO# _____

Clinical rationale

Modification indicated for clients who require supplemental oxygen to maintain oxygen saturation levels about 90%.

Available on:

TiLite TRA, TiLite ZRA, TiLite Aero T, TiLite Aero Z, TiLite TWIST

Notes:

- Must have a medium or tall-range backrest.
- Chair requires two backrest loops.
- Backrest loops must be 4" or deeper.
- Anti-tips are required.
- May not work with all chair configurations.
- Not available with bolt on push handles.
- Not available with short backrest ranges.
- Not available with tie down options.
- Available to hold 4.3" tanks or smaller. (Tank sizes A(M-4), B(M-6), C(M-9), D(M-15), E(M-24), M-2, ML-6 and M-7)
- Option to mount in right, left or center.
- Note: For TWIST:
 - Center Mount only.
 - The backrest will not grow.

Required information

(Insert required information for CMD-E to complete this request)

Mounting location (choose one): Left Right Center

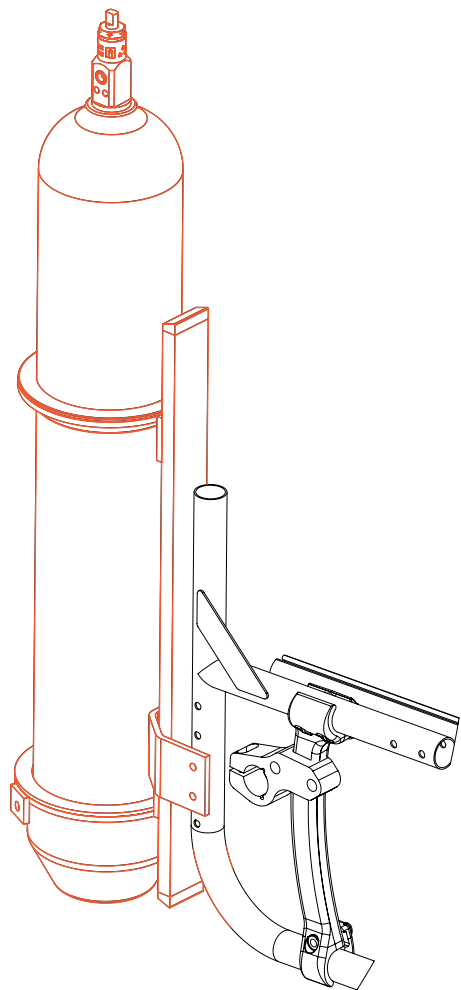
Special Instructions



△ NOTE: Permobil's warranty does not cover Creative Mobility Division frames and frame components, unless Permobil determines that the frame or frame component was defectively manufactured.

Oxygen tank holder (folding chairs)

CMD #2



EZ-Ti ID _____

PO# _____

Clinical rationale

Modification indicated for clients who require supplemental oxygen to maintain oxygen saturation levels about 90%.

Available on:

TiLite Aero X, TiLite 2GX

Notes:

- N/A with bolt-on push handles or tie down options.
- Anti-tips are required with this option.
- Will not work with User-friendly Anti-tips.
- Only available in 4.3" tank sizes or smaller. (Tank sizes A(M-4), B(M-6), C(M-9), D(M-15), E(M-24), M-2, ML-6 and M-7.
- Oxygen tank can be mounted on right side or left side of frame.
- May not work with all chair configurations.

Required information

(Insert required information for CMD-E to complete this request)

Tank size meets the above parameters

Mounting location (choose one): Left OR Right

Special Instructions



△ NOTE: Permobil's warranty does not cover Creative Mobility Division frames and frame components, unless Permobil determines that the frame or frame component was defectively manufactured.

TWIST style anti-tip on rigid chairs

CMD #47

EZ-Ti ID _____

PO# _____

Clinical rationale

This modification is indicated for individuals who require a maneuverable and supportive anti-tipper when their front wheels are off of the ground.

Available on:

TiLite TR, TiLite TRA, TiLite ZR, TiLite ZRA, TiLite Aero T, TiLite Aero Z

Notes:

- Only available on rigid chairs.
- Maximum user weight of 165 lb.
- Maximum chair width of 15".
- May not work with all chair configurations.

Required information

(Insert required information for CMD-E to complete this request)

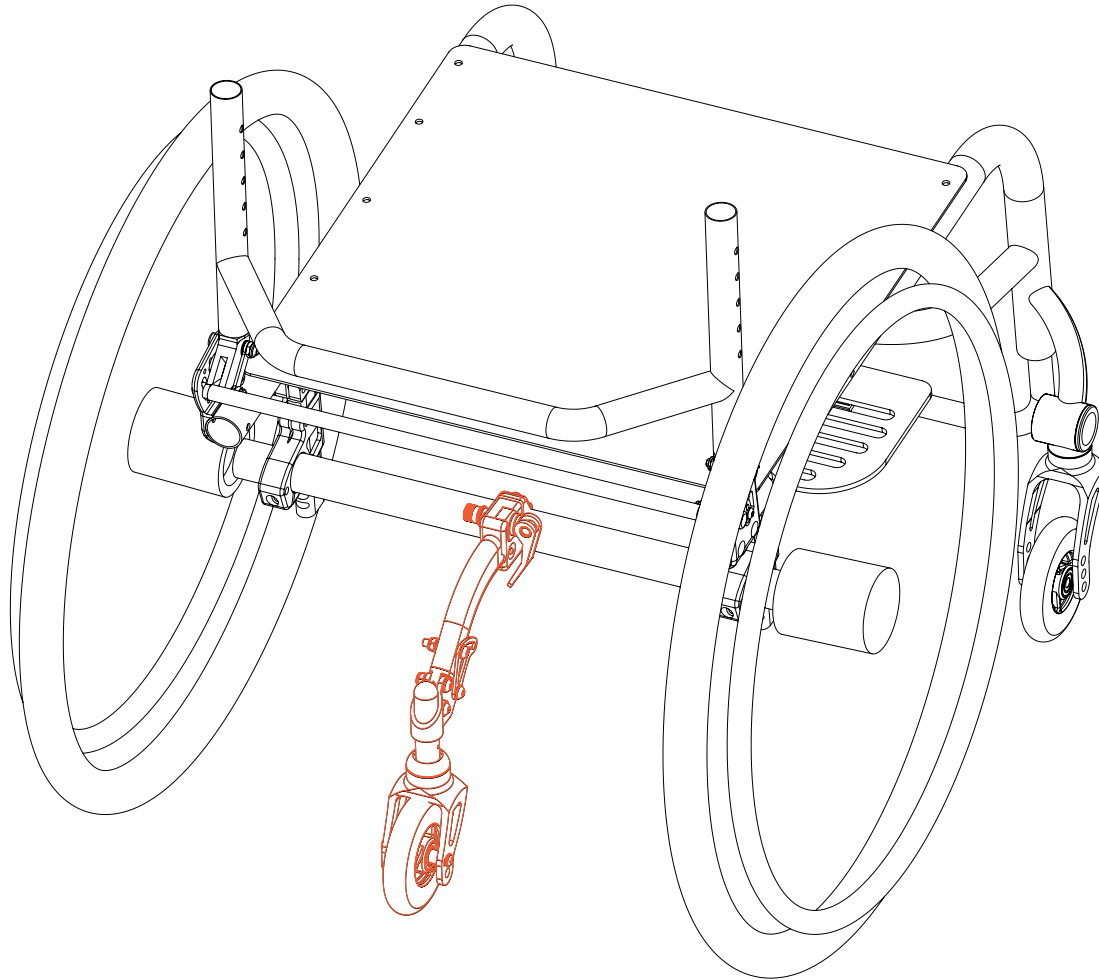
Rear wheel spacing desired _____

Camber desired _____

Additional information if a parts order:

Rear wheel and tire type _____

Current rear seat height _____



Special Instructions

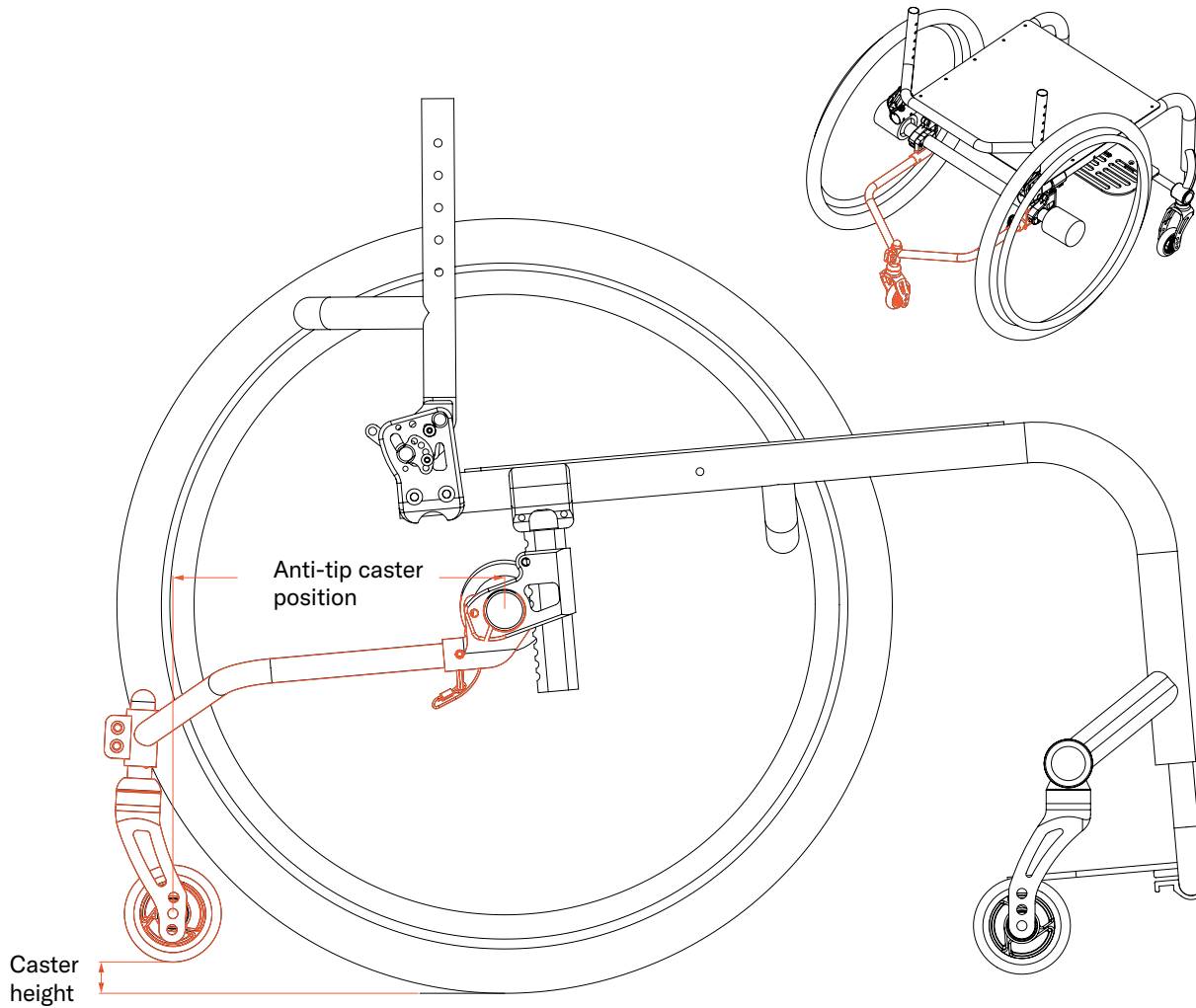


△ NOTE: Permobil's warranty does not cover Creative Mobility Division frames and frame components, unless Permobil determines that the frame or frame component was defectively manufactured.

Titanium single swivel caster anti-tip CMD #69

EZ-Ti ID _____

PO# _____



Clinical rationale

This modification is indicated for individuals who require a maneuverable and supportive anti-tipper when their front wheels are off of the ground. This modification provides the lightweight strength of titanium.

Available on:

TiLite TR, TiLite ZR, TiLite ZRA, TiLite Aero Z, TiLite TRA, TiLite Aero T

Notes:

- Only available on Rigid Frames.
- May not work with all chair configurations.
- Design is subject to our stability requirements.
- Wheel to floor (dimension A) = 3/8" in lowest position.
- It is recommended that when the anti-tip is used that wheel be, at most, 3/8" from the floor.
- Limited to 300 lbs. weight limit chairs or lower

Required information

(Insert required information for CMD-E to complete this request)

Select Style:

Flip-up Fixed

Anodized Color desired on anti-tip fork: (select color from order form) _____

Caster Size on 5th wheel (3, 4, 5 or 6-inch) _____*

* 3-inch caster wheel will be the default if no size is selected

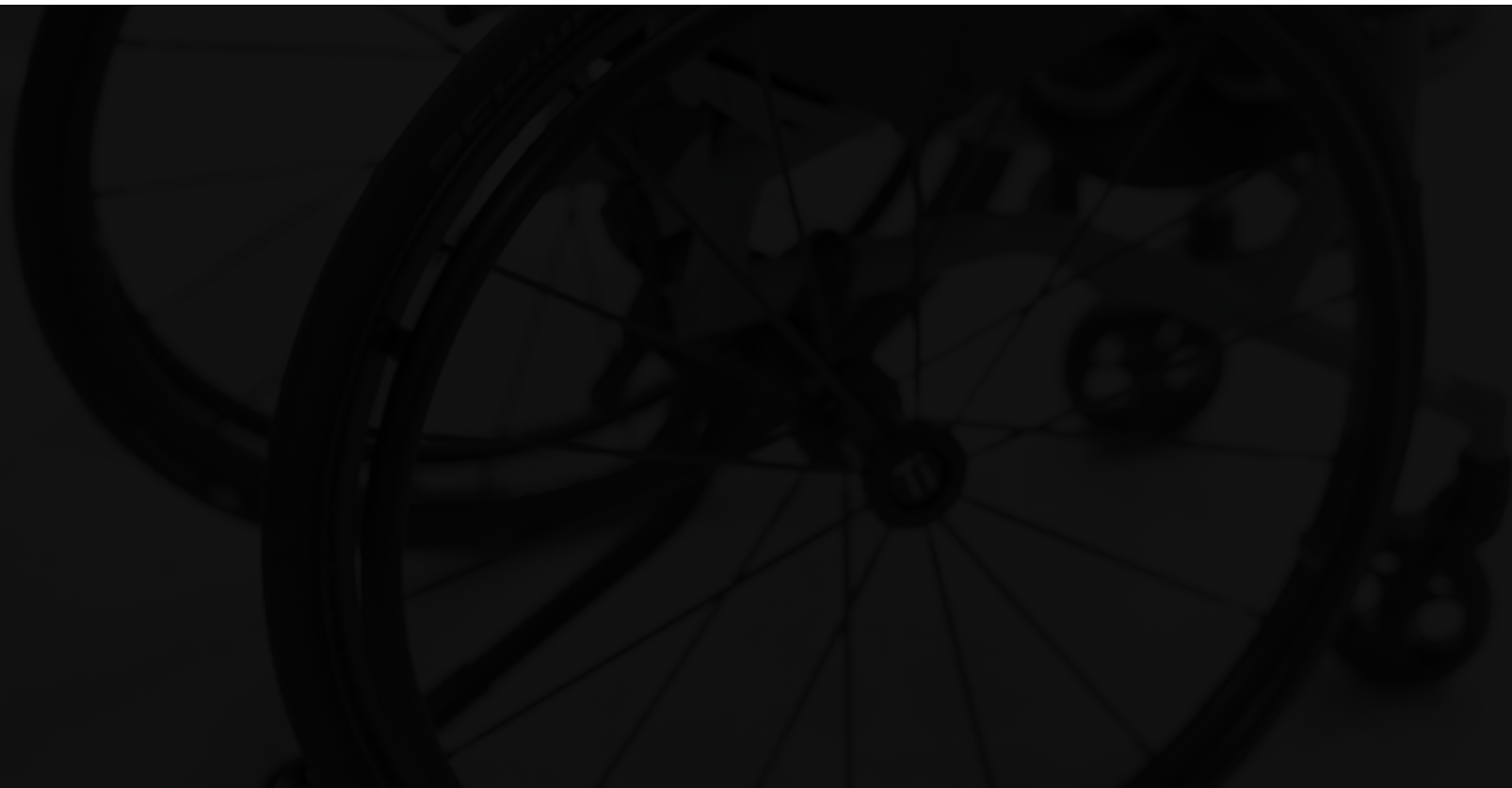
Special Instructions



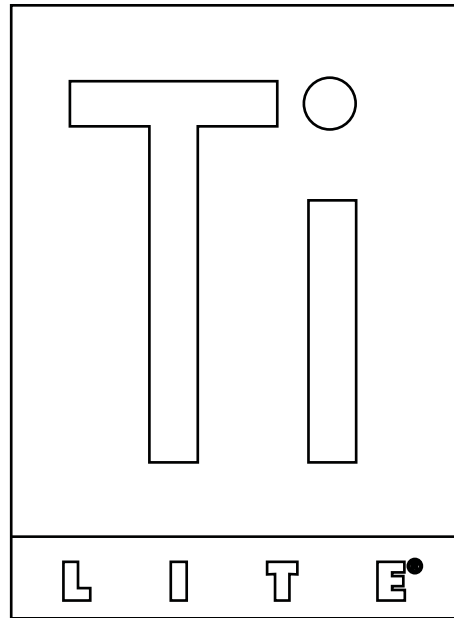
△ NOTE: Permobil's warranty does not cover Creative Mobility Division frames and frame components, unless Permobil determines that the frame or frame component was defectively manufactured.

TiLite manual wheelchairs | Creative Mobility Division

Miscellaneous options



Legacy options (items no longer on order form) CMD #88



EZ-Ti ID _____

PO# _____

Clinical rationale

Modification indicated when a legacy option meets a consumer's MWC configuration needs more appropriately than current order form option.

Available on:

TiLite TR, TiLite ZR, TiLite ZRA, TiLite Aero Z, TiLite TRA, TiLite Aero T, TiLite Aero X, TiLite 2GX

Notes:

- Not every legacy option will work on every wheelchair model or wheelchair configuration.

This CMD Option Includes:

- Past Order-form Option(s) (Note: These options are dependent on part availability).
- Shopping-cart style push handle (Quick release options available).
- Trim on Carbon-fiber Side guard flat panels.
- Tube-supported side guard panels.
- Zipper on iSleeves and Air-breathable Back-upholstery Pocket.
- ELR with Angle-adjustable Footrest Extension.
- Asymmetric-shaped Seat Pan.
- Tip-assist Bar Utilizing a User-friendly Anti-tip Receiver
- Abducted Hangers (may interfere with wheel locks. Desire 90°).
- Flat-top Ergo Rigid Wheelchair.
- Tab-mount Polished Handrims.
- Swing-away Armrests on Non-folding Rigid-chair Back.
- Powder-coated hub on Poly-caster wheels.
- Powder-coated forks and caps.
- Chromoly anti-tips.

Special Instructions



△ NOTE: Permobil's warranty does not cover Creative Mobility Division frames and frame components, unless Permobil determines that the frame or frame component was defectively manufactured.

Third-party ordered in items CMD #89

EZ-Ti ID _____

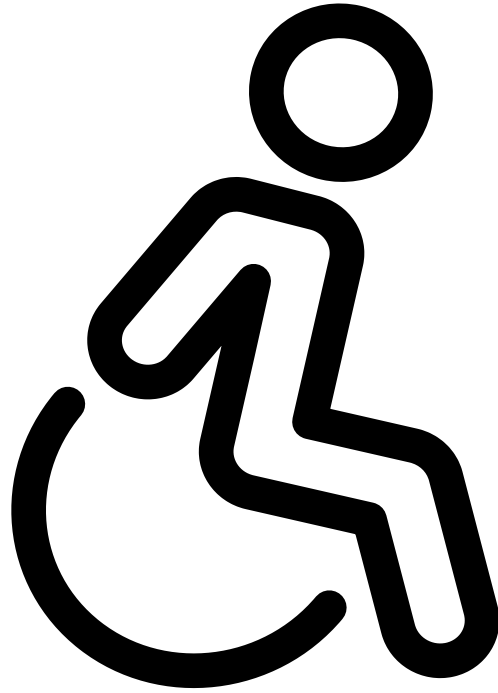
PO# _____

Clinical rationale

Required when necessary item is not included on the TiLite order form; items are shipped to TiLite for application to customer's chair.

Available on:

Case-by-case basis



Special Instructions



△ NOTE: Permobil's warranty does not cover Creative Mobility Division frames and frame components, unless Permobil determines that the frame or frame component was defectively manufactured.

Attendant wheel locks for Pilot CMD #93

EZ-Ti ID _____

PO# _____

Clinical rationale

Modification indicated for safety, to allow caregivers consistent access to wheel locks from the rear of the wheelchair in tight spaces, when front access is limited (transportation vehicles).

Available on:

TiLite Pilot

Notes:

- This adaptation requires an extra-long bar on a Unilock wheel lock mounted with a 1" offset wheel lock clamp
- This is mounted at the rear of the wheelchair frame on the lower bar (see photo)



Special Instructions

TiLite manual wheelchairs

Creative Mobility Division



permobil