

# TiLite Aero T Order Form

Effective May 2022 (New Items in Red)

DUAL-TUBE RIGID FRAME

Page 1 of 8

DEALER INFORMATION		RTS INFORMATION	
Dealer:	Account #:	RTS:	Phone:
PO:	Ordered By:	Email:	
Email:		SHIP TO INFORMATION	
Mark For:	User Weight:	Name:	Ship Via:
TiLite Sales Rep:		Address:	
TiLite Information:	Promo Code:	City:	State: Zip:
Ship Date:	Order #:	Phone:	Fax:

More options and frame modifications may be available through our Creative Mobility Division! Please contact customer service for details or [click here](#) to view options.

Please Email or Fax to the Permobil Manual Customer Service Team at [tilitesales@permobil.com](mailto:tilitesales@permobil.com) or 866.586.2413 / 509.586.2413



## FRAME STYLE

- ATFS1  **Aero T Aluminum Frame** (Full Adjustability. 265 Pound Weight Limit. For Rear Seat Width A and Seat Depth B of 15" or greater, use K0005. For Rear Seat Width A and Seat Depth B of less than 15", use E1235.).....\$3068 K0005, E1235
- TAFS1  **TRA Titanium Frame** (Full Adjustability. 265 Pound Weight Limit. For Rear Seat Width A and Seat Depth B of 15" or greater, use K0005. For Rear Seat Width A and Seat Depth B of less than 15", use E1235.).....\$1451
- TRFS1  **TR Titanium Frame Ultimate TiFIT** (Minimal Adjustability. 265 Pound Weight Limit. For Rear Seat Width A and Seat Depth B of 15" or greater, use K0005. For Rear Seat Width A and Seat Depth B of less than 15", use E1235.).....\$260

## SMARTDRIVE POWER ASSIST SYSTEM



- AETMAXSD1  **Permobil SmartDrive MX2+** (Not available with rear seat heights less than 13.5").....\$7417 E0986
- AETMAXSD16  **NEW SpeedControl Dial** AETMAXSD17  **Extended Mount** OR AETMAXSD18  **SwitchControl Buttons**...**NCO**
- AETMAXSD13  **NEW PushTracker E3** (Not required).....\$50
- AETMAXSD8  **SwitchControl Button with Mono Jack Option**.....\$156
- AETMAXSD19  **NEW Buddy Button**.....\$258
- AETMAXSD4  **Carrying Bag**.....\$82
- AETMAXSD10  **Universal Padded Handle**.....\$21

\*SmartDrive apps available on Watch OS (Apple Watch Series 5 or newer).

## FRAME STYLE

- THDR1  **Heavy Duty Frame** (Not Available with TR Titanium Frame. 350 Pound Weight Limit. No charge when 20" Rear Seat Width A and 20" Seat Depth B are selected. Includes Tension Adjustable by Straps Back Upholstery. Requires Folding Aluminum Adjustable Height Backrest, Billet Aluminum Front Wheels, Shadow or Spinergy SPOX Rear Wheels. LX Rear Wheels only available with 0 or 2 degree camber. Not available with SuperLite Edition, Slipstream Fork, Velcro Adjustable Upholstery, Open Loop Footrest, V-Front Taper or Glide™ Forks.).....\$453
- TQST1  **Q'Straint Adaptable Frame** (350 Pound Weight Limit. No charge when 20" Rear Seat Width A and 20" Seat Depth B are selected. Includes Tension Adjustable by Straps Back Upholstery. Requires Folding Aluminum Adjustable Height Backrest, Billet Aluminum Front Wheels, Shadow or Spinergy SPOX Rear Wheels. LX Rear Wheels only available with 0 or 2 degree camber. Not available with SuperLite Edition, Slipstream Fork, Velcro Adjustable Upholstery, Open Loop Footrest, V-Front Taper or Glide™ Forks.).....\$453
- TPWR1  **Power Adaptable Frame** (No charge when 20" Rear Seat Width A and 20" Seat Depth B are selected. Requires LiteSpeed Billet Aluminum Front Wheels and 0 degree camber. Not available with Single-sided Forks, or Titanium Camber Tubes. Not required for SmartDrive.).....\$354
- TRFR1  **Reinforced Frame** (No charge when 20" Rear Seat Width and 20" Seat Depth or Heavy Duty is selected.).....\$354

## FRAME FINISHES

- TFF1  **Satin** (Available with Titanium Frame only.).....**STD**
- SCBT1  **Satin Finish Buffing Pads**.....\$21
- TFF3  **Tattooed Titanium™** (Tattoos on front frame tubes. Titanium frame finished in Satin. Tattoos will be trimmed and adjusted to fit your frame.).....\$349

TFF45  **Need for Speed**TFF44  **Flower Garden**

**Mosaic**

- High Gloss Paint**  TFF8 High Gloss Black  TFF10 TiLite Red  TFF29 Neon Pink
- Metallic Paint**  TFF14 Ocean Blue Metallic  TFF15 Tangerine Metallic  TFF30 Acid Green Metallic
- Pearlescent Paint**  TFF17 Midnight Blue Pearl  TFF18 White Pearl
- Matte Paint**  TFF19 Black Lava  TFF27 Titanium Grey
- Candy Paint**  TFF22 Ruby Red  TFF23 Azure Blue  TFF25 Electric Plum
- Matte Textured Paint**  TFF40 Hyper Blue  TFF41 Flame Orange  TFF42 OD Green .....**STD**



Permobil.com  
2701 West Court Street / Pasco, Washington 99301  
Tel 800 736 0925 or Email [tilitesales@permobil.com](mailto:tilitesales@permobil.com)

# TiLite Aero T Order Form

## COLOR ANODIZE PACKAGE

(Color Anodize Package includes: Caster Mount, Caster Fork, and Caster Caps. If no anodize color is selected, the default will be black.)

- TANO1 Black.....**STD**
- TAN12 Gold  TAN15 Green  TAN13 Purple  TAN14 Orange  TAN10 Blue  TAN11 Red.....**\$68**

## TiFit: TAILORED INDIVIDUALIZED FRAME

Measurements shown below are our most popular selections. **Not seeing what you want? Contact customer service or visit our Creative Mobility Division (CMD) catalog [here](#) to view additional options.**

**REAR SEAT WIDTH A** Measure from outside of seat tube at back post to the outside of the opposite seat tube at back post.

- TSW1  12"  13"  14"  15"  16"  17"  18"  19" **STD**
- ZSW2  20" (HCPCS code only applies to 20" Rear Seat Width ; > 20" size avail. through CMD).....**\$515 E2201**

**FRONT SEAT WIDTH (SEAT TAPER) T** Measure from inside of front frame tube to inside of opposite front frame tube. (Required with V-Front End v. Not Available with Standard Front End I.)

- TFSW1  No Taper.....**STD**
- TFSW2  1" Taper (3" Narrower than Rear Seat Width A. Includes Tension Adjustable by Straps Seat Upholstery.).....**\$292**
- TFSW4  2" Taper (4" Narrower than Rear Seat Width A. Includes Tension Adjustable by Straps Seat Upholstery.).....**\$292**

**SEAT DEPTH B** Measure from front of back post to the front edge of seat sling. Frame bend will start .5" in front of seat sling unless Custom Frame Depth is specified, or the combination of specifications affect the rolling dynamics of the chair.

- TSD1  12"  13"  14"  15"  16"  17"  18"  19" .....**STD**
- TSD2  20" .....**\$546 E2203**
- TSD3  Custom Frame Depth: \_\_\_\_\_" Frame Depth Longer or Shorter Than Seat Depth (Measure from front of seat sling to beginning of frame bend. Ranges from 0.5" to 2" and can be given as specific as 1/4" increments. A Custom Frame Depth outside specified range may be available through our Creative Mobility Division. A Custom Frame Depth of 20" will have an additional charge) .....**NCO**

**ERGONOMIC SEAT U** Measure from front of back post to beginning of upward bend of seat tube.

- TERG1  TR Ergonomic Seat (Not available with Tension Adjustable Bolt On Seat Upholstery)  
5"  6"  7"  8"  9".....**\$354**
- TERG2  Aero T and TRA Ergonomic Seat (Not available with V-Front or Seat Taper, Seat Back that Locks When Folded, Desk Arms, Depth Adjustable Backrests, Fold Down Rigid Sideguards, Fendered Adjustable Sideguards, Solid Seat, Tension Adjustable Bolt-On Seat Upholstery, or the Curve cushion.)  
 6" (Minimum Seat Depth B 12")  7" (Minimum Seat Depth B 12")  
 8" (Minimum Seat Depth B 13") .....**\$416**

**FRONT SEAT HEIGHT C** Measure from floor to top of seat tube at front edge of seat sling.

- TFSH1  15"  15.5"  16"  16.5"  17"  17.5"  18"  18.5"  19"  19.5"  
 20"  20.5"  21" .....**STD**

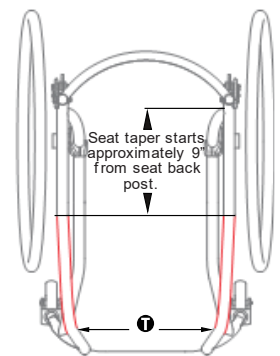
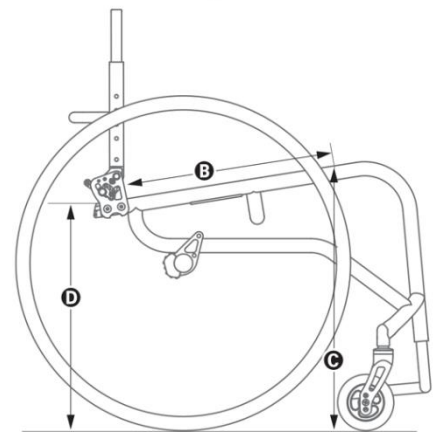
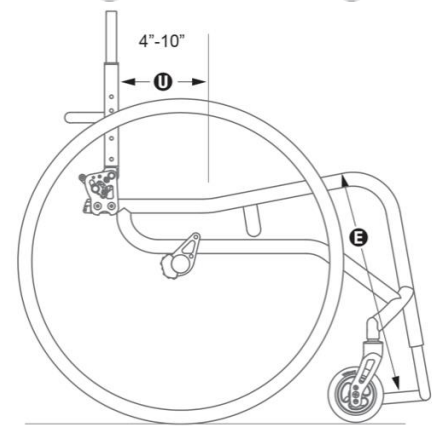
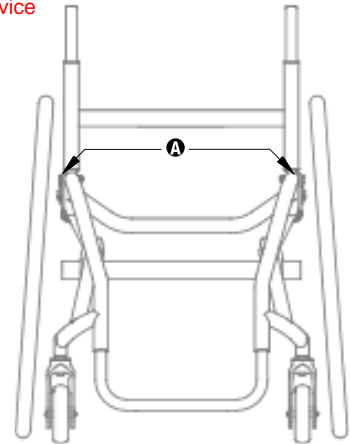
**REAR SEAT HEIGHT D** Measure from floor to top of seat tube at back post.

Rear Wheel Size	Rear Seat Height
20"	12.5"-20"
22"	13.5"-20"
24"	14.5"-20" (15" on TRA)
25"	15.0"-20"
26"	15.5"-20"

- TRSH1  12.5"  13"  13.5"  14"  14.5"  15"  15.5"  16"  16.5"  
 17"  17.5"  18"  18.5"  19"  19.5"  20" .....**STD**

**FRONT ANGLE or OVERALL FRAME LENGTH** Select one. If Overall Frame Length is selected, front angle will be bent to achieve requested length.

- TFA1  70°  75°  80°  85° **L** Measure from frame front to floor. (Not available with 6" Front Wheels.)  90° (Not available with 5" or 6" Front Wheels.).....**STD**
- TFA2  Overall Frame Length **M** \_\_\_\_\_" Measure from front of backrest to Front Edge of Footrest. ....**NCO**



# TiLite Aero T Order Form

## TiFit: TAILORED INDIVIDUALIZED FRAME

Measurements shown below are our most popular selections. **Not seeing what you want?** Contact customer service or visit our Creative Mobility Division (CMD) catalog [here](#) to view additional options.

**SEAT TO FOOTREST E** Measure from front edge of seat sling to top rear of footrest.

**Standard Footrests** Measurement must be at least 2" shorter than Front Seat Height C.

- 13.5"  14"  14.5"  15"  15.5"  16"  16.5"  17"  17.5"  18"  18.5"  19"

TFTR3  Angle Adjustable Footrest..... **STD**

TFTR1  Titanium Footrest w/Flat ABS Cover..... **\$208**

TFTR2  Titanium Open Loop Footrest..... **\$266**

ZFTR12  Flip-Back Footrest (Not available with 10" or 11" Rear Seat Width A, Heavy Duty Frame, or ABS Cover with 2" Sides)..... **\$234 K0040, K0045**

**High Mount Footrest**

- 7"-9"  9"-11"  11"-13" Set at \_\_\_\_\_ (Use 1/2" increments)

TFTR4  Angle Adjustable High Mount Footrest..... **\$104 K0040**

**FOOTREST WIDTH I** or **V** Select either a Standard Front End **I** if no Seat Taper **T** is selected or a V-Front End **V** if a Seat Taper **T** is selected.

**STANDARD FRONT END I** Find your Rear Seat Width **A** in the Chart below and select one of the options to the right. Measure from inside of front frame tube to inside of opposite front frame tube.

TFE1  **NO V-Front Taper**..... **STD**

REAR SEAT WIDTH A (Outside Measurement)	FOOTREST WIDTH I		
	No Taper (2" Narrower than Rear Seat Width)	2" Taper (4" Narrower than Rear Seat Width)	4" Taper (6" Narrower than Rear Seat Width)
12"	<input type="checkbox"/> 10"	<input type="checkbox"/> 8"	
13"	<input type="checkbox"/> 11"	<input type="checkbox"/> 9"	
14"	<input type="checkbox"/> 12"	<input type="checkbox"/> 10"	<input type="checkbox"/> 8"
15"	<input type="checkbox"/> 13"	<input type="checkbox"/> 11"	<input type="checkbox"/> 9"
16"	<input type="checkbox"/> 14"	<input type="checkbox"/> 12"	<input type="checkbox"/> 10"
17"	<input type="checkbox"/> 15"	<input type="checkbox"/> 13"	<input type="checkbox"/> 11"
18"	<input type="checkbox"/> 16"	<input type="checkbox"/> 14"	<input type="checkbox"/> 12"
19"	<input type="checkbox"/> 17"	<input type="checkbox"/> 15"	<input type="checkbox"/> 13"
20"	<input type="checkbox"/> 18"	<input type="checkbox"/> 16"	<input type="checkbox"/> 14"

OR

**V-FRONT END V** Measure from inside of front frame tube to inside of opposite front frame tube 2-1/2" above footrest. (Titanium Footrests have 1" of adjustment up and down. Not available with Ergonomic Seat frames.)

TFE2  V-Front Taper..... **\$302**

- 9"  10"  11"  12"  13"  14"  15"

## BACK SUPPORTS

### ROHO® AGILITY® ACTIVE ALUMINUM Contour Back Support

Shell Height  8"  10"

SBRS14  AGILITY Active Aluminum Min Contour with Foam..... **\$641 E2620**

SBRS15  AGILITY Active Aluminum Mid Contour with Foam..... **\$641 E2620**

### ROHO® AGILITY® ACTIVE CARBON Contour Back Support ( 2x2 Twill Weave Carbon Fiber)

Shell Height  10"  13"  16"

AGILITY Carbon Min Contour Back with Foam w/ Air Insert

SBRS7 Foam w/ Air Insert..... **\$695 E2620**

ACB1 AGILITY Active Carbon Upgrade (Not available with Bolt-on Push Handles)..... **\$350**

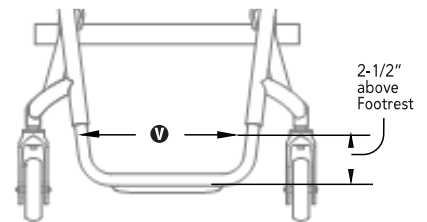
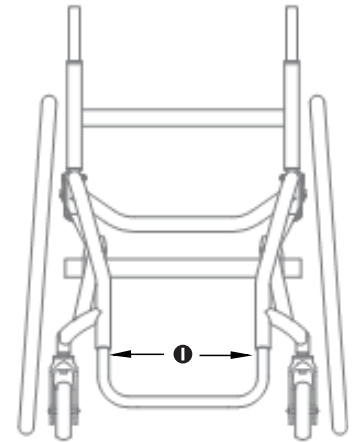
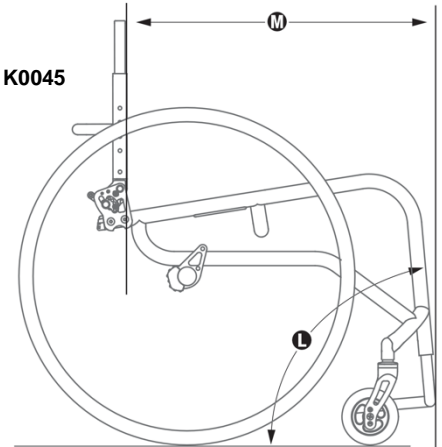
Fixed Hardware (Not available with 18" Shell Height or Folding Chairs.)..... **NCO**

AGILITY Carbon Mid Contour Back with Foam w/ Air Insert

SBRS9 Foam w/ Air Insert..... **\$707 E2620**

ACB2 AGILITY Active Carbon Upgrade (Not available with Bolt-on Push Handles)..... **\$338**

Fixed Hardware (Not available with 18" Shell Height or Folding Chairs.)..... **NCO**



# TiLite Aero T Order Form

## COMFORT ACTA-EMBRACE® Back Support

Shell Height  10"  12"  14"  16"

- SBR516  Acta-Embrace Back with 2-PT Quick Release Compass Hardware.....\$573 E2613  
 CPSB1  Comfort Privacy Shield.....\$39

## COMFORT ACTA-RELIEF Back Support

Shell Height  10"  12"  14"  16"

- SBR13  Acta-Relief Back with 2-PT Quick Release Compass Hardware.....\$783 E2615  
 CPSB1  Comfort Privacy Shield.....\$39

## BACK UPHOLSTERY (Want more seating options? [Click here](#) to view the new TiLite Seating Order Form.)

TBUP2  Velcro Adjustable (Not available with Fold-Down Push Handles.) **STD**

**Tension Adjustable by Straps** (Required with Fold-Down Push Handles.)

- TBUP3  Padded Nylon.....\$354 E2611  
 TBUP5  AIR Breathable Upholstery (Not available with Ultrasuede Backrest Stripe.).....\$354 E2611  
 TUPC3  Ultrasuede Backrest Stripe  Black.....\$110  
 TBUP0  Omit Back Upholstery.....NCO

## TiFit: TAILORED INDIVIDUALIZED FRAME

Options shown below are our most popular selections. **Not seeing what you want?**  
 Contact customer service or visit our Creative Mobility Division (CMD) catalog [here](#) to view additional options.

### SEAT BACK TYPE/PUSH HANDLES/SEAT BACK HEIGHT F Measure from top of back post to top of seat tube at rear of frame.

- TSB1  Folding Aluminum Adjustable Height Back (Required for Heavy Duty Frame.).....**STD**  
 TSB2  Folding Titanium Adjustable Height Back and Rounded Rigidizer Bar (Titanium back will match Frame Finish).....\$266  
 TSB15  Non-Folding, Fixed Height Titanium with Rounded Rigidizer Bar (Not Available with Aero T or TRA. Titanium back will match Frame Finish. Not available with Push Handles.).....\$302

### TISHAFT™ BACK RELEASE BARS (Not available with Non-Folding, Fixed Height Titanium Back.)

- TSB3  Aluminum **STD**  
 TSB5  2x2 Twill Weave Carbon Fiber.....\$78

### PUSH HANDLES

- TSB6  Integrated Push Handles.....NCO  
 TSB7  Integrated Fold-Down Push Handles (Requires Tension Adjustable by Straps Back Upholstery.).....\$120  
 TSB8  Bolt-On Push Handles (Includes 4" Deep Backrest Rigidizer).....\$208  
 TSB9  Bolt-On Height-Adjustable Push Handles (Includes 4" Deep Backrest Rigidizer Bar.).....\$349

### FOLDING SEAT BACK HEIGHT F (TSB1 and TSB2)

Push Handles (Selected Above)	Short	Medium	Tall	Set at: (Use ½" increments)
None/ Bolt-On	<input type="checkbox"/> 8.5"-11.5"	<input type="checkbox"/> 12"-16.5"	<input type="checkbox"/> 16"-20.5"	Set at: _____
Integrated	<input type="checkbox"/> 10.5"-12.5"	<input type="checkbox"/> 13.5"-16.5"	<input type="checkbox"/> 17.5"-20.5"	Set at: _____
Integrated Fold-Down	<input type="checkbox"/> 13"-15.5"	<input type="checkbox"/> 14"-18.5"	<input type="checkbox"/> 18.5"-21"	Set at: _____

### NON-FOLDING, FIXED-HEIGHT F TITANIUM SEAT BACK with Rounded Rigidizer Bar (TSB15) (Not Available with Aero T or TRA. Titanium back will match Frame Finish. Required for fixed Side Guards. Not available with Swing Away Tubular or Swing Away - Flip Back Tubular Armrests and Integrated Push Handles, Integrated Fold-Down Push Handles )

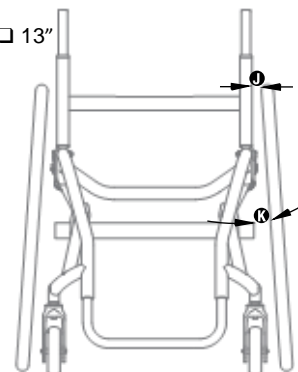
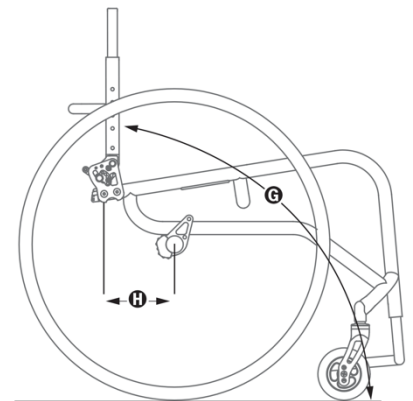
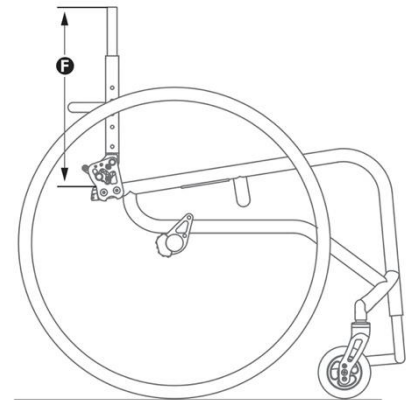
- 5"  5.5"  6"  6.5"  7"  7.5"  8"  8.5"  9"  9.5"  10"  10.5"  11"  11.5"  12"  12.5"  13"  
 13.5"  14"  14.5"  15"  15.5"  16"  16.5"  17"  17.5"  18"  18.5"  19"  19.5"  20"

### AVAILABLE ON ALL BACKS

- TSB11  Backrest that Locks when Folded (Not available with Ergonomic Seat.).....**STD**  
 TSB12  4" Deep Backrest Rigidizer Bar (Not available with a Non-Folding, Fixed Height Titanium Seat Back Type. 4" Deep Rigidizer Bar is NOT a rounded style rigidizer bar.).....NCO

### SEAT BACK ANGLE G Measure angle from front of back post to floor.

- ZSBA1 **Folding Back**  
 80°  83°  86°  89°  92°  95°  98°  101°.....**STD**



# TiLite Aero T Order Form

- ZSBA1 **Non-Folding Back**  
 80°  81°  82°  83°  84°  85°  86°  87°  88°  89°  90°  
 91°  92°  93°  94°  95°  96°  97°  98°  99°  100°  101° **NCO**

**CENTER OF GRAVITY H** Measure from front of back post at the seat tube to the center of the rear axle. If no center of gravity is selected, chair will ship with the center of gravity in the rearward-most position.

- TCOG1  1"  1.25"  1.5"  1.75"  2"  2.25"  2.5"  2.75"  3"  3.25"  
 3.5"  3.75"  4"  4.25"  4.5"  4.75"  5" ..... **STD**

**REAR WHEEL SPACING /PLUGS** Measure from outside of seat back post to inside of rear tire. ZRA 0.75" Rear Wheel Spacing not available with 0° or 2° Camber K. Ergonomic Seat selection may limit available center of gravity.

- ZRWS1  .75"  1"  1.25" ..... **STD**  
 ZCBR12  Adjustable Rear Wheel Spacing Camber Plugs ..... **STD**  
 ZCBR9  Additional Spacers to Increase Rear Wheel Spacing ..... **NCO**  
 ZCBR11  Zero Play Aluminum Camber Plugs (Not available with Power Adaptable Frame or more than 6° of Camber K.) ..... **NCO**

**SEAT UPHOLSTERY**

- ZSUP1  Tension Adjustable Bolt On (Not available with Ergonomic Seat or Tapered Seat T. Black only.) ..... **STD**  
 ZSUP2  Tension Adjustable by Straps (Standard with Ergonomic Seat and Front Seat Width (Seat Taper) T of 1", 2" or 3". Black upholstery only.) ..... **\$193**  
 ZSUP8  Aluminum Solid Seat (Not available with 10" or 11" Rear Seat Width A ..... **\$297** **E2231**  
 ZSUP0  Omit Seat ..... **NCO**

**SEAT CUSHION** (Want more seating options? [Click here](#) to view the new TiLite Seating Order Form.)

- ZCSH2  Comfort Curve Cushion (Stretch-Air cover) ..... **\$105** **E2601**  
 ZCSH23  Comfort Acta-Embrace™ Comfort-Tek Zero Elevation Cushion ..... **\$382** **E2607**  
 ZCSH11  ROHO® Single Compartment (Fits seat widths 14" to 19") Profile:  Low  Mid  High ..... **\$506** **E2622**  
 XCSH14  ROHO® QUADTRO SELECT® Cushion (Fits seat widths 14" to 19") Profile:  Low  Mid  High ..... **\$506** **E2624**  
 ZCSH16  ROHO® Hybrid Select (Fits seat widths 14" to 18", and 20") ..... **\$541** **E2624**  
 ZCSH17  Vicair Vector 02 with Comfair Cover (Fits seat widths A 14" to 19". Non-stock upcharges may apply.) ..... **\$516** **E2624**

**CAMBER K/CAMBER TUBES**

- TCBR1  0°  2°  4°  6° (8° of Camber K may be available through our Creative Mobility Division.) ..... **STD**  
 TCBR15  Aluminum Camber Tube ..... **STD**  
 TCBR3  Titanium Camber Tube (Not available with Power Adaptable Frame.) ..... **\$208**

**CUSTOM CONFIGURATION OPTIONS**

**FRONT WHEELS**

- TFW24  3"x1.5" LiteSpeed Billet Aluminum Wheel w/Soft Roll Tire  Silver Hub **OR**  Black Hub ..... **\$198**  
 TFW14  4"x.75" Plastic Wheel w/Poly Tire (Not available with Slipstream Fork or Power Adaptable Frame.) ..... **NCO**  
 TFW3  4"x.75" Light-Up Micro-Caster (Not available with Slipstream Fork or Power Adaptable Frame.) ..... **\$84**  
 TFW26  4"x1.5" LiteSpeed Plastic Wheel w/Soft Roll Tire (Not available with Power Assist, Power Add-on System or Heavy Duty Frame.) ..... **\$99**  
 TFW27  4"x1.5" LiteSpeed Billet Aluminum Wheel w/Soft Roll Tire  Silver Hub **OR**  Black Hub ..... **\$208**  
 TFW6  5"x1" Plastic Wheel w/Poly Tire (Not available with 90° Front Angle L, Slipstream Fork or Power Adaptable Frame.) ..... **NCO**  
 TFW28  5"x1.5" LiteSpeed Plastic Wheel w/Soft Roll Tire (Not available with 90° Front Angle L or Power Adaptable Frame.) ..... **\$99**  
 TFW30  5"x1.5" LiteSpeed Billet Aluminum Wheel w/Soft Roll Tire  Silver Hub **OR**  Black Hub (Not available with 90° Front Angle L.) ..... **\$224**  
 TFW9  6"x1" Plastic Wheel w/Poly Tire (Not available with 85° or 90° Front Angle L, Slipstream Fork or Power Adaptable Frame.) ..... **NCO**  
 TFW32  6"x1.5" LiteSpeed Plastic Wheel w/Soft Roll Tire (Not available with 85° or 90° Front Angle L, Slipstream Fork or Power Adaptable Frame.) ..... **\$104**  
 TFW33  6"x1.5" LiteSpeed Billet Aluminum Wheel w/Soft Roll Tire  Silver Hub **OR**  Black Hub (Not available with 85° or 90° Front Angle L or Slipstream Fork.) ..... **\$234**

**PRECISION LOCK FRONT FORKS**

- TFK1  TiLite Standard Fork ..... **STD**  
 TFK2  TiLite Slipstream Single-Sided Fork (Not available with Power Adaptable Frame.) ..... **\$177**  
 TGL1  Out-Front Glide™ Suspension Fork (Black anodize only.) ..... **\$505** **E1015**  
 Rider's Weight:  125 lbs.  125-180 lbs.  180-265 lbs.  
 TTFS1  Titanium Fork Stem ..... **\$63**

**STANDARD REAR WHEELS** (See Rear Seat Height Ranges Chart for Rear Seat Height D limitations.)

- TRW14 TiLite SHADOW™ ..... **STD**  
 20"(451)  
 22"(501)



# TiLite Aero T Order Form

- 24"(540)
- 25"(559) (Requires 15" minimum Seat Depth B.)
- 26"(590) (Requires 15" minimum Seat Depth B.)

**PERFORMANCE REAR WHEELS** (See Rear Seat Height Ranges Chart for Rear Seat Height D limitations.)

TRW7	Spinergy SPOX <input type="checkbox"/> Black <input type="checkbox"/> Red <input type="checkbox"/> Blue <input type="checkbox"/> White <input type="checkbox"/> Orange <input type="checkbox"/> Pink <input type="checkbox"/> Purple <input type="checkbox"/> Green (Orange, Pink, Purple And Green only available in 20" size.).....	<b>\$879</b>
	<input type="checkbox"/> 20"(451) - Std. Hub	
	<input type="checkbox"/> 22"(501) - Std. Hub	
	<input type="checkbox"/> 24"(540) - Std. Hub	
	<input type="checkbox"/> 25"(559) - Std. Hub (Requires 15" minimum Seat Depth B.)	
	<input type="checkbox"/> 26"(590) - Std. Hub (Requires 15" minimum Seat Depth B.)	
TRW8	Spinergy LX <input type="checkbox"/> Black <input type="checkbox"/> Red <input type="checkbox"/> Blue <input type="checkbox"/> White <input type="checkbox"/> Bright Orange <input type="checkbox"/> Flamingo Pink <input type="checkbox"/> Purple <input type="checkbox"/> Green.....	<b>\$1103</b>
	<input type="checkbox"/> 22"(501) - Std. Hub	
	<input type="checkbox"/> 24"(540) - Std. Hub	
	<input type="checkbox"/> 25"(559) - Std. Hub (Requires 15" minimum Seat Depth B.)	
	<input type="checkbox"/> 26"(590) - Std. Hub (Requires 15" minimum Seat Depth B.)	
TRW9	New Spinergy Design Lab LX Wheels (If same color is selected, anodized hubs and rims match color anodized package on page 1. Available with black spokes only.)	
	<input type="checkbox"/> Gold Anodize <input type="checkbox"/> Green Anodize <input type="checkbox"/> Blue Anodize <input type="checkbox"/> Red Anodize <input type="checkbox"/> Purple Anodize <input type="checkbox"/> Orange Anodize.....	<b>\$1311</b>
	<input type="checkbox"/> 22"(501) - Std. Hub	
	<input type="checkbox"/> 24"(540) - Std. Hub	
	<input type="checkbox"/> 25"(559) - Std. Hub (Requires 15" minimum Seat Depth B.)	
	<input type="checkbox"/> 26"(590) - Std. Hub (Requires 15" minimum Seat Depth B.)	
TRW16	New Spinergy® Carbon Blade with 2x2 Twill Weave (Not available with Heavy Duty Frame.).....	<b>\$1540</b>
	<input type="checkbox"/> 24"(540)	
	<input type="checkbox"/> 25"(559) (Requires 15" minimum Seat Depth B.)	
TRW17	X-Core Mag (Not available with Heavy Duty Frame, Short Tabs, Quad Release Axles, Spoke Guards or Omit Handrims Option. Requires Aluminum Silver Anodized Handrims.).....	<b>\$63</b>
	<input type="checkbox"/> 20"(451)	
	<input type="checkbox"/> 22"(501)	
	<input type="checkbox"/> 24"(540)	

**AXLES**

TAXL1	<input type="checkbox"/> Stainless Quick Release.....	<b>STD</b>
TAXL2	<input type="checkbox"/> Titanium Quick Release.....	<b>\$266</b>
TAXL3	<input type="checkbox"/> Quad Release (Not available with Mag or 26"(590) Spinergy Spox or LX Rear Wheels.).....	<b>\$162</b>

**PNEUMATIC REAR TIRES**

TRTR1	<input type="checkbox"/> Treaded 22"(501), 24"(540), and 26"(590).....	<b>STD</b>
TRTR2	<input type="checkbox"/> Airless Inserts (Not available with Spinergy Carbon Blade Rear Wheels.).....	<b>\$94</b>
TRTR31	<input type="checkbox"/> MBL SpeedLite 20"(451), 22"(501), 24"(540), 25"(559) and 26"(590).....	<b>STD</b>
TRTR30	<input type="checkbox"/> 24"(540), 25"(559) and 26"(590) Primo Sentinel.....	<b>\$130</b>
TRTR8	<input type="checkbox"/> 24"(540), 25"(559) and 26"(590) Schwalbe® Marathon Plus Evolution.....	<b>\$146</b>
TRTR32	<input type="checkbox"/> 24"(540) Primo C-763 Knobby.....	<b>\$100</b>

E2213

**SOLID REAR TIRES** (Not available with Spinergy Carbon Blade Rear Wheels.)

TRTR22	<input type="checkbox"/> 20"(451), 22"(501), 24"(540) and 25"(559) Primo Express.....	<b>\$115</b>
TRTR23	<input type="checkbox"/> 24"(540) and 25"(559) Primo Active.....	<b>\$141</b>

**HANDRIMS**

**Handrims by OUT-FRONT®**

TRIM1	<input type="checkbox"/> Aluminum – Silver Anodized.....	<b>STD</b>
TRIM21	<input type="checkbox"/> Aluminum – Black Anodized.....	<b>NCO</b>
TRIM12	<input type="checkbox"/> Titanium – Satin Finish (Not available with 20"(451) or 22"(501) Rear Wheels, or 24"(540) Knobby tires.).....	<b>\$489</b>
TRIM10	<input type="checkbox"/> The Surge (All-In-One Oval with Gription™ Strip, Larger Profile) (Not available with 20"(451) Rear Wheels.).....	<b>\$416</b>
TRIM11	<input type="checkbox"/> The Surge LT (All-In-One Oval with Gription™ Strip, Smaller Profile) (Not available with 20"(451) Rear Wheels.).....	<b>\$448</b>
TRIM20	<input type="checkbox"/> Q-Grip (Exclusive High-Friction, Anti-Slip Coating) (Not available with 20"(451) Rear Wheels.).....	<b>\$344</b>
<b>The Natural-Fit® (Original, Larger Profile)</b> (Not available with 20"(451) Rear Wheels.)		
TRIM14	<input type="checkbox"/> Standard Grip (Not available with Short Tabs or Spinergy Carbon Blade Rear Wheels.).....	<b>\$411</b>
TRIM15	<input type="checkbox"/> Super Grip (Not available with Short Tabs or Spinergy Carbon Blade Rear Wheels.).....	<b>\$448</b>
TRIM16	<input type="checkbox"/> Without Thumb Grip.....	<b>\$375</b>
<b>The Natural-Fit® LT (Reduced Weight, Smaller Profile)</b> (Not available with 20"(451) Rear Wheels.)		
TRIM17	<input type="checkbox"/> Standard Grip (Not available with Short Tabs or Spinergy Carbon Blade Rear Wheels.).....	<b>\$432</b>
TRIM18	<input type="checkbox"/> Super Grip (Not available with Short Tabs or Spinergy Carbon Blade Rear Wheels.).....	<b>\$494</b>
TRIM19	<input type="checkbox"/> Without Thumb Grip.....	<b>\$406</b>

# TiLite Aero T Order Form

## Additional Handrim Options

TRIM5	<input type="checkbox"/> Plastic Coated – Black.....	\$167	
TRIM22	<input type="checkbox"/> Omit Handrims.....	NCO	

## Tab Length

TRIM7	<input type="checkbox"/> Long Tabs.....	STD	
TRIM8	<input type="checkbox"/> Short Tabs (Not available with Mag Rear Wheels or The Natural-Fit® Handrims with Thumb Grip.).....	\$26	

## WHEEL LOCKS

### Wheel Locks by OUT-FRONT®

TWLK7	<input type="checkbox"/> Compact Composite Push to Lock (Available with .75" to 1.5" Rear Wheel Spacing ) only.).....	NCO	
TWLK8	<input type="checkbox"/> Compact Composite Pull to Lock (Available with .75" to 1.5" Rear Wheel Spacing ) only.).....	NCO	
TWLK10	<input type="checkbox"/> Extension Handles for Compact Composite Push/Pull to Lock.....	\$89	E0961

### Additional Wheel Locks

TWLK11	<input type="checkbox"/> MBL Composite Scissor Lock.....	\$151	
TWLK3	Uni-Lock Set At: <input type="checkbox"/> Push <b>OR</b> <input type="checkbox"/> Pull.....	\$172	
TWLK4	<input type="checkbox"/> Extension Handles for Uni-Lock.....	\$89	E0961
TWLK15	<input type="checkbox"/> Grade Aids Push to Lock (Not available with solid rear tires).....	\$182	E0974

## SIDE GUARDS

### Aluminum

TSDG2	<input type="checkbox"/> Rigid Removable <input type="checkbox"/> Small <b>OR</b> <input type="checkbox"/> Std.....	\$208	
TSDG3	<input type="checkbox"/> Quad Removable w/Hole <input type="checkbox"/> Small <b>OR</b> <input type="checkbox"/> Std.....	\$224	
TSDG4	<input type="checkbox"/> Fold Down Rigid <input type="checkbox"/> Small <b>OR</b> <input type="checkbox"/> Std (Not available with Ergonomic Seat.).....	\$349	
TSDG6	<input type="checkbox"/> Fendered Adjustable (Available with 24" and 25" Rear Wheels. Requires Rear Seat Height D of 14.5" to 18.5".).....	\$349	

### 2x2 Twill Weave Carbon Fiber

TSDG7	<input type="checkbox"/> Rigid Removable <input type="checkbox"/> Small <b>OR</b> <input type="checkbox"/> Std.....	\$323	
TSDG8	<input type="checkbox"/> Quad Removable w/Hole <input type="checkbox"/> Small <b>OR</b> <input type="checkbox"/> Std.....	\$333	
TSDG9	<input type="checkbox"/> Fold Down Rigid <input type="checkbox"/> Small <b>OR</b> <input type="checkbox"/> Std (Not available with Ergonomic Seat or Carbon Edition.).....	\$479	
TSDG11	<input type="checkbox"/> Fendered Adjustable (Available with 24" and 25" Rear Wheels. Requires Rear Seat Height D of 14.5" to 18.5".).....	\$588	
TSDG12	<input type="checkbox"/> Fendered Removable.....	\$474	

## CUSTOM CONFIGURATION OPTIONS

### Available on Aluminum and Carbon Fiber Non-Fendered Side Guards

TSDG13	<input type="checkbox"/> Side Guards Custom Cut to Profile of Rear Wheels.....	\$328	
--------	--	-------	--

### ARMRESTS (Desk Arms come with built-in Side Guards.)

TARM1	Swing Away Tubular <input type="checkbox"/> 6.5" to 9.5" <b>OR</b> <input type="checkbox"/> 9.5" to 12.5" (Not Available with Non-Folding, Fixed Height Titanium Seat Back or Height Adjustable Push Handles.).....	\$234	E0973
TARM4	<input type="checkbox"/> Swing Away - Flip Back Tubular 8.5" to 11.5" (Not Available with Non-Folding, Fixed Height Titanium Seat Back.).....	\$328	E0973
TARM2	Removable Height Adjustable Desk Arm with Rigid Side Guard (Requires 14" minimum Seat Depth B. Not available with Ergonomic Seat.).....	\$349	E0973
	<input type="checkbox"/> 9" to 12" <b>OR</b> <input type="checkbox"/> 12" to 15"		
TARM3	<input type="checkbox"/> Standard Length Pad (10") <b>OR</b> <input type="checkbox"/> Full Length Pad (14") Removable Height Adjustable Desk Arm with Rigid Side Guard and Transfer Loop (Requires 15" minimum Seat Depth B. Not Available with Ergonomic Seat.).....	\$390	E0973
	<input type="checkbox"/> 9" to 12" <b>OR</b> <input type="checkbox"/> 12" to 15"		
	<input type="checkbox"/> Standard Length Pad (10") <b>OR</b> <input type="checkbox"/> Full Length Pad (14")		
TARM5	<input type="checkbox"/> Covered in Black Ultrasuede (Not available with Desk Arms).....	\$115	

## SEAT BELTS

TBLT1	<input type="checkbox"/> Velcro Adjustable, Black Nylon Webbing.....	\$58	E0978
TBLT2	<input type="checkbox"/> Bodypoint® 2" Push-Button Buckle (Auto-Style.).....	\$99	E0978
TBLT4	<input type="checkbox"/> Bodypoint® 1" Wide Push-Button Buckle Padded (Auto-Style.) (Not available with 19" or 20" Rear Seat Widths A.).....	\$188	E0978
TBLT5	<input type="checkbox"/> Bodypoint® 1.5" Wide Push-Button Buckle Padded (Auto-Style.) (Not available with 19" or 20" Rear Seat Widths A.).....	\$177	E0978
TBLT10	<input type="checkbox"/> Bodypoint® Optional Band Clamp Mounting Hardware.....	\$21	K0108
TBLT16	<input type="checkbox"/> Bodypoint® EvoFlex® Pelvic Stabilizer Push Button.....	\$193	E0978

## CALF STRAP

TCLF2	Velcro Adjustable.....	\$42	K0038
	<input type="checkbox"/> Small (Recommended for 9" - 12" Footrest Widths.)		
	<input type="checkbox"/> Medium (Recommended for 11" - 15" Footrest Widths.)		
	<input type="checkbox"/> Large (Recommended for 14" - 17" Footrest Widths.)		
	<input type="checkbox"/> Xtra Large (Recommended for 16" - 19" Footrest Widths.)		
TCLF3	Bodypoint® Padded Velcro Adjustable.....	\$104	K0038
	<input type="checkbox"/> Medium (Recommended for 11" - 15" Footrest Widths.)		
	<input type="checkbox"/> Large (Recommended for 16" - 19" Footrest Widths.)		
TCLF1	<input type="checkbox"/> Buckle Adjustable, Black Nylon Webbing.....	\$32	K0038

# TiLite Aero T Order Form

Effective May 2022 (New Items in Red)

DUAL-TUBE RIGID FRAME

Page 8 of 8

## RESIDUAL LIMB SUPPORT

TRSL1	<input type="checkbox"/> Residual Limb Support <input type="checkbox"/> Left <b>OR</b> <input type="checkbox"/> Right (8" width x 10" length).....	\$411	E1020
TRSL2	<input type="checkbox"/> Residual Limb Support Pair (8" width x 10" length).....	\$822	E1020

## BACKPACK

TBCK3	<input type="checkbox"/> Permobil Medical Necessities Backpack.....	\$99	
-------	---	------	--

## SEAT POUCH

TPCH3	<input type="checkbox"/> Permobil Medical Necessities Seat Pouch.....	\$63	
TPCH4	<input type="checkbox"/> Bodypoint® Mobility Bag.....	\$104	

## SPOKE GUARDS

TGRD1	<input type="checkbox"/> Clear Lexan with TiMotion Logo (Not available with Mag Rear Wheels.).....	\$141	K0065
-------	--	-------	-------

## ANTI-TIPS

TTIP1	<input type="checkbox"/> Rear Aluminum - Black.....	\$167	E0971
TTIP2	<input type="checkbox"/> User Friendly Flip-up.....	\$349	E0971

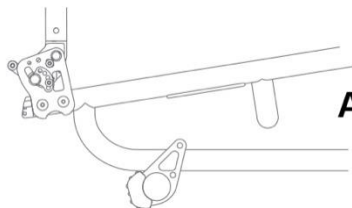
## ACCESSORIES

TUEST1	Upper Extremity Support Tray <input type="checkbox"/> 12" to 14" <b>OR</b> <input type="checkbox"/> 13" to 15" Seat Widths A (Requires Armrests.).....	\$302	E0950
TLUG1	<input type="checkbox"/> Luggage Carriers.....	\$151	
TMPCT2	Neoprene Impact Guards with Ultrasuede Stripe <input type="checkbox"/> Black.....	\$110	
TCH1	<input type="checkbox"/> Crutch Holder.....	\$234	E2207
TAFP1	4" Logo Patch <input type="checkbox"/> Army <input type="checkbox"/> Navy <input type="checkbox"/> Air Force <input type="checkbox"/> Marines.....	\$110	

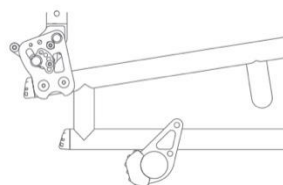
## FRAME NOTES

The rear frame for a TR will be square when the Center of Gravity H measurement is less than 3.5". Aero T and TRA will always be a Rounded Rear Frame.

## GENERAL



**A. Round rear frame**



**B. Square rear frame**

More options and frame modifications may be available through our Creative Mobility Division! Please contact customer service for details or [click here](#) to view options.

Permobil manufactures TiLite manual wheelchairs in a wide variety of configurations to meet the varied needs of wheelchair users. The final selection of a particular model, its options and accessories, and its measurements rests solely with the wheelchair user and advising healthcare professional. These wheelchairs must be fitted by a qualified healthcare professional. HCPCS Codes are for reference purposes only. Actual coding and coverage varies by payer. Proper HCPCS coding is not a guarantee of payment. Please verify the appropriate payer's coverage policy.

**Get the latest order forms at permobilus.com.** Prices, standard features, options and accessories are subject to change without notice. All rights reserved. Trademarks are identified by symbols™ and ®. TiLite, TiFit, the TiLite logo, Ti, the Ti logo, and TiShaft are registered trademarks of TiSport, LLC and are licensed to Permobil. Permobil® is a registered trademark of Permobil. Adobe®, Acrobat®, Acrobat Professional® and Reader® are registered trademarks of Adobe Systems Inc. Bodypoint® is a registered trademark of Bodypoint Inc. Kenda® is a registered trademark of Kenda Rubber Industrial Co. Ltd. ROHO®, AGILITY®, Low Profile® and Quadro Select® are registered trademarks of ROHO Inc. Schwalbe® is a registered trademark of Ralf Bohle GmbH. The Natural-Fit® and Out-Front® are registered trademarks of Three Rivers Holdings, LLC. The ACTA-BACK®, ACTA-EMBRACE™, COMFORT-TEK™, COMPASS®, CURVE®, ELEMENTS®, and STRETCH AIR™ are registered trademarks of THE COMFORT COMPANY® and are licensed to Permobil. Q'Straint® is a registered trademark of Q'Straint Inc.

## NOTES

**QUOTE THIS CHAIR**

If you are using Adobe Acrobat, this order form may be converted into a quote request or into an order by clicking one of the buttons (this feature is available exclusively to Permobil dealers and distributors). A Quote or an Order Confirmation will be sent to you within 24 hours.

**ORDER THIS CHAIR**