



TiLite Pilot - Order Form



Dealer Name*: _____ Account #*: _____

City, State, Zip: _____

Phone: _____ Email: _____ ATP: _____

Rep Name: _____ P.O. Number: _____ Quote Number: _____

Client Reference*: _____ Client Weight: _____

Special considerations that need to be addressed here (e.g., diagnosis): _____ *Required field

Frame Style

TPFS1	TiLite Pilot INCLUDING Growth Kit Full adjustability. 120lb weight limit. Seat width 'A' grows 2" and seat depth 'B' grows 3". Price includes one-time growth kit and Transit Tie-Down option. Additional kits sold separately.	E1235, E1237	\$ 3,640.00
TPFS2	TiLite Pilot WITHOUT Growth Kit	E1235, E1237	\$ 3,380.00

Transit Options

TPWTB	Transport Brackets Consists of four tie-down brackets.	E1022	No charge
TPTTD0	Transit Tie-Downs Tested to WC-19. Refer to the Transit Tie-Down Option Brochure for important information regarding transit tie-down options. WC-19 tie-down brackets require the TiLite back and head support. 95lb weight limit. Not available for user weight less than 51lbs.	E1023	\$ 271.00

SmartDrive Power Assist System

TPMAXSD1	Permobil SmartDrive MX2+ Not available with rear seat heights less than 13.5" or 20" rear wheels. SmartDrive apps available on Apple App Store and Google Play Store for Apple Watch Series 5 or newer, and Samsung Galaxy Watch 4 or newer.	E0986	\$ 7,529.00
TPMAXSD18	Switch Control Buttons		No charge
TPMAXSD8	SwitchControl Button with Mono Jack Option		No charge
TPMAXSD19	Buddy Button For use with SwitchControl button with mono jack option.		No charge
TPMAXSD4	Carrying Bag		\$ 84.00
TPMAXSD10	Universal Padded Handle		\$ 22.00

Frame Finishes

Frame Color:	TPFF8 High Gloss Black	TPFF10 Red Pepper	TPFF29 Neon Pink
	TPFF14 Ocean Blue Metallic	TPFF15 Tangerine Metallic	TPFF30 Acid Green Metallic
	TPFF17 Midnight Blue Pearl	TPFF18 White Pearl	TPFF19 Black Lava
	TPFF27 Titanium Grey	TPFF59 Pomegranate Red	TPFF62 Blue Mist
	TPFF57 Indigo Purple	TPFF40 Hyper Blue	TPFF41 Flame Orange
	TPFF42 OD Green	TPFF60 Silver Streak	TPFF63 Lavendar Dusk
	TPFF58 Black Galaxy	TPFF61 Seafoam Green	TPFF64 Daffodil Yellow

Color Anodize Package

Standard:	ZAN01 Black						Standard
Anodized Package:	ZAN12 Gold	ZAN15 Green	ZAN13 Purple	ZAN14 Orange	ZAN10 Blue	ZAN11 Red	No charge

Includes caster mount, caster fork and caster caps. If no anodize colour is selected, default will be black.

Frame Measurements

Please refer to Reference Diagrams at end of form for more information.

Seat Width 'A' | Measure inside width from side panel to side panel. Seat width grows 2" if selected width is between 8" and 12". 13" width will grow a maximum of 1", 14" will not grow any wider.

TPSW1: 8" 9" 10" 11" 12" 13" 14"

Seat Depth 'B' | The seat depth can be grown within the selected range.

Seat Depth Range: 9"-12" 11"-15"

TPSD1: 9" 10" 11" 12" 13" 14" 15"

Front Seat Height 'C' | Measure from the floor to the top edge of the front of the seat pan. Adjustable in 0.5" increments.

TPFSH1: 12" 12.5" 13" 13.5" 14" 14.5" 15" 15.5" 16" 16.5"

Rear Seat Height 'D' | Measure from the floor to the top edge of the seat pan at the intersection of the front of the back support pad and seat pan. Adjustable in 0.5" increments.

TPRSH1: 12" 12.5" 13" 13.5" 14" 14.5" 15" 15.5" 16" 16.5"

Seat Depth 'B'	20"			22"			24"		
	Front Height	Rear Height	COG	Front Height	Rear Height	COG	Front Height	Rear Height	COG
9"	12.5"-15"	12"-13.5"	0.5"-1.5"						
10"	12"-15"	12"-13.5"	0.5"-2.25"						
11"	12"-15"	12"-13.5"	0.5"-3"	13.5"-16.5"	13"-15"	0.5"-2.25"	14"-16.5"	13.5"-16"	0.5"-2.25"
12"	12"-15"	12"-13.5"	0.5"-3.5"	13.5"-16"	13"-15"	0.5"-3.25"	14"-16.5"	13.5"-16"	0.5"-3.25"
13"				13"-16"	13"-15"	0.5"-3.5"	13.5"-16.5"	13.5"-16"	0.5"-3.5"
14"				13"-16"	13"-15"	0.5"-3.5"	13.5"-16.5"	13.5"-16"	0.5"-3.5"
15"				13"-16"	13"-15"	1.5"-3.5"	13.5"-16.5"	13.5"-15.5"	1.5"-3.5"

Footrest

Seat to Footrest 'E': 3" 3.5" 4" 4.5" 5" 5.5" 6" 6.5" 7" 7.5" 8" 8.5"
9" 9.5" 10" 10.5" 11" 11.5" 12" 12.5" 13" 13.5" 14" 14.5"

Measure from the top of the footplate to the front of the seat pan. For angle adjustable footrest, measurement must be at least 2" shorter than front seat height. For flip-back footrest, measurement must be at least 3" shorter than front seat height.

TPFTR3 **Angle Adjustable Footrest** Standard
TPFTR24 **Flip-Back Depth and Angle Adjustable Footrest** Not available on 8", 9" or 14" seat widths. K0040 \$ 233.00

Back Supports

Comfort Back Supports

SBRS19 **Comfort Unite 1 Back** Replaces Comfort Acta-Back. Available for 12"-14" seat widths. Inc 2-point quick release Compass hardware. Select shell height and cover. E2613 \$ 712
12" 14"
Comfort-Tek Cover Diamond Spacer Cover

SBRS22 **Comfort Embrace Back** Replaces Comfort Acta-Embrace Back. Available for 10"-14" seat widths. Inc 2-point quick release Compass hardware. Select shell height. E2613 \$ 700
10" 12" 14"

Comfort Back Options

TPCHD1 **Cane Mount Backrest Mounting Hardware** WC-20 certified. Standard

TPLAT1 **BodiLink 3"L x 4"D Lateral Trunk Support** Swing away, GlideWear cover, non-padded.
Left E0956, E1028 \$ 423.00
Right E0956, E1028 \$ 423.00

TPHDR1 **Comfort BodiLink Head Support w/GlideWear® Cover** Uses piano taper midline hardware. Available on Acta-Back, Acta-Embrace and TiLite rigid back supports. The Comfort Head Support is WC-20 certified on the Comfort Unite and Comfort Embrace, WC-19 certified when used with the TiLite backrest. E0955, E1028 \$ 504.00
6" Width 8" Width

Backrest

Back Type

TPSB2	Contoured Non-Folding Adjustable Height Rigid Back w/Pad 11"-13" height range.	E2613	No charge
TPSB3	Aluminum Canes for Aftermarket Back Supports, No Pad Not available with height adjustable fenders.		No charge

Push Handles | Height adjustable range is 33"-40" measured from the floor with 24" wheels.

TPSB6	Bolt-On Height Adjustable Removable Push Handle, Single		\$ 196.00
TPSB7	Bolt-On Height Adjustable Removable Push Handles, Dual		\$ 239.00

Rear Wheel Positioning

Rear Wheel Spacing | Measure from outside of side panel to inside of rear tire at top of wheel. Not all rear wheel spacing is available with all accessories.

TPRWS1	Fixed Rear Wheel Spacing		Standard
	0.75" 1" 1.25" 1.5" 1.75" 2"		
TPCBR12	Adjustable Rear Wheel Spacing Camber Plugs		Standard
TPCBR9	Additional Spacers to Increase Rear Wheel Spacing		No charge

Camber | Black aluminum camber tube standard.

Camber Angle:	2° (Minimum 1.5" rear wheel spacing)	4° (Minimum 1.25" rear wheel spacing)
	6° (Minimum 1" rear wheel spacing)	8°
	12°	

Front Wheels

TPFW14	4"x0.75" Plastic Wheel w/Poly Tire		Standard
TPFW3	4"x0.75" Light-Up Micro Caster		\$ 88.00
TPFW26	4"x1.4" LiteSpeed-7 Plastic Wheel w/Soft Roll Tire		\$ 112.00
TPFW27	4"x1.4" LiteSpeed-7 Billet Aluminum Wheel w/Soft Roll Tire Black hub.		\$ 217.00

Rear Wheels

20" rear wheels only available with seat depth range 9"-12". 22" and 24" rear wheels only available with 11"-15" seat depth range.

TPRW14	TiLite SHADOW Rear Wheel Select size.		No charge
	20" (451) 22" (501) 24" (540)		
TPRW7	Spinergy SPOX Rear Wheel Select size and spoke color. Orange, pink, purple and green spokes only available in 20" size.		\$ 1,195
	20" (451) 22" (501) 24" (540)		
	Black Red Blue White Orange Pink Purple Green		
TPRW8	Spinergy LX Rear Wheel Select size and spoke color.		\$ 1,295
	22" (501) 24" (540)		
	Black Red Blue White Orange Pink Purple Green		
TPRW9	Spinergy Design Lab LX Rear Wheel Black spokes only. Select size and anodizing color. If same color is selected, anodized hubs and rims match colour anodized package.		\$ 1,995
	22" (501) 24" (540)		
	Gold Green Blue Red Purple Orange		
TPRW16	Spinergy Carbon Blade Rear Wheel Select size. 2x2 Twill Weave Carbon Fiber.		\$ 1,795
	24" (540)		
TPRW17	X-Core Mag Rear Wheel Select size. Not with short tabs, quad release axles, spoke guards or omit handrims options. Requires aluminum silver anodized handrims.		\$ 225
	20" (451) 22" (501) 24" (540)		

Axles

TPAXL1	Stainless Quick Release Axle		Standard
TPAXL3	Quad Release Axle Not available with Mag rear wheels.		\$ 169.00

Tires

TPRTR1	Treaded Tire 20”(451), 22”(501), 24”(540)		No charge
TPRTR2	Airless Inserts	E2213	\$ 98.00
TPRTR4	MBL SpeedLite Tire 20”(451), 22”(501), 24”(540)		No charge
TPRTR30	Primo Sentinel Tire 20”(451), 22”(501), 24”(540)		\$ 136.00
TPRTR8	Schwalbe Marathon Plus Evolution Tire 24”(540)		\$ 169

Handrims

TPRIM1	Aluminum Handrim, Silver Anodized		Standard
TPRIM21	Aluminum Handrim, Black Anodized <i>Not available with 20" rear wheels.</i>		No charge
TPRIM20	Q-Grip Handrim <i>Exclusive high-friction, anti-slip coating. Not available with 20" rear wheels.</i>		\$ 358.00
TPRIM5	Plastic Coated Handrim, Black <i>Not available with Mag rear wheels.</i>		\$ 174.00
TPRIM11	The Surge LT Handrim <i>Small profile. All-In-One oval with Gription™ strip. Not available with 20" rear wheels.</i>		\$ 466.00
TPRIM17	The Natural-Fit LT Handrim, Standard Grip <i>Reduced weight, small profile. Not available with 20" rear wheels, short tabs or Spinergy Carbon Blade rear wheels.</i>		\$ 440.00
TPRIM18	The Natural-Fit LT Handrim, Super Grip <i>Reduced weight, small profile. Not available with 20" rear wheels, short tabs or Spinergy Carbon Blade rear wheels.</i>		\$ 514.00
TPRIM19	The Natural-Fit LT Handrim, Without Thumb Grip <i>Reduced weight, small profile. Not available with 20" rear wheels.</i>		\$ 423.00
TPRIM22	Omit Handrims		No charge

Handrim Tab Length

TPRIM7	Long Tabs		Standard
TPRIM8	Short Tabs <i>Not available with Mag rear wheels, The Natural-Fit handrims with thumb grip or The Natural-Fit handrims on Shadow wheels.</i>		\$ 28.00

Wheel Locks

TPWLK30	Compact Push to Lock		No charge
	Standard Location 'F' Forward Location 'G'		
TPWLK31	Compact Pull to Lock		No charge
	Standard Location 'F' Forward Location 'G'		

Seat Options

TPSP1	Solid Seat Pan <i>Required.</i>	E2231	\$ 163.00
-------	--	-------	-----------

Seat Cushions | Refer to reference charts at end of form for more information.

TPCSH2	Comfort Curve Cushion <i>Stretch-Air cover.</i>	E2601	\$ 122.00
TPCSH23	Comfort Embrace Comfort-Tek Zero Elevation Cushion	E2607	\$ 428.00
TPCSH11	ROHO Low Profile Single Compartment Cushion	E2622	\$ 534.00

Side Guards

TPSDG30	Built In Side Guard with Height Adjustable Fender <i>Not available with 20" rear wheels.</i>	E0956, E1034	\$ 487.00
TPSDG31	Built In Side Guard without Fender		Standard

Armrests

TPARM2	Height Adjustable Desk Arm <i>10" armpad. Works with fendered side guard attachment option.</i>	E0973	\$ 363.00
TPARM31	Height Adjustable Armrest <i>Attaches to built in side guards.</i>		Standard

Positioning

Upper Body Positioning

TPUBP1	Bodypoint PivotFit Dynamic Shoulder Harness <i>Cam buckle mounts, rear pull.</i>	E0960	\$ 228.00
	Extra Small Small		
TPUBP2	Bodypoint Monoflex Chest Support	E0960	\$ 217.00
	Extra Small Small		

Pelvic Positioning

TPBLT1	Velcro Adjustable Belt, Black Nylon Webbing	E0978	\$ 61.00
TPBLT8	Q'Straint WC-19 Wheelchair Anchored Pelvic Belt <i>Recommended for use with transit tie down.</i>	E0978	\$ 217.00
TPBLT30	Bodypoint 1" Two-Point Padded Hip Belt <i>Swivel buckle.</i>	E0978	\$ 196.00
TPBLT16	Bodypoint 1" Evoflex Belt <i>Small push-button buckle.</i>	E0978	\$ 201.00

Lower Body Positioning

TPCLF15	Bodypoint Ankle Huggers	E0951	\$ 244.00
	Extra Small Small		

Anti-Tips

TPTIP1	Rear Anti-Tips, Aluminum, Black	E0971	\$ 169.00
TPTIP7	Single Anti-Tip	E0971	\$ 136.00
	Left Side Right Side		

Accessories

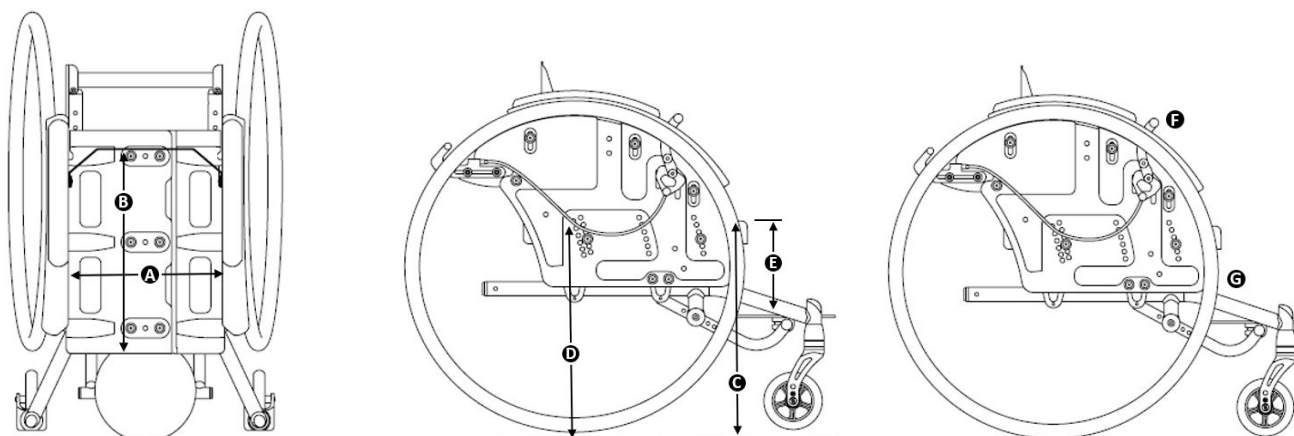
TPGRD30	Clear Polycarbonate Spoke Guards w/TiLite Pilot Sticker Pack <i>Not available with Mag rear wheels.</i>	K0065	\$ 147.00
TPBCK3	Permobil Medical Necessities Backpack		\$ 103.00
TPCH1	Crutch Holder	E2207	\$ 244.00

General

Permobil manufactures TiLite manual wheelchairs in a wide variety of configurations to meet the varied needs of wheelchair users. The final selection of a particular model, its options and accessories, and its measurements rests solely with the wheelchair user and the advising healthcare professional. These wheelchairs must be fitted by a qualified healthcare professional. HCPCS Codes are for reference purposes only. Actual coding and coverage varies by payer. Proper HCPCS coding is not a guarantee of payment. Please verify the appropriate payer's coverage policy. Prices, standard features, options and accessories are subject to change without notice. All rights reserved.

Notes

TiFit Reference Diagrams



Seating Information

Comfort Acta-Embrace Cushion Compatibility

Seat Width 'A'	10"	10", 11", 12", 13", 14", 15"
	11"	10", 11", 12", 13", 14", 15"
	12"	10", 11", 12", 13", 14", 15"
	13"	10", 11", 12", 13", 14", 15"
	14"	10", 11", 12", 13", 14", 15"

Seat Depth 'B'

Roho Configuration Options | *Made to order options have a 2-3 week leadtime.*

Seat Width 'A'	8"	Made to Order	Made to Order	Made to Order	Made to Order	Made to Order	Made to Order
	9"	Made to Order	Made to Order	Made to Order	Made to Order	Made to Order	Made to Order
	10"	Made to Order	Made to Order	Made to Order	Made to Order	Made to Order	Made to Order
	11"	Made to Order	Stocked	Stocked	Stocked	Made to Order	Made to Order
	12"	Made to Order	Stocked	Stocked	Stocked	Made to Order	Made to Order
	13"	Made to Order	Made to Order	Made to Order	Stocked	Stocked	Stocked
	14"	Made to Order	Made to Order	Made to Order	Stocked	Stocked	Stocked
		10"	11"	12"	13"	14"	15"

Seat Depth 'B'