



DESIGNS
UNLIMITED

2GX

DU100004	Custom Adjustable Height Backrest and/or Custom Height Push Handles.....	2
DU100007	Custom Sized Rigid Removable Side Guards	4
DU100012	Custom Spacing on Desk Arm.....	7
DU100015	Custom Spacing on Side Guard.....	10
DU100016	Custom Hanger Front Angle.....	11
DU100043	Tip Back Tubes.....	28
DU100058	Swing Away Tubular Armrest With Desk Arm Pad.....	33
DU100059	Swing Away Tubular Armrest With Full Length Desk Arm Pad.....	34
DU100061	Tubular Flip-up Footplates.....	35
DU100066	Flip-Back Armrest with Desk Arm Pad.....	39
DU100081	Custom Rigid Folding Mechanism (Crosstube) Color.....	47
DU100092	24" x 2" (50-540) Kenda Kobra Tire	57
DU100093	Extra Small Aluminum Sideguard.....	58
DU100094	One Arm Drive	59
DU100098	Extra Small Carbon Fiber Sideguard	63
DU100099	6"-9" Swing Away Flip Back Tubular Armrest.....	64

AEROR

DU100005	Deeper Crosstube Under Seat.....	3
DU100007	Custom Sized Rigid Removable Side Guards.....	4
DU100009	Custom Adjustable Height Folding Backrest.....	6
DU100012	Custom Spacing on Desk Arm.....	7
DU100015	Custom Spacing on Side Guard.....	10
DU100017	Custom Fixed Height Folding Backrest.....	11
DU100025	Height-Adjustable Flip-Back Armrest.....	17
DU100026	Inward Tapered Seat Back, Folding Adjustable Height.....	18
DU100027	Inward Tapered Seat Back, Folding Fixed Height.....	19
DU100028	Outward Tapered Seat Back, Folding Adjustable Height.....	20
DU100029	Outward Tapered Seat Back, Folding Fixed Height.....	21
DU100043	Tip Back Tubes.....	28
DU100054	Custom Fixed Height Folding Backrest.....	31
DU100058	Swing Away Tubular Armrest With Desk Arm Pad.....	33
DU100059	Swing Away Tubular Armrest With Full Length Desk Arm Pad.....	34
DU100061	Tubular Flip-up Footplates.....	35
DU100063	Custom Height Bolt-On Push Handles.....	37
DU100066	Flip-Back Armrest with Desk Arm Pad.....	39
DU100092	24 x 2" (50-540) Kenda Kobra Tire.....	57
DU100093	Extra Small Aluminum Sideguard.....	58
DU100094	One Arm Drive.....	59
DU100098	Extra Small Carbon Fiber Sideguard.....	63

AERO X

DU100004	Custom Adjustable Height Backrest and/or Custom Height Push Handles.....	2
DU100007	Custom Sized Rigid Removable Side Guards.....	4
DU100012	Custom Spacing on Desk Arm.....	7
DU100015	Custom Spacing on Side Guard.....	10
DU100016	Custom Hanger Front Angle.....	11
DU100025	Height-Adjustable Flip-Back Armrest.....	17
DU100043	Tip Back Tubes.....	28
DU100058	Swing Away Tubular Armrest With Desk Arm Pad.....	33
DU100059	Swing Away Tubular Armrest With Full Length Desk Arm Pad.....	34
DU100061	Tubular Flip-up Footplates.....	35
DU100066	Flip-Back Armrest with Desk Arm Pad.....	39
DU100081	Custom Rigid Folding Mechanism (Crosstube) Color.....	47
DU100092	24 x 2" (50-540) Kenda Kobra Tire.....	57
DU100093	Extra Small Aluminum Sideguard.....	58
DU100094	One Arm Drive.....	59
DU100098	Extra Small Carbon Fiber Sideguard.....	63
DU100099	6"-9" Swing Away Flip Back Tubular Armrest.....	64

AERO T

DU100005	Deeper Crosstube Under Seat.....	3
DU100007	Custom Sized Rigid Removable Side Guards.....	4
DU100008	Custom Footrest Width.....	5
DU100009	Custom Adjustable Height Folding Backrest.....	6
DU100012	Custom Spacing on Desk Arm.....	7
DU100014	Custom Front Angle.....	9
DU100015	Custom Spacing on Side Guard.....	10
DU100022	Dual Loop Footrest.....	14
DU100026	Inward Tapered Seat Back, Folding Adjustable Height.....	18
DU100027	Inward Tapered Seat Back, Folding Fixed Height.....	19
DU100028	Outward Tapered Seat Back, Folding Adjustable Height.....	20
DU100029	Outward Tapered Seat Back, Folding Fixed Height.....	21
DU100030	Forward Mounted Footplate.....	22
DU100032	No Footplates.....	24
DU100035	One-Piece Flip-Up Footplate.....	25
DU100040	Two-Piece Flip-Up Footplate.....	27
DU100048	Custom Front Angle.....	30
DU100054	Custom Fixed Height Folding Backrest.....	31
DU100058	Swing Away Tubular Armrest With Desk Arm Pad.....	33
DU100059	Swing Away Tubular Armrest With Full Length Desk Arm Pad.....	34
DU100062	Custom Caster Placement.....	36
DU100065	Full Size Quote Drawing.....	38
DU100066	Flip-Back Armrest with Desk Arm Pad.....	39
DU100067	Flip-Back Armrest With Full Length Desk Arm Pad.....	40
DU100068	Custom Upholstery.....	41
DU100069	Titanium Single Swivel Caster Anti-Tip.....	42
DU100075	18" Mag Wheels W/Treaded Tire.....	45
DU100077	Custom Height Seat Back Rigidizer Bar.....	46
DU100083	Squared Off Titanium Footrest.....	49
DU100084	Custom Footrest Height Adjustment.....	50
DU100091	Mixed Color Anodized Parts.....	55
DU100092	24 x 2" (50-540) Kenda Kobra Tire.....	57
DU100093	Extra Small Aluminum Sideguard.....	58
DU100094	One Arm Drive.....	59
DU100096	Non-Adjustable Aero T Ti Upgrade.....	61
DU100098	Extra Small Carbon Fiber Sideguard.....	63
DU100099	6"-9" Swing Away Flip Back Tubular Armrest.....	64



DU100007	Custom Sized Rigid Removable Side Guards.....	4
DU100008	Custom Footrest Width.....	5
DU100009	Custom Adjustable Height Folding Backrest.....	6
DU100012	Custom Spacing on Desk Arm.....	7
DU100015	Custom Spacing on Side Guard.....	10
DU100017	Custom Fixed Height Folding Backrest.....	11
DU100022	Dual Loop Footrest.....	14
DU100026	Inward Tapered Seat Back, Folding Adjustable Height.....	18
DU100027	Inward Tapered Seat Back, Folding Fixed Height.....	19
DU100028	Outward Tapered Seat Back, Folding Adjustable Height.....	20
DU100029	Outward Tapered Seat Back, Folding Fixed Height.....	21
DU100030	Forward Mounted Footplate.....	22
DU100048	Custom Front Angle.....	30
DU100058	Swing Away Tubular Armrest With Desk Arm Pad.....	33
DU100059	Swing Away Tubular Armrest With Full Length Desk Arm Pad.....	34
DU100062	Custom Caster Placement.....	36
DU100063	Custom Height Bolt-On Push Handles.....	37
DU100065	Full Size Quote Drawing.....	38
DU100066	Flip-Back Armrest with Desk Arm Pad.....	39
DU100067	Flip-Back Armrest With Full Length Desk Arm Pad.....	40
DU100068	Custom Upholstery.....	41
DU100069	Titanium Single Swivel Caster Anti-Tip.....	42
DU100077	Custom Height Seat Back Rigidizer Bar.....	46
DU100082	Front Frame Rigidizer Bar.....	48
DU100083	Squared Off Titanium Footrest.....	49
DU100084	Custom Footrest Height Adjustment.....	50
DU100087	Mixed Color Anodized Parts.....	52
DU100092	24 x 2" (50-540) Kenda Kobra Tire.....	57
DU100093	Extra Small Aluminum Sideguard.....	58
DU100094	One Arm Drive.....	59
DU100096	Non-Adjustable Aero Z Ti Upgrade.....	62
DU100098	Extra Small Carbon Fiber Sideguard.....	63
DU100099	6"-9" Swing Away Flip Back Tubular Armrest.....	64



DU100003	All Terrain TR.....	1
DU100005	Deeper Crosstube Under Seat.....	3
DU100007	Custom Sized Rigid Removable Side Guards.....	4
DU100008	Custom Footrest Width.....	5
DU100009	Custom Adjustable Height Folding Backrest.....	6
DU100012	Custom Spacing on Desk Arm.....	7
DU100013	Custom Non Folding Fixed Height Titanium Backrest.....	8
DU100014	Custom Front Angle.....	9
DU100015	Custom Spacing on Side Guard.....	10
DU100017	Custom Fixed Height Folding Backrest.....	12
DU100022	Dual Loop Footrest.....	14
DU100023	Fixed Aluminum Side Guard.....	15
DU100026	Inward Tapered Seat Back, Folding Adjustable Height.....	18
DU100027	Inward Tapered Seat Back, Folding Fixed Height.....	19
DU100028	Outward Tapered Seat Back, Folding Adjustable Height.....	20
DU100029	Outward Tapered Seat Back, Folding Fixed Height.....	21
DU100030	Forward Mounted Footplate.....	22
DU100031	Fixed Height Push Handles On Backrest.....	23
DU100032	No Footplates.....	24
DU100035	One-Piece Flip-Up Footplate.....	25
DU100040	Two-Piece Flip-Up Footplate.....	27
DU100048	Custom Front Angle.....	30
DU100054	Custom Fixed Height Folding Backrest.....	31
DU100057	Custom Non Folding Adjustable Height Backrest.....	32
DU100058	Swing Away Tubular Armrest With Desk Arm Pad.....	33
DU100059	Swing Away Tubular Armrest With Full Length Desk Arm Pad.....	34
DU100062	Custom Caster Placement.....	36
DU100063	Custom Height Bolt-On Push Handles.....	37
DU100065	Full Size Quote Drawing.....	38
DU100066	Flip-Back Armrest With Desk Arm Pad.....	39
DU100068	Custom Upholstery.....	41
DU100069	Titanium Single Swivel Caster Anti-Tip.....	42
DU100073	Mixed Color Anodized Parts.....	44
DU100075	18" Mag Wheels W/Treaded Tire.....	45
DU100077	Custom Height Seat Back Rigidizer Bar.....	46
DU100083	Squared Off Titanium Footrest.....	49
DU100084	Custom Footrest Height Adjustment.....	50
DU100092	24" x 2" (50-540) Kenda Kobra Tire.....	57
DU100093	Extra Small Aluminum Sideguard.....	58
DU100094	One Arm Drive.....	59
DU100098	Extra Small Carbon Fiber Sideguard.....	63
DU100099	6"-9" Swing Away Flip Back Tubular Armrest.....	64



DU100005	Deeper Crosstube Under Seat.....	3
DU100007	Custom Sized Rigid Removable Side Guards.....	4
DU100008	Custom Footrest Width.....	5
DU100009	Custom Adjustable Height Folding Backrest.....	6
DU100012	Custom Spacing on Desk Arm.....	7
DU100014	Custom Front Angle.....	9
DU100015	Custom Spacing on Side Guard.....	10
DU100017	Custom Fixed Height Folding Backrest.....	12
DU100022	Dual Loop Footrest.....	14
DU100026	Inward Tapered Seat Back, Folding Adjustable Height.....	18
DU100027	Inward Tapered Seat Back, Folding Fixed Height.....	19
DU100028	Outward Tapered Seat Back, Folding Adjustable Height.....	20
DU100029	Outward Tapered Seat Back, Folding Fixed Height.....	21
DU100030	Forward Mounted Footplate.....	22
DU100032	No Footplates.....	24
DU100035	One-Piece Flip-Up Footplate.....	25
DU100040	Two-Piece Flip-Up Footplate.....	27
DU100054	Custom Fixed Height Folding Backrest.....	31
DU100058	Swing Away Tubular Armrest With Desk Arm Pad.....	33
DU100059	Swing Away Tubular Armrest With Full Length Desk Arm Pad.....	34
DU100062	Custom Caster Placement.....	36
DU100063	Custom Height Bolt-On Push Handles.....	37
DU100065	Full Size Quote Drawing.....	38
DU100066	Flip-Back Armrest with Desk Arm Pad.....	39
DU100067	Flip-Back Armrest With Full Length Desk Arm Pad.....	40
DU100068	Custom Upholstery.....	41
DU100069	Titanium Single Swivel Caster Anti-Tip.....	42
DU100075	18" Mag Wheels W/Treaded Tire.....	45
DU100077	Custom Height Seat Back Rigidizer Bar.....	46
DU100083	Squared Off Titanium Footrest	49
DU100084	Custom Footrest Height Adjustment	50
DU100091	Mixed Color Anodized Parts.....	55
DU100092	24" x 2" (50-540) Kenda Kobra Tire	57
DU100093	Extra Small Aluminum Sideguard.....	58
DU100094	One Arm Drive	59
DU100098	Extra Small Carbon Fiber Sideguard	63
DU100099	6"-9" Swing Away Flip Back Tubular Armrest	64

TWIST

DU100007	Custom Sized Rigid Removable Side Guards.....	4
DU100009	Custom Adjustable Height Folding Backrest.....	6
DU100012	Custom Spacing on Desk Arm.....	7
DU100015	Custom Spacing on Side Guard.....	10
DU100063	Custom Height Bolt-On Push Handles.....	37
DU100077	Custom Height Seat Back Rigidizer Bar.....	46
DU100087	Mixed Color Anodized Parts.....	52
DU100089	Custom Seat Width and Seat Depth Combinations.....	54
DU100094	One Arm Drive	59
DU100095	Power Add-On Frank Mobility.....	60

TX

DU100007	Custom Sized Rigid Removable Side Guards.....	4
DU100024	Height Adjustable Flip-Back Armrest.....	16
DU100031	Fixed Push Handles On Frame Backrest.....	23
DU100046	Custom Front Angle.....	29
DU100058	Swing Away Tubular Armrest With Desk Arm Pad.....	33
DU100059	Swing Away Tubular Armrest With Full Length Desk Arm Pad.....	34
DU100061	Tubular Flip-Up Footplates.....	35
DU100062	Custom Caster Placement.....	36
DU100068	Custom Upholstery.....	41
DU100072	Mixed Color Anodized Parts.....	43
DU100075	16" & 18" Mag Wheels W/Treaded Tire.....	45
DU100081	Custom Rigid Folding Mechanism (Crosstube) Color.....	47
DU100092	24" x 2" (50-540) Kenda Kobra Tire	57
DU100093	Extra Small Aluminum Sideguard	58
DU100098	Extra Small Carbon Fiber Sideguard	63



DU100005	Deeper Crosstube Under Seat.....	3
DU100007	Custom Sized Rigid Removable Side Guards.....	4
DU100008	Custom Footrest Width.....	5
DU100009	Custom Adjustable Height Folding Backrest.....	6
DU100012	Custom Spacing on Desk Arm.....	7
DU100013	Custom Non Folding Fixed Height Titanium Backrest.....	8
DU100015	Custom Spacing on Side Guard.....	10
DU100017	Custom Fixed Height Folding Backrest.....	11
DU100019	Custom Non Folding Adjustable Height Backrest.....	13
DU100022	Dual Loop Footrest.....	14
DU100023	Fixed Aluminum Side Guard.....	15
DU100026	Inward Tapered Seat Back, Folding Adjustable Height.....	18
DU100027	Inward Tapered Seat Back, Folding Fixed Height.....	19
DU100028	Outward Tapered Seat Back, Folding Adjustable Height.....	20
DU100029	Outward Tapered Seat Back, Folding Fixed Height.....	21
DU100030	Forward Mounted Footplate.....	22
DU100031	Fixed Height Push Handles On Backrest.....	23
DU100048	Custom Front Angle.....	30
DU100058	Swing Away Tubular Armrest With Desk Arm Pad.....	33
DU100059	Swing Away Tubular Armrest With Full Length Desk Arm Pad.....	34
DU100062	Custom Caster Placement.....	36
DU100063	Custom Height Bolt-On Push Handles.....	37
DU100065	Full Size Quote Drawing.....	38
DU100066	Flip-Back Armrest With Desk Arm Pad.....	39
DU100067	Flip-Back Armrest With Full Length Desk Arm Pad.....	40
DU100068	Custom Upholstery.....	41
DU100069	Titanium Single Swivel Caster Anti-Tip.....	42
DU100077	Custom Height Seat Back Rigidizer Bar.....	46
DU100082	Front Frame Rigidizer Bar.....	48
DU100083	Squared Off Titanium Footrest.....	49
DU100084	Custom Footrest Height Adjustment.....	50
DU100085	Fixed Carbon Fiber Side Guards.....	51
DU100087	Mixed Color Anodized Parts - ZRA.....	52
DU100088	Mixed Color Anodized Parts - ZR.....	53
DU100092	24" x 2" (50-540) Kenda Kobra Tire	57
DU100093	Extra Small Aluminum Sideguard.....	58
DU100094	One Arm Drive	59
DU100098	Extra Small Carbon Fiber Sideguard	63
DU100099	6"-9" Swing Away Flip Back Tubular Armrest	64

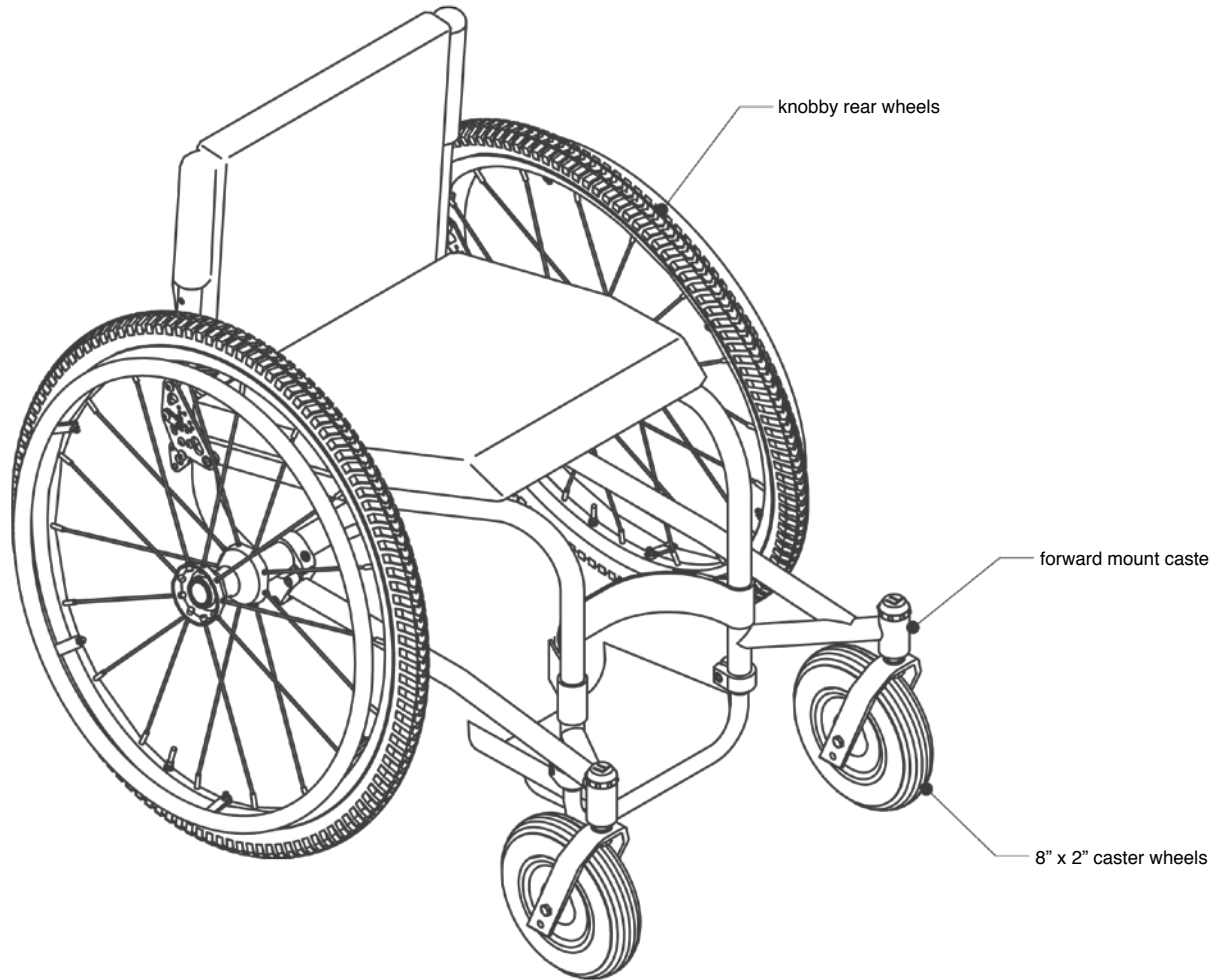
DEALER INFORMATION

Dealer Name:

Customer Name:

Account Number:

PO Number:

DESIGNS UNLIMITEDPlease Fax This Page with the Order Form to **TiLite Customer Service 866.586.2413 or 509.586.2413****ALL TERRAIN TR**

Part Number: DU100003

Price: \$ 3,955.00

Please allow an additional 2-3 weeks for delivery

Available On: TiLite TR.**Requirements:**

- Use TR order form.

Modifications:

- Forward mounted 8" x 2" pneumatic caster wheels.
 - Increased front angle past 90° available.

Rear Wheels: TiLite Heat Treated Wheel w/High Flange Hub 24"(540) 26" (590) Spinerger SPOX™ Black Red Yellow Blue 24"(540) - Std. Hub 26"(590) - Sport Hub Spinerger LX™ Black Red Yellow Blue 24"(540) - Std. Hub 26"(590) - Sport Hub**Pneumatic Rear Tires:** 24"(507) Gray Knobby (Requires High Flange Hub) 26"(559) Black Knobby (Requires High Flange Hub, SPOX, or LX)

△ **NOTE:** TiLite's warranty does not cover TiLite Designs Unlimited frames and frame components, unless TiLite determines that the frame or frame component was defectively manufactured.

**THE ULTIMATE RIDE.®**

tilite.com

2701 West Court Street | Pasco, Washington 99301

509.586.6117 Tel | 800.545.2266 Toll-Free

509.586.2413 Fax | 866.586.2413 Toll-Free Fax

SPECIAL INSTRUCTIONS

TiLite®DU_0092 REV A

DEALER INFORMATION

Dealer Name:

Customer Name:

Account Number:

PO Number:

DESIGNS UNLIMITED

Please Fax This Page with the Order Form to **TiLite Customer Service 866.586.2413 or 509.586.2413**

CUSTOM ADJ. HEIGHT BACKREST AND/OR CUSTOM HEIGHT PUSH HANDLES

Part Number: DU100004

Price: \$ 360.00

Please allow an additional 2-3 weeks for delivery

Available On: TiLite Aero X and 2GX.

Modifications:

- Custom backrest extension tubes fabricated to a specific height.

Adjustable Seat Back Height Aero X and 2GX (Adjusts in 1" increments):

- 11" - 14" 12" - 15" 13" - 16"
- 14" - 17" 15" - 18" 16" - 19"
- 17" - 20"

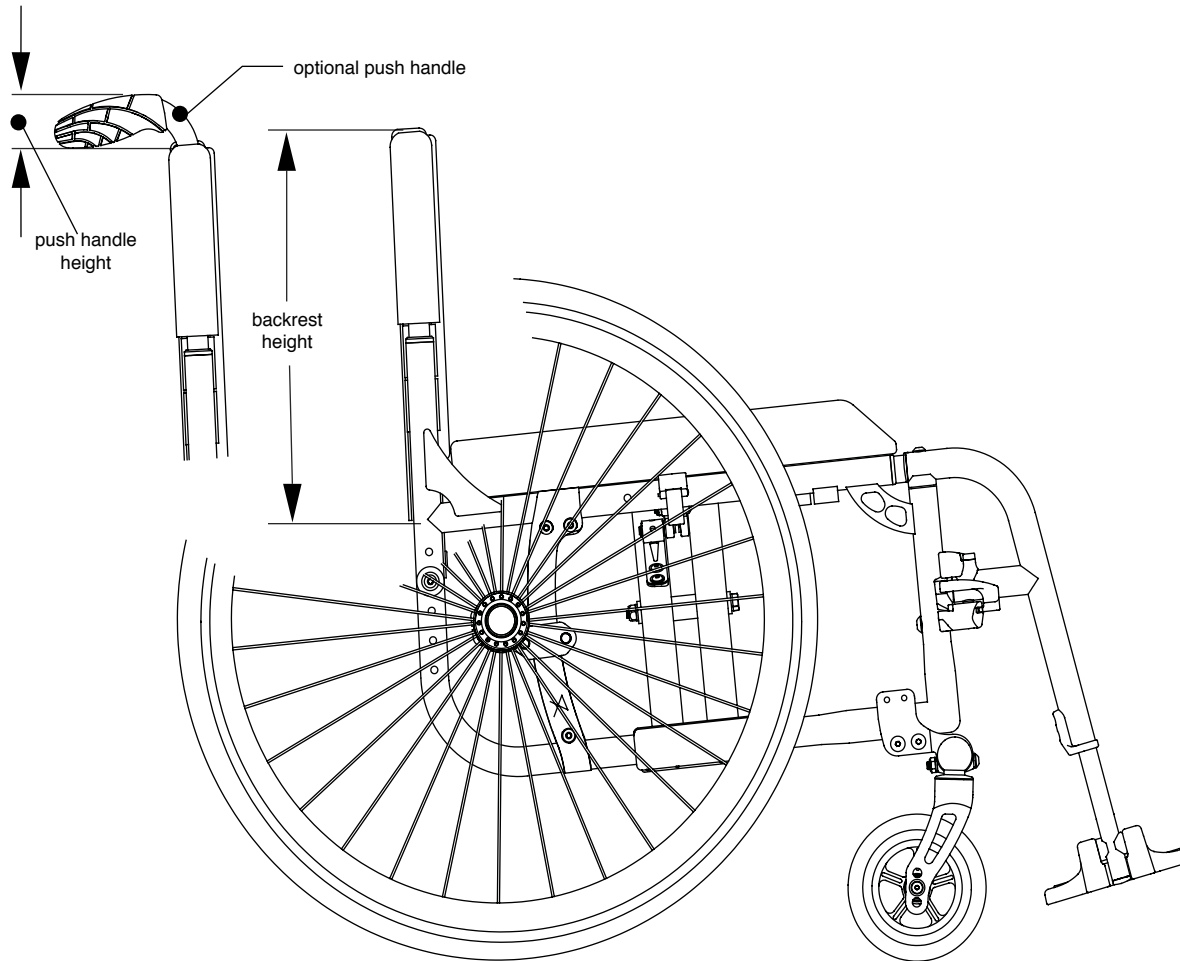
Set at: _____

Backrest Style:

- Straight
- Straight w/Push Handles Integrated on Back Post
- Straight w/Bolt-On Height-Adjustable Push Handles
- Straight w/Stroller Handles
- 8-Degree Bend
- 8-Degree Bend w/Push Handles Integrated on Back Post
- 8-Degree Bend w/Stroller Handles
- 8-Degree Bend w/Bolt-On Height Adjustable Push Handles

Push Handle Height (Must be at least 1-1/2" above upholstery height).

- Standard Other



△ **NOTE:** TiLite's warranty does not cover TiLite Designs Unlimited frames and frame components, unless TiLite determines that the frame or frame component was defectively manufactured.



THE ULTIMATE RIDE.®
 tilite.com
 2701 West Court Street | Pasco, Washington 99301
 509.586.6117 Tel | 800.545.2266 Toll-Free
 509.586.2413 Fax | 866.586.2413 Toll-Free Fax

SPECIAL INSTRUCTIONS

TiLite®DU_0092 REV A

DEALER INFORMATION

Dealer Name:

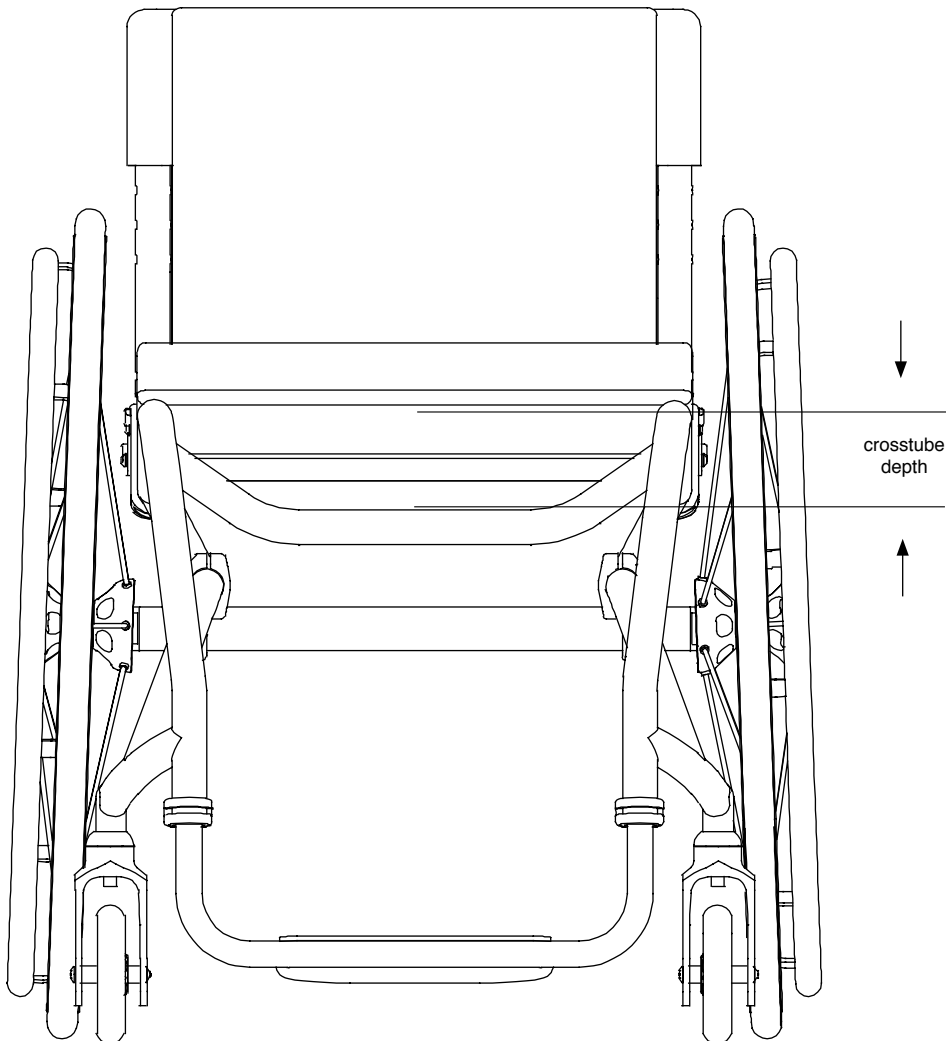
Customer Name:

Account Number:

PO Number:

DESIGNS UNLIMITED

Please Fax This Page with the Order Form to **TiLite Customer Service 866.586.2413 or 509.586.2413**



DEEPER CROSSTUBE UNDER SEAT

Part Number: DU100005

Price: \$ 150.00

Please allow an additional week for delivery

Available On: TiLite TR, TRA, ZR, ZRA, Aero R, Aero T, and Aero Z.

Modifications:

- Crosstube is custom fabricated to non-standard depth under seat for more clearance when hamocking.

Crosstube Depth (2-1/4" Standard):

- 2-1/2" 2-3/4" 3" 3-1/4"
- 3-1/2" 3-3/4" 4" Other: _____

△ **NOTE:** TiLite's warranty does not cover TiLite Designs Unlimited frames and frame components, unless TiLite determines that the frame or frame component was defectively manufactured.



THE ULTIMATE RIDE.®

tilite.com
2701 West Court Street | Pasco, Washington 99301
509.586.6117 Tel | 800.545.2266 Toll-Free
509.586.2413 Fax | 866.586.2413 Toll-Free Fax

SPECIAL INSTRUCTIONS

TiLite®DU_0092 REV A

DEALER INFORMATION

Dealer Name:

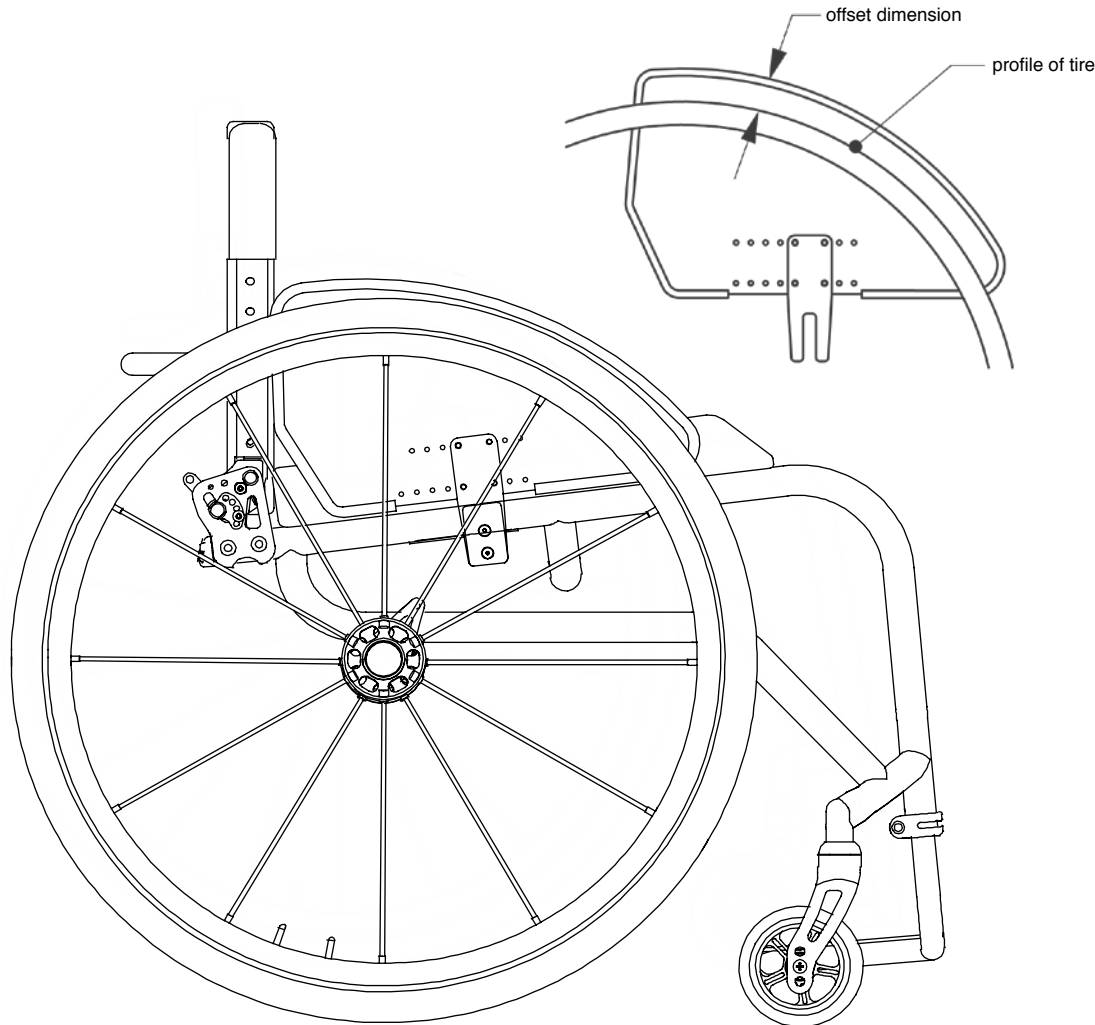
Customer Name:

Account Number:

PO Number:

DESIGNS UNLIMITED

Please Fax This Page with the Order Form to **TiLite Customer Service 866.586.2413 or 509.586.2413**



CUSTOM SIZED RIGID REMOVABLE SIDE GUARDS

Part Number: DU100007

Price: \$ 360.00

Available On: TiLite TR, TRA, ZR, ZRA, TX, Aero R, Aero X, 2GX, Aero Z, Aero T, and Twist.

Modifications:

- Custom black powdercoated aluminum side guard with edge molding fabricated to match requested dimensions.
- Available with quad removable style holes.

Rigid Removable Aluminum Side Guards:

- Side Guard Profiled to Height of Tire.
- Side Guard Profile Higher than Tire.
 - 1/2" Higher 1" Higher 1-1/2" Higher
 - 2" Higher
- Side Guard Profile Lower than Tire.
 - 1/2" Lower 1" Lower 1-1/2" Lower
 - 2" Lower Other: _____
- Quad Removeable w/Hole
- Custom Side Guard Shape (sketch below)

△ **NOTE:** TiLite's warranty does not cover TiLite Designs Unlimited frames and frame components, unless TiLite determines that the frame or frame component was defectively manufactured.



THE ULTIMATE RIDE.®
 tilite.com
 2701 West Court Street | Pasco, Washington 99301
 509.586.6117 Tel | 800.545.2266 Toll-Free
 509.586.2413 Fax | 866.586.2413 Toll-Free Fax

SPECIAL INSTRUCTIONS

TiLite®DU_0092 REV A

DEALER INFORMATION

Dealer Name:

Customer Name:

Account Number:

PO Number:

DESIGNS UNLIMITED

Please Fax This Page with the Order Form to **TiLite Customer Service 866.586.2413 or 509.586.2413**

CUSTOM FOOTREST WIDTH

Part Number: DU100008

Price: \$ 360.00

Please allow an additional week for delivery

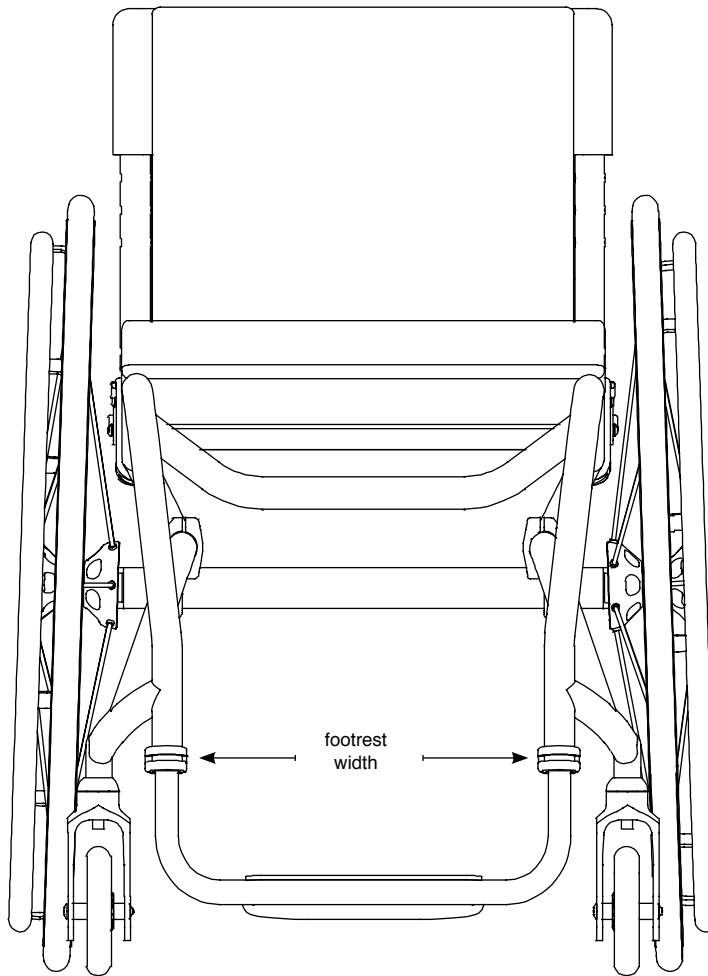
Available On: TiLite TR, TRA, ZR, ZRA, Aero T, and Aero Z.

Modifications:

- Frame is custom fabricated to non-standard footrest widths.
- Footrest width dimension must be at least 2" narrower than seat width on TR chair and 2-1/2" narrower than seat width on ZR, ZRA and Aero Z chairs.

Custom Footrest Width:

- 8" 8-1/2" 9" 9-1/2" 10" 10-1/2"
- 11" 11-1/2" 12" 12-1/2" 13" 13-1/2"
- 14" 14-1/2" 15" 15-1/2" 16" 16-1/2"
- 17" 17-1/2" 18" Other: _____



△ **NOTE:** TiLite's warranty does not cover TiLite Designs Unlimited frames and frame components, unless TiLite determines that the frame or frame component was defectively manufactured.



THE ULTIMATE RIDE.®
 tilite.com
 2701 West Court Street | Pasco, Washington 99301
 509.586.6117 Tel | 800.545.2266 Toll-Free
 509.586.2413 Fax | 866.586.2413 Toll-Free Fax

SPECIAL INSTRUCTIONS

TiLite®DU_0092 REV A

DEALER INFORMATION

Dealer Name:

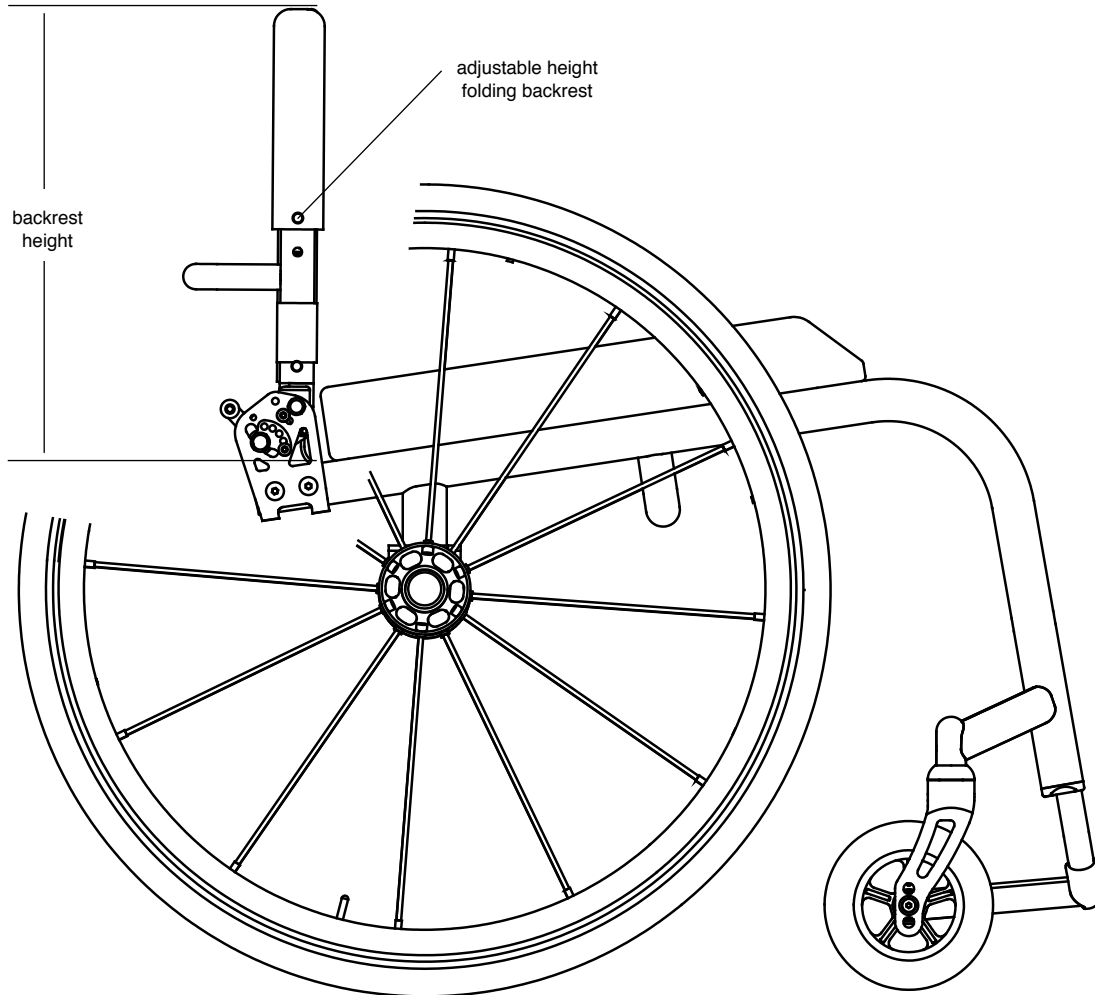
Customer Name:

Account Number:

PO Number:

DESIGNS UNLIMITED

Please Fax This Page with the Order Form to **TiLite Customer Service 866.586.2413 or 509.586.2413**



CUSTOM ADJUSTABLE HEIGHT FOLDING BACKREST

Part Number: DU100009

Price: \$ 360.00

Please allow an additional 2-3 weeks for delivery

Available On: TiLite TR, TRA, ZR, ZRA, Aero R, Aero Z, Aero T, and Twist.

Modifications:

- Backrest fabricated to have custom height adjustment ranges.

Requirements:

- Choose Aluminum or Titanium backrest on order form.

For TiLite Aero R Chairs

Seat Back Height w/o Push Handles

- 8 - 12" 8-1/2 - 12-1/2" 9 - 13" 9-1/2 - 13-1/2"
- 10 - 14" 10-1/2 - 14-1/2" 11 - 15" 11-1/2 - 15-1/2"
- 12 - 16" 12-1/2 - 16-1/2" 13 - 17" 13-1/2 - 17-1/2"
- 14 - 18" 14-1/2 - 18-1/2" 15 - 19" 15-1/2 - 19-1/2"
- 16 - 20"

Set at: _____ (Use 1/2" increments)

Seat Back Height w/ Push Handles

- 10 - 12" 10-1/2 - 12-1/2" 11 - 14" 11-1/2 - 14-1/2"
- 12 - 15" 12-1/2 - 15-1/2" 13 - 16" 13-1/2 - 16-1/2"
- 14 - 17" 14-1/2 - 17-1/2" 15 - 18" 15-1/2 - 18-1/2"
- 16 - 19" 16-1/2 - 19-1/2" 17 - 20"

Set at: _____ (Use 1/2" increments)

For TiLite TR, TRA, ZR, ZRA, Aero R, Aero Z, Aero T, and Twist

Seat Back Height w/o Push Handles

- 8-1/2 - 12-1/2" 9 - 13" 9-1/2 - 13-1/2" 10 - 14"
- 10-1/2 - 14-1/2" 11 - 15" 11-1/2 - 15-1/2" 12 - 16"
- 12-1/2 - 16-1/2" 13 - 17" 13-1/2 - 17-1/2" 14 - 18"
- 14-1/2 - 18-1/2" 15 - 19" 15-1/2 - 19-1/2" 16 - 20"
- 16-1/2 - 20-1/2"

Set at: _____ (Use 1/2" increments)

Seat Back Height w/ Push Handles

- 10-1/2 - 12-1/2" 11 - 14" 11-1/2 - 14-1/2" 12 - 15"
- 12-1/2 - 15-1/2" 13 - 16" 13-1/2 - 16-1/2" 14 - 17"
- 14-1/2 - 17-1/2" 15 - 18" 15-1/2 - 18-1/2" 16 - 19"
- 16-1/2 - 19-1/2" 17 - 20" 17-1/2 - 20-1/2"

Set at: _____ (Use 1/2" increments)

Seat Back Height w/ Integrated Fold-Down

- 13 - 15.5" 13-1/2 - 16" 14 - 16.5" 14-1/2 - 17"
- 15 - 17.5" 15-1/2 - 18" 16 - 18.5" 16-1/2 - 19"
- 17 - 19.5" 17-1/2 - 20" 18 - 20.5" 18-1/2 - 21"

Set at: _____ (Use 1/2" increments)

△ **NOTE:** TiLite's warranty does not cover TiLite Designs Unlimited frames and frame components, unless TiLite determines that the frame or frame component was defectively manufactured.



THE ULTIMATE RIDE.®

tilite.com
2701 West Court Street | Pasco, Washington 99301
509.586.6117 Tel | 800.545.2266 Toll-Free
509.586.2413 Fax | 866.586.2413 Toll-Free Fax

SPECIAL INSTRUCTIONS

TiLite®DU_0092 REV A

DEALER INFORMATION

Dealer Name:

Customer Name:

Account Number:

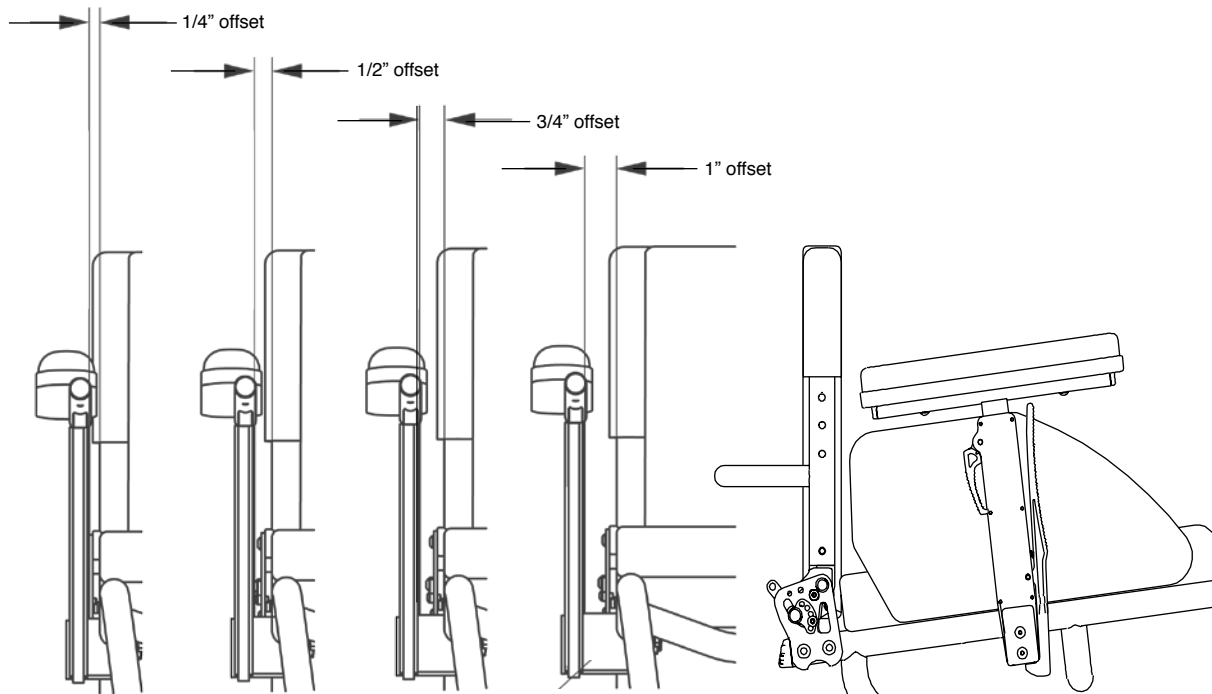
PO Number:

DESIGNS UNLIMITEDPlease Fax This Page with the Order Form to **TiLite Customer Service 866.586.2413 or 509.586.2413****CUSTOM SPACING ON DESK ARM**

Part Number: DU100012

Price: \$ 300.00

Please allow an additional 2-3 weeks for delivery

**Available On:** TiLite TR, TRA, ZR, ZRA, Aero Z, Aero T, Aero X, 2GX, Aero R, TX, and Twist.**Modifications:**

- Custom mounting bracket fabricated to increase offset dimension from edge of seat to inside of side guard panel.
- Custom desk arm spacing may require rear wheels to be spaced out for clearance of desk arm clamp.

Side Guard Panel Offset
 1/4" 1/2" 3/4" 1"

△ **NOTE:** TiLite's warranty does not cover TiLite Designs Unlimited frames and frame components, unless TiLite determines that the frame or frame component was defectively manufactured.

**THE ULTIMATE RIDE.®**

tilite.com
 2701 West Court Street | Pasco, Washington 99301
 509.586.6117 Tel | 800.545.2266 Toll-Free
 509.586.2413 Fax | 866.586.2413 Toll-Free Fax

SPECIAL INSTRUCTIONS

TiLite®DU_0092 REV A

DEALER INFORMATION

Dealer Name:

Customer Name:

Account Number:

PO Number:

DESIGNS UNLIMITED

Please Fax This Page with the Order Form to **TiLite Customer Service 866.586.2413 or 509.586.2413**

CUSTOM NON-FOLDING FIXED HEIGHT TITANIUM BACKREST

Part Number: DU100013

Price: \$ 360.00

Please allow an additional 2-3 weeks for delivery

Available On: TiLite ZR. (Not available with Transit Tie-Down Option or Wheelchair Transport Bracket Option.)

Modifications:

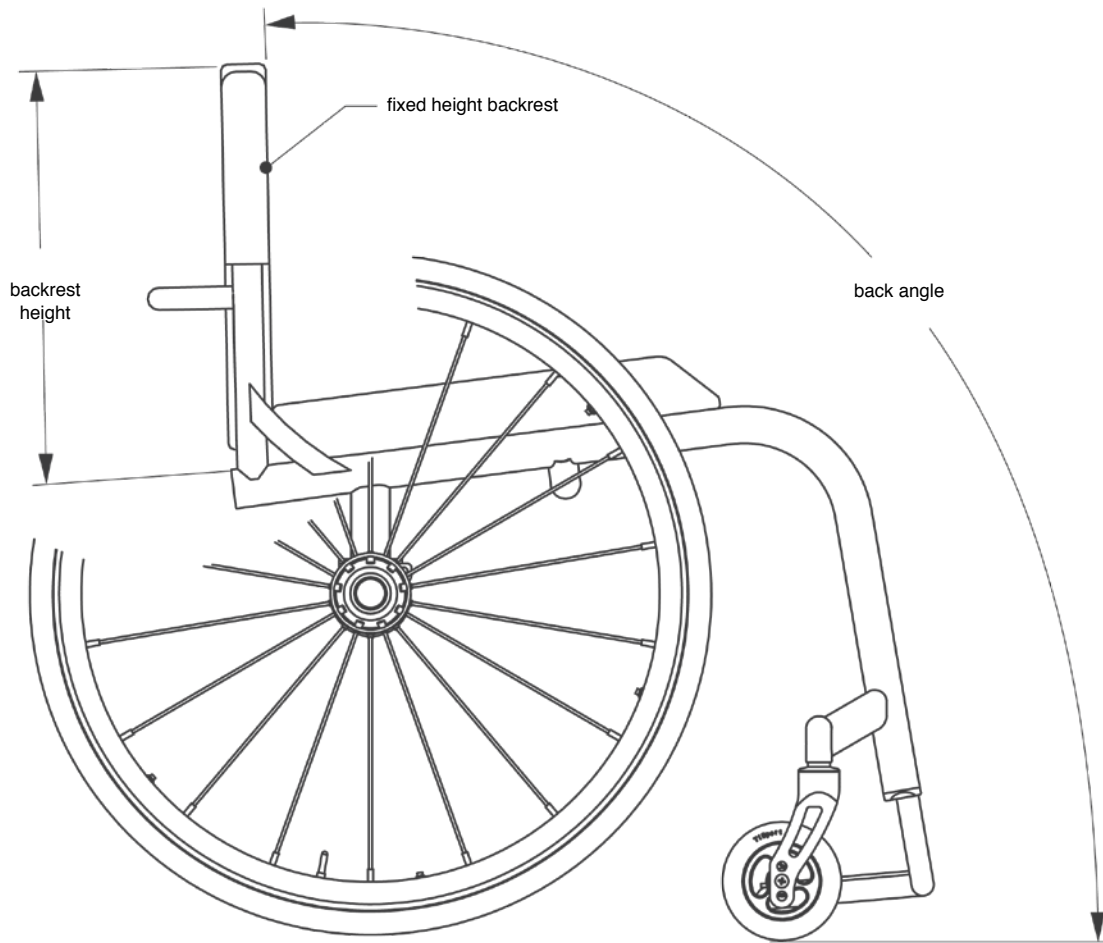
- Non-folding fixed height backrest is fabricated to custom height.

Fixed Seat Back Height

- 5" 5-1/2" 6" 6-1/2" 7" 7-1/2"
- 8" 8-1/2" 9" 9-1/2" 10" 10-1/2"
- 11" 11-1/2" 12" 12-1/2" 13" 13-1/2"
- 14" 14-1/2" 15" 15-1/2" 16" 16-1/2"
- 17" 17-1/2" 18" 18-1/2" 19" 19-1/2"
- 20" Other: _____

Back Angle

- 80° 81° 82° 83° 84° 85° 86° 87°
- 88° 89° 90° 91° 92° 93° 94° 95°
- 96° 97° 98° 99° 100° 101°
- Other: _____



△ **NOTE:** TiLite's warranty does not cover TiLite Designs Unlimited frames and frame components, unless TiLite determines that the frame or frame component was defectively manufactured.



THE ULTIMATE RIDE.®
 tilite.com
 2701 West Court Street | Pasco, Washington 99301
 509.586.6117 Tel | 800.545.2266 Toll-Free
 509.586.2413 Fax | 866.586.2413 Toll-Free Fax

SPECIAL INSTRUCTIONS

TiLite®DU_0092 REV A

DEALER INFORMATION

Dealer Name:

Customer Name:

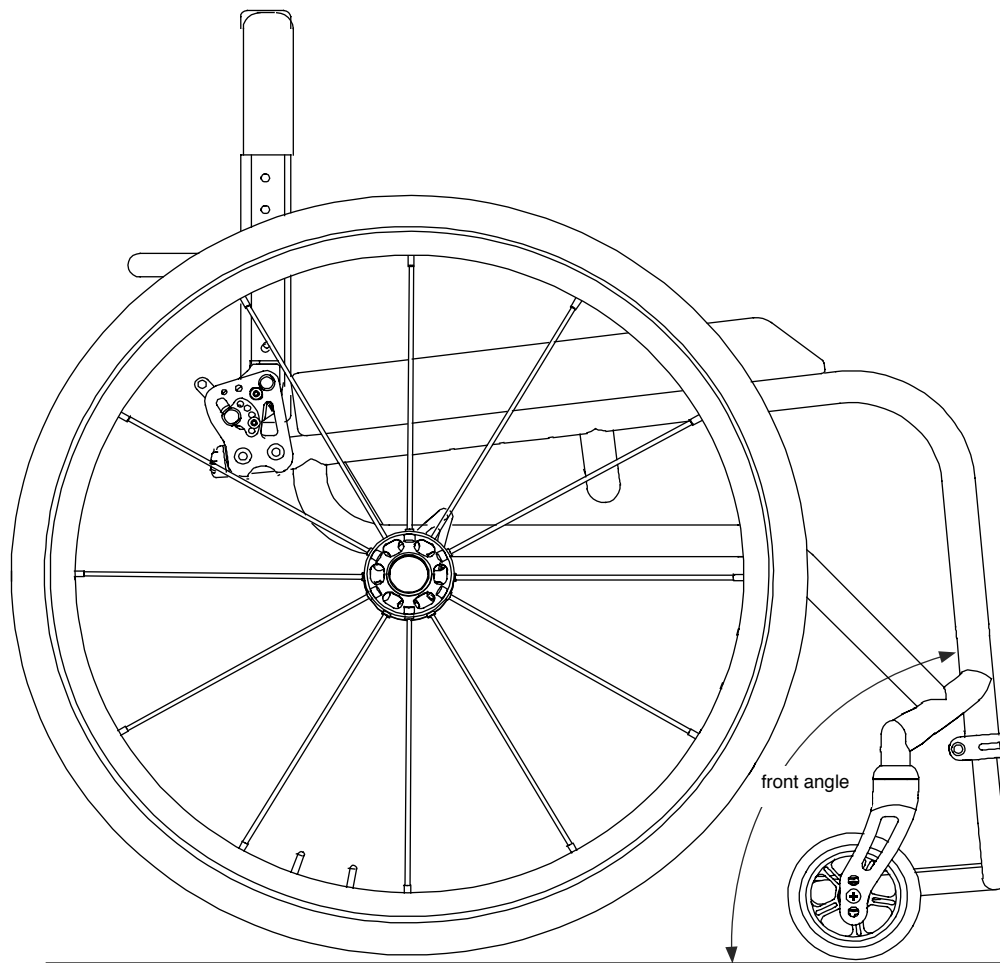
Account Number:

PO Number:

DESIGNS UNLIMITEDPlease Fax This Page with the Order Form to **TiLite Customer Service 866.586.2413 or 509.586.2413****CUSTOM FRONT ANGLE**

Part Number: DU100014

Price: \$ 200.00

**Available On:** TiLite TR TRA, and Aero T.**Modifications:**

- Frame is fabricated with non-standard front angle.
- Higher angles may cause clearance problems with some caster combinations.

Front Angle

- 60° 65° 70° 75° 80° 85° 90°
 Other: ____ (between 60° and 90°)

△ **NOTE:** TiLite's warranty does not cover TiLite Designs Unlimited frames and frame components, unless TiLite determines that the frame or frame component was defectively manufactured.

**THE ULTIMATE RIDE.®**

tilite.com
 2701 West Court Street | Pasco, Washington 99301
 509.586.6117 Tel | 800.545.2266 Toll-Free
 509.586.2413 Fax | 866.586.2413 Toll-Free Fax

SPECIAL INSTRUCTIONS

TiLite®DU_0092 REV A

DEALER INFORMATION

Dealer Name:

Customer Name:

Account Number:

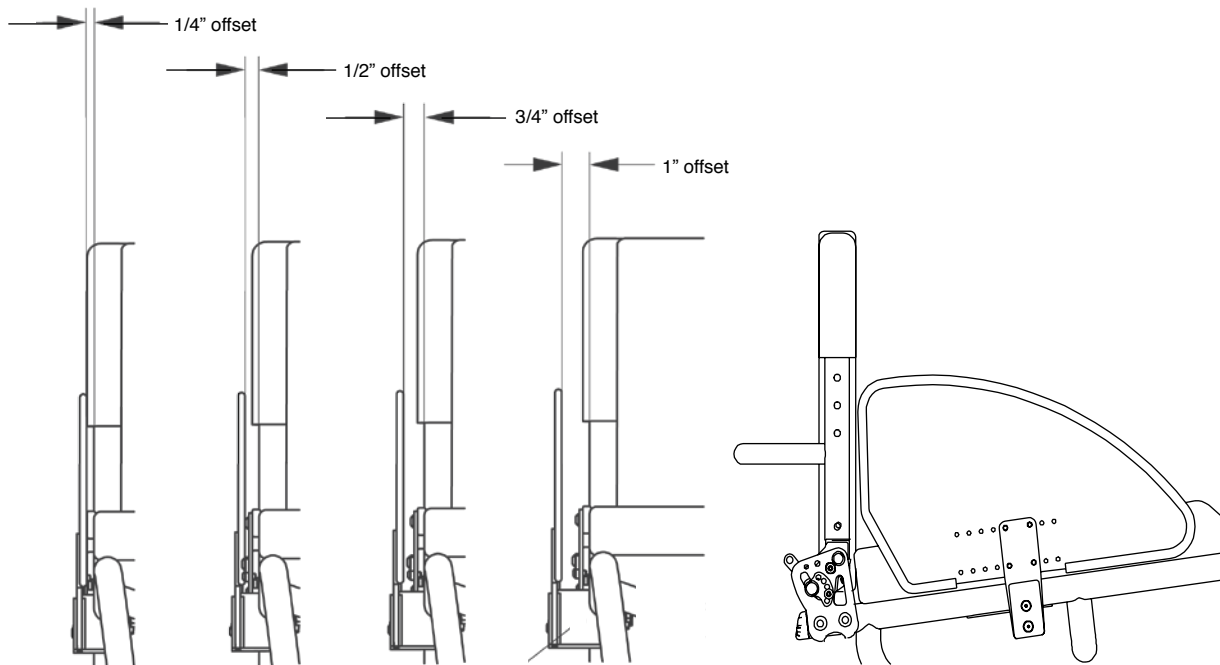
PO Number:

DESIGNS UNLIMITEDPlease Fax This Page with the Order Form to **TiLite Customer Service 866.586.2413 or 509.586.2413****CUSTOM SPACING ON SIDE GUARD**

Part Number: DU100015

Price: \$ 300.00

Please allow an additional 2-3 weeks for delivery



Available On: TiLite TR, TRA, ZR, ZRA, Aero Z, Aero X, 2GX, Aero R, TX, Aero T, and Twist.

Modifications:

- Custom mounting bracket fabricated to increase offset dimension from edge of seat to inside of side guard panel.
- Custom side guard spacing may require rear wheels to be spaced out for clearance of side guard clamp.

SIDE GUARD Panel Offset:

1/4" 1/2" 3/4" 1"

△ **NOTE:** TiLite's warranty does not cover TiLite Designs Unlimited frames and frame components, unless TiLite determines that the frame or frame component was defectively manufactured.

**THE ULTIMATE RIDE.®**

tilite.com
 2701 West Court Street | Pasco, Washington 99301
 509.586.6117 Tel | 800.545.2266 Toll-Free
 509.586.2413 Fax | 866.586.2413 Toll-Free Fax

SPECIAL INSTRUCTIONS

TiLite®DU_0092 REV A

DEALER INFORMATION

Dealer Name:

Customer Name:

Account Number:

PO Number:

DESIGNS UNLIMITED

Please Fax This Page with the Order Form to **TiLite Customer Service 866.586.2413 or 509.586.2413**

CUSTOM HANGER FRONT ANGLE

Part Number: DU100016

Price: \$ 600.00

Please allow an additional 2-3 weeks for delivery

Available On: TiLite 2GX, Aero R, and Aero X.

Modifications:

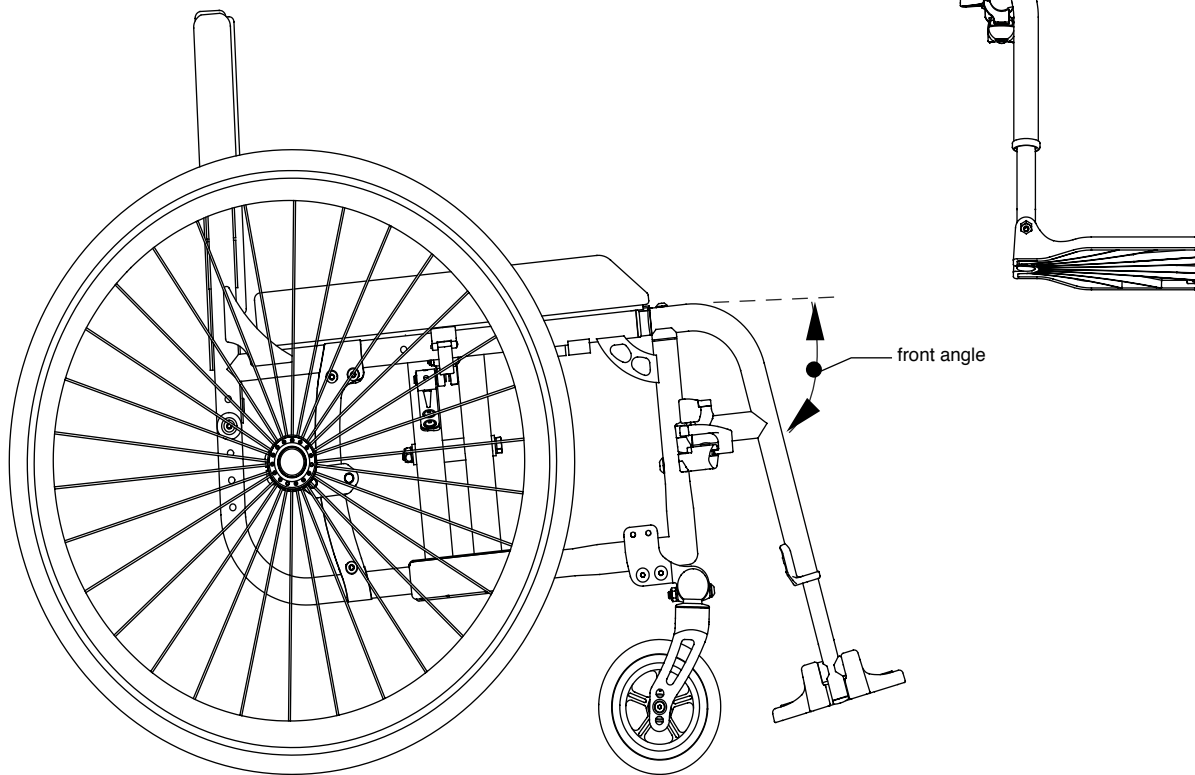
- Hangers are fabricated with non-standard front angle.
- Higher angles may cause clearance problems with some caster combinations.

Swing Away Hangers Front Angle

- 45° 50° 55° 60° 65°
- 70° 75° 80° 85° 90°
- Other: ____ (between 45° and 90°)

Swing Away Hanger Offset Dimension

- No Taper 1" 2" Other: ____



△ **NOTE:** TiLite's warranty does not cover TiLite Designs Unlimited frames and frame components, unless TiLite determines that the frame or frame component was defectively manufactured.



THE ULTIMATE RIDE.®
 tilite.com
 2701 West Court Street | Pasco, Washington 99301
 509.586.6117 Tel | 800.545.2266 Toll-Free
 509.586.2413 Fax | 866.586.2413 Toll-Free Fax

SPECIAL INSTRUCTIONS

TiLite®DU_0092 REV A

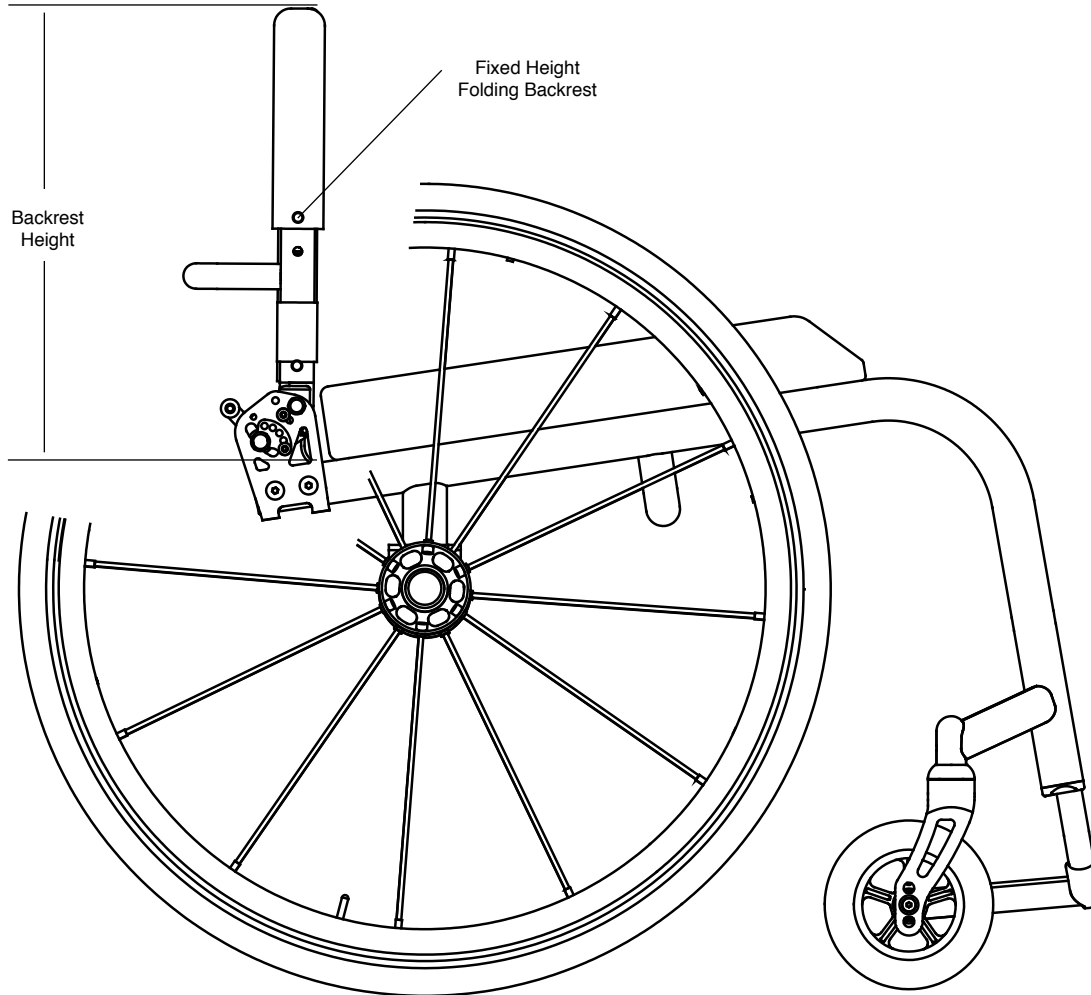
DEALER INFORMATION

Dealer Name:

Customer Name:

Account Number:

PO Number:

DESIGNS UNLIMITEDPlease Fax This Page with the Order Form to **TiLite Customer Service 866.586.2413 or 509.586.2413****CUSTOM FIXED HEIGHT FOLDING BACKREST**

Part Number: DU100017

Price: \$ 360.00

Please allow an additional 2-3 weeks for delivery

Available On: TiLite ZR, ZRA, and Aero Z.**Modifications:**

- Custom backrest fabricated to be at a specified fixed height.

Requirements:

- Choose aluminum or titanium backrest on order from.

Fixed Seat Back Height

- 8" 8-1/2" 9" 9-1/2"
 10" 10-1/2" 11" 11-1/2"
 12" 12-1/2" 13" 13-1/2"
 14" 14-1/2" 15" 15-1/2"
 16" 16-1/2" 17" 17-1/2"
 18" 18-1/2" 19" 19-1/2"
 20" Other: ____

△ **NOTE:** TiLite's warranty does not cover TiLite Designs Unlimited frames and frame components, unless TiLite determines that the frame or frame component was defectively manufactured.

**THE ULTIMATE RIDE.®**

tilite.com
 2701 West Court Street | Pasco, Washington 99301
 509.586.6117 Tel | 800.545.2266 Toll-Free
 509.586.2413 Fax | 866.586.2413 Toll-Free Fax

SPECIAL INSTRUCTIONS

TiLite®DU_0092 REV A

DEALER INFORMATION

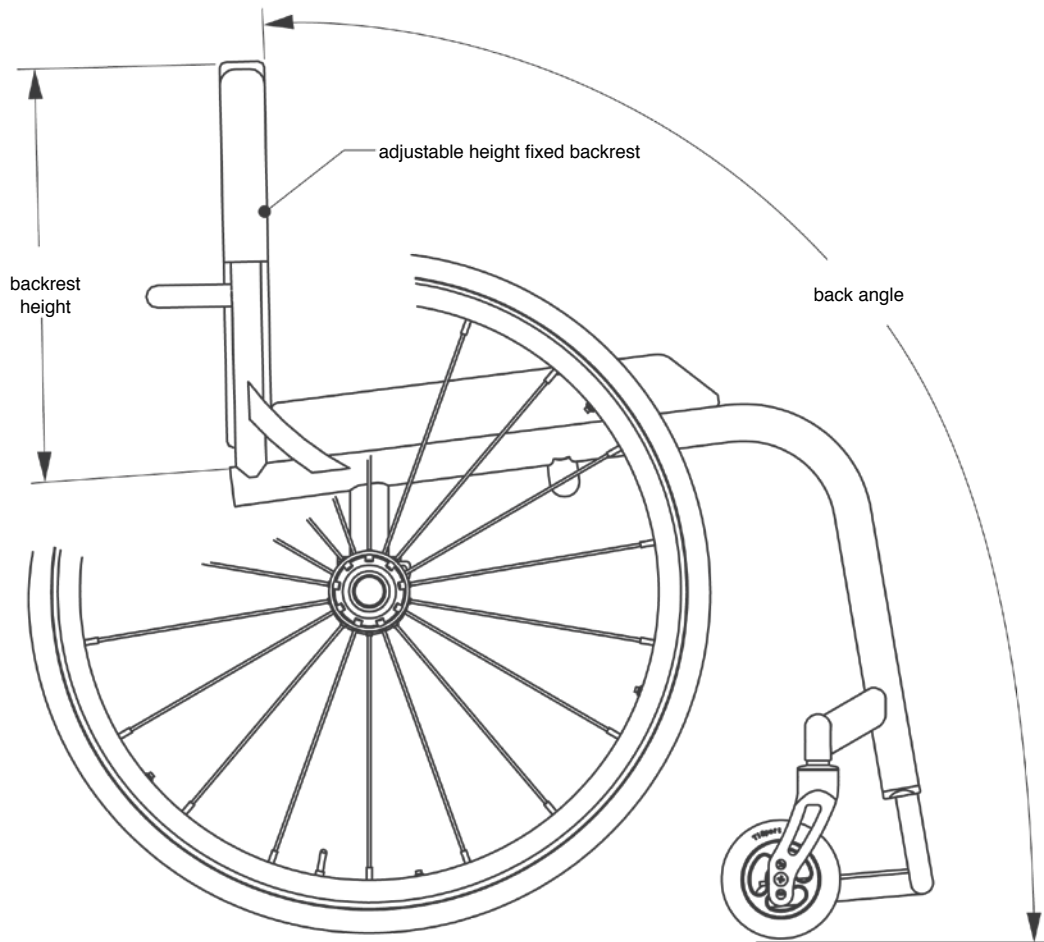
Dealer Name:	Customer Name:
Account Number:	PO Number:

DESIGNS UNLIMITED

Please Fax This Page with the Order Form to **TiLite Customer Service 866.586.2413 or 509.586.2413**

CUSTOM NON-FOLDING ADJUSTABLE HEIGHT BACKREST

Part Number: DU100019	Price: \$ 500.00
Please allow an additional 2-3 weeks for delivery	



Available On: TiLite ZR. (Not available with Transit Tie-Down Option or Wheelchair Transport Bracket Option.)

- Modifications:**
- Non-folding fixed height backrest is fabricated to have custom height adjustment range.
 - Requires tension adjustable by straps seat upholstery.

- Adjustable Seat Back Height w/o Push Handles**
- 8-1/2 - 12-1/2" 9 - 13" 9-1/2 - 13-1/2" 10 - 14"
 - 10-1/2 - 14-1/2" 11 - 15" 11-1/2 - 15-1/2" 12 - 16"
 - 12-1/2 - 16-1/2" 13 - 17" 13-1/2 - 17-1/2" 14 - 18"
 - 14-1/2 - 18-1/2" 15 - 19" 15-1/2 - 19-1/2" 16 - 20"
 - 16-1/2 - 20-1/2"
- Set at: _____ (Use 1/2" increments)

- Adjustable Seat Back Height w/ Push Handles**
- 10-1/2 - 14-1/2" 11 - 14" 11-1/2 - 14-1/2" 12 - 15"
 - 12-1/2 - 15-1/2" 13 - 16" 13-1/2 - 16-1/2" 14 - 17"
 - 14-1/2 - 17-1/2" 15 - 18" 15-1/2 - 18-1/2" 16 - 19"
 - 16-1/2 - 19-1/2" 17 - 20" 17-1/2 - 20-1/2"
- Set at: _____ (Use 1/2" increments)

- Adjustable Seat Back Height w/ Integrated Fold-Down**
- 13 - 15.5" 13-1/2 - 16" 14 - 16.5" 14-1/2 - 17"
 - 15 - 17.5" 15-1/2 - 18" 16 - 18.5" 16-1/2 - 19"
 - 17 - 19.5" 17-1/2 - 20" 18 - 20.5" 18-1/2 - 21"
- Set at: _____ (Use 1/2" increments)

- Back Angle**
- 80° 81° 82° 83° 84° 85° 86° 87°
 - 88° 89° 90° 91° 92° 93° 94° 95°
 - 96° 97° 98° 99° 100° 101°
 - Other: _____

△ **NOTE:** TiLite's warranty does not cover TiLite Designs Unlimited frames and frame components, unless TiLite determines that the frame or frame component was defectively manufactured.



THE ULTIMATE RIDE.®
 tilite.com
 2701 West Court Street | Pasco, Washington 99301
 509.586.6117 Tel | 800.545.2266 Toll-Free
 509.586.2413 Fax | 866.586.2413 Toll-Free Fax

SPECIAL INSTRUCTIONS

TiLite®DU_0092 REV A

DEALER INFORMATION

Dealer Name:

Customer Name:

Account Number:

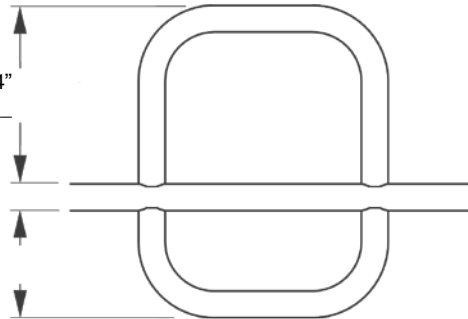
PO Number:

DESIGNS UNLIMITED

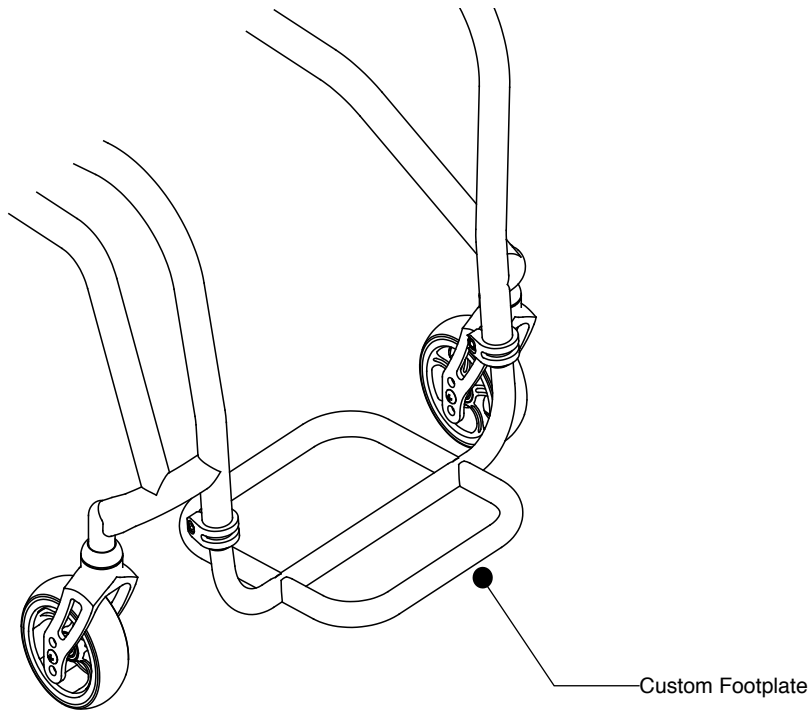
Please Fax This Page with the Order Form to **TiLite Customer Service 866.586.2413 or 509.586.2413**

- Standard: 5-1/4"
- Other: _____

- Standard: 3"
- Other: _____



Front of Footrest



DUAL LOOP FOOTREST

Part Number: DU100022

Price: \$ 500.00

Please allow an additional 2-3 weeks for delivery

Available On: TiLite TR, TRA, ZR, ZRA, Aero T, and Aero Z.

Modifications:

- Footplate is extended beyond the front of the typical footrest.
- A second loop is welded to the front footrest tube.
- Angle-adjustable footplate not available.
- Titanium footloop comes with flat ABS cover.

Fill in dimensions below

△ **NOTE:** TiLite's warranty does not cover TiLite Designs Unlimited frames and frame components, unless TiLite determines that the frame or frame component was defectively manufactured.



THE ULTIMATE RIDE.®
 tilite.com
 2701 West Court Street | Pasco, Washington 99301
 509.586.6117 Tel | 800.545.2266 Toll-Free
 509.586.2413 Fax | 866.586.2413 Toll-Free Fax

SPECIAL INSTRUCTIONS

TiLite®DU_0092 REV A

DEALER INFORMATION

Dealer Name:

Customer Name:

Account Number:

PO Number:

DESIGNS UNLIMITEDPlease Fax This Page with the Order Form to **TiLite Customer Service 866.586.2413 or 509.586.2413****FIXED ALUMINUM SIDE GUARD**

Part Number: DU100023

Price: \$ 360.00

Please allow an additional 2-3 weeks for delivery

Available On: TiLite ZR and ZRA.**Requirements:**

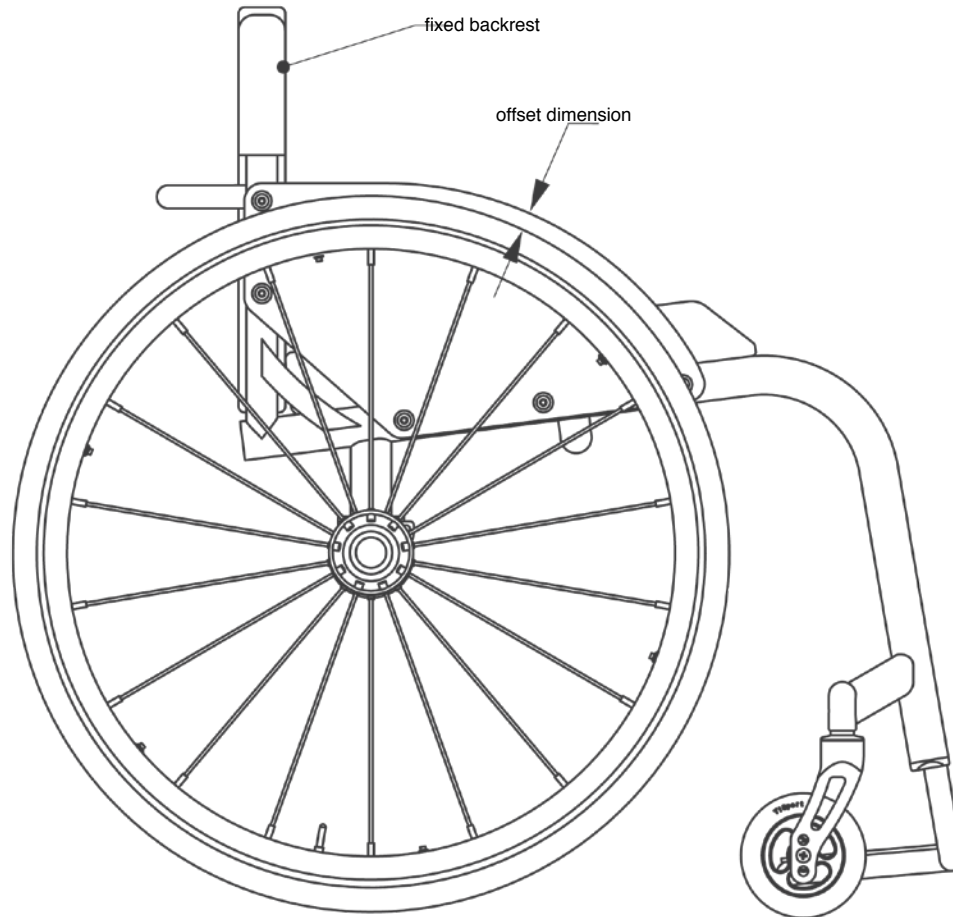
- Fixed Aluminum Side Guards only available with DU100013 or DU100019.

Modifications:

- Custom fixed aluminum side guards fabricated to be non-removable.

Fixed Aluminum Side Guards

- Side Guard Profiled to Height of Tire.
- Side Guard Profile Higher than Tire.
- 1/2" Higher 1" Higher 1-1/2" Higher
- 2" Higher
- Side Guard Profile Lower than Tire.
- 1/2" Lower 1" Lower 1-1/2" Lower
- 2" Lower Other: _____
- Custom Side Guard Shape (sketch below)



△ **NOTE:** TiLite's warranty does not cover TiLite Designs Unlimited frames and frame components, unless TiLite determines that the frame or frame component was defectively manufactured.

**THE ULTIMATE RIDE.®**

tilite.com
 2701 West Court Street | Pasco, Washington 99301
 509.586.6117 Tel | 800.545.2266 Toll-Free
 509.586.2413 Fax | 866.586.2413 Toll-Free Fax

SPECIAL INSTRUCTIONS

TiLite®DU_0092 REV A

DEALER INFORMATION

Dealer Name:

Customer Name:

Account Number:

PO Number:

DESIGNS UNLIMITEDPlease Fax This Page with the Order Form to **TiLite Customer Service 866.586.2413 or 509.586.2413****HEIGHT-ADJUSTABLE FLIP-BACK ARMREST**

Part Number: DU100024

Price: \$ 500.00

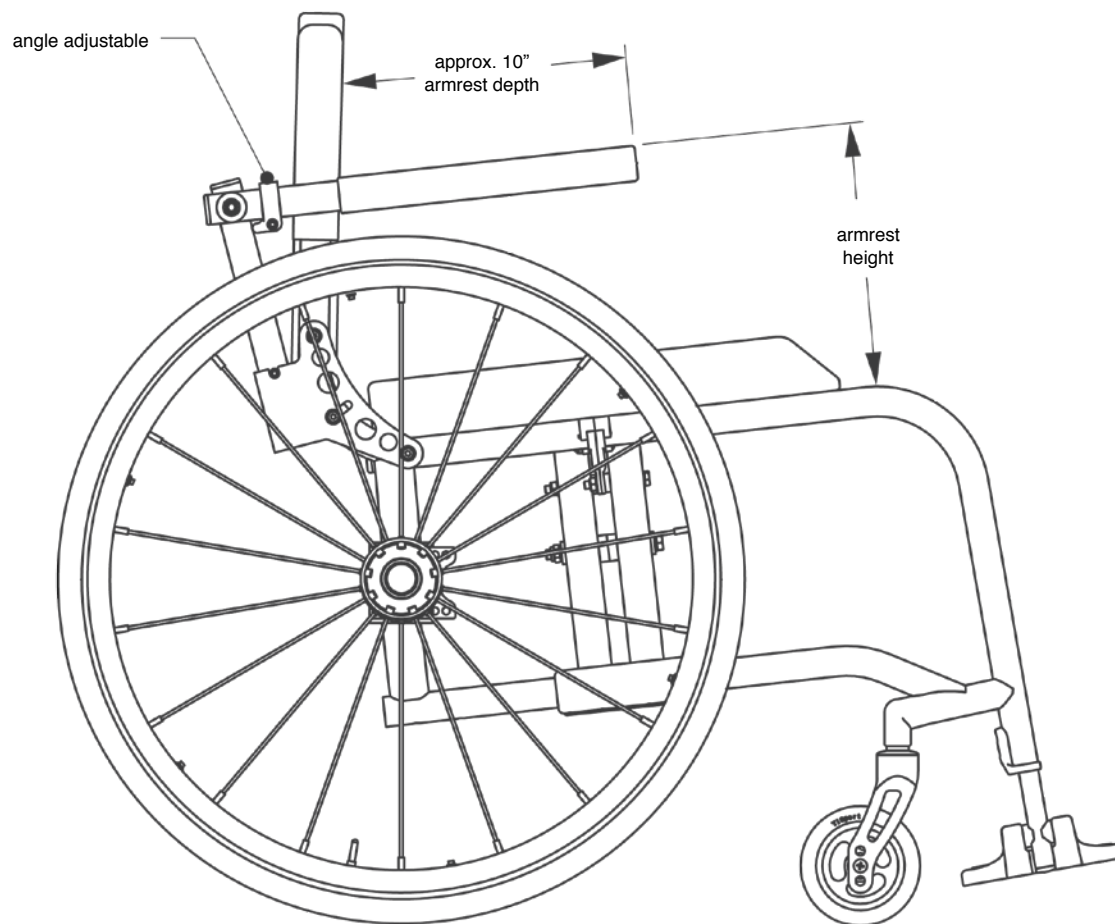
Please allow an additional 2-3 weeks for delivery

Available On: TiLite TX.**Modifications:**

- Custom flip-back armrest fabricated to fit chair.
- Low armrest heights may interfere with the rear wheel.

Flip Back Arm (Height and Angle Adjustable)

- 6 to 9" 7 to 10" 8 to 11" 9 - 12"
 10 to 13" 11 to 14" 12 to 15" 13 - 16"
 Other: ____



△ **NOTE:** TiLite's warranty does not cover TiLite Designs Unlimited frames and frame components, unless TiLite determines that the frame or frame component was defectively manufactured.

**THE ULTIMATE RIDE.®**

tilite.com
 2701 West Court Street | Pasco, Washington 99301
 509.586.6117 Tel | 800.545.2266 Toll-Free
 509.586.2413 Fax | 866.586.2413 Toll-Free Fax

SPECIAL INSTRUCTIONS

TiLite®DU_0092 REV A

DEALER INFORMATION

Dealer Name:

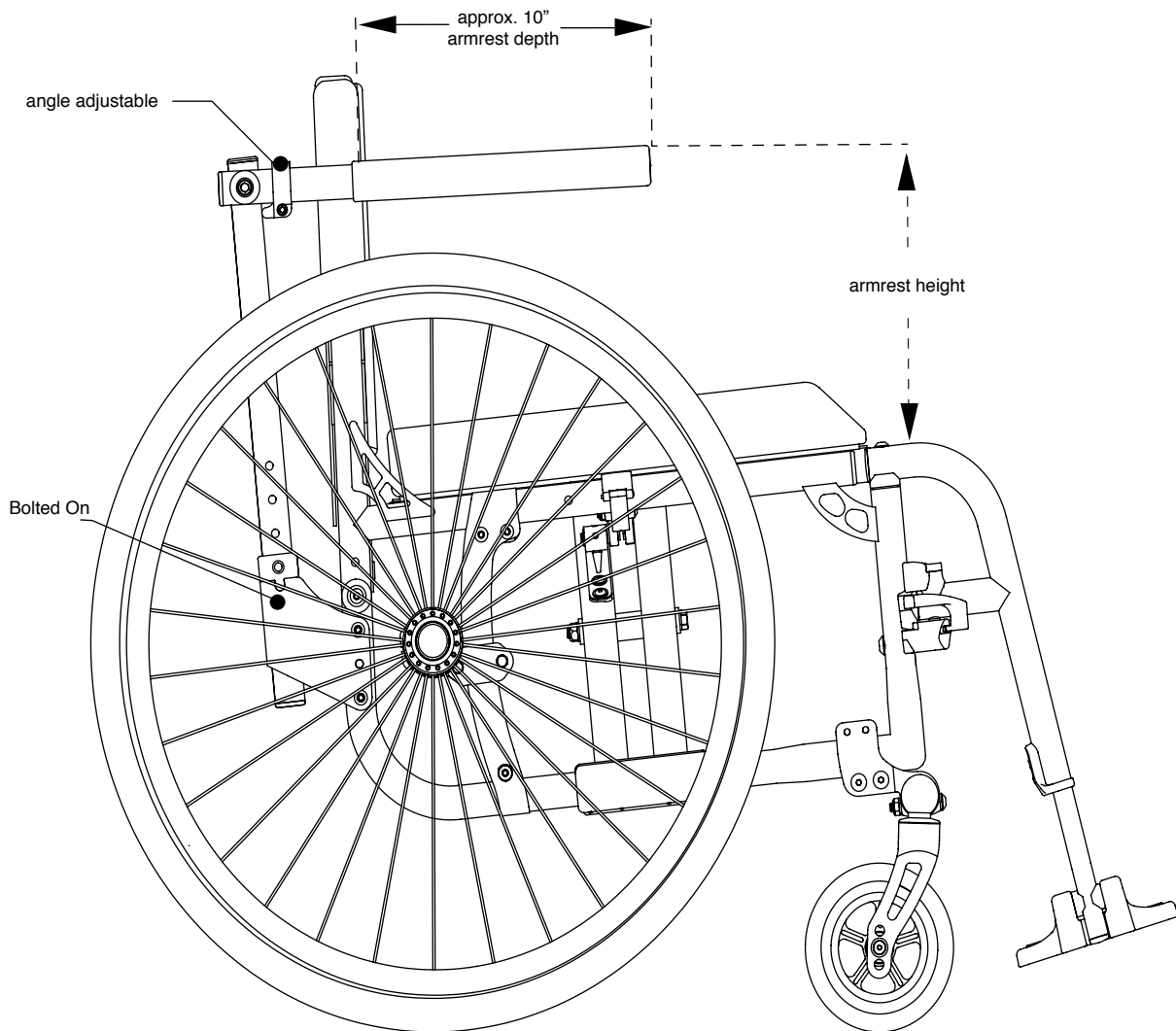
Customer Name:

Account Number:

PO Number:

DESIGNS UNLIMITED

Please Fax This Page with the Order Form to **TiLite Customer Service 866.586.2413 or 509.586.2413**



HEIGHT-ADJUSTABLE FLIP-BACK ARMREST

Part Number: DU100025

Price: \$ 360.00

Please allow an additional 2-3 weeks for delivery

Available On: TiLite Aero X, 2GX, and Aero R.

Modifications:

- Custom flip-back armrest fabricated to fit chair.
- Armrest is not removable.
- Low armrest heights may interfere with the rear wheel.

Flip Back Arm (Height and Angle Adjustable)

- 6 to 9" 7 to 10" 8 to 11" 9 - 12"
- 10 to 13" 11 to 14" 12 to 15" 13 - 16"
- Other: _____

△ **NOTE:** TiLite's warranty does not cover TiLite Designs Unlimited frames and frame components, unless TiLite determines that the frame or frame component was defectively manufactured.



THE ULTIMATE RIDE.®
 tilite.com
 2701 West Court Street | Pasco, Washington 99301
 509.586.6117 Tel | 800.545.2266 Toll-Free
 509.586.2413 Fax | 866.586.2413 Toll-Free Fax

SPECIAL INSTRUCTIONS

TiLite®DU_0092 REV A

DEALER INFORMATION

Dealer Name:

Customer Name:

Account Number:

PO Number:

DESIGNS UNLIMITEDPlease Fax This Page with the Order Form to **TiLite Customer Service 866.586.2413 or 509.586.2413****INWARD TAPERED SEAT BACK, FOLDING ADJUSTABLE HEIGHT**

Part Number: DU100026

Price: \$ 480.00

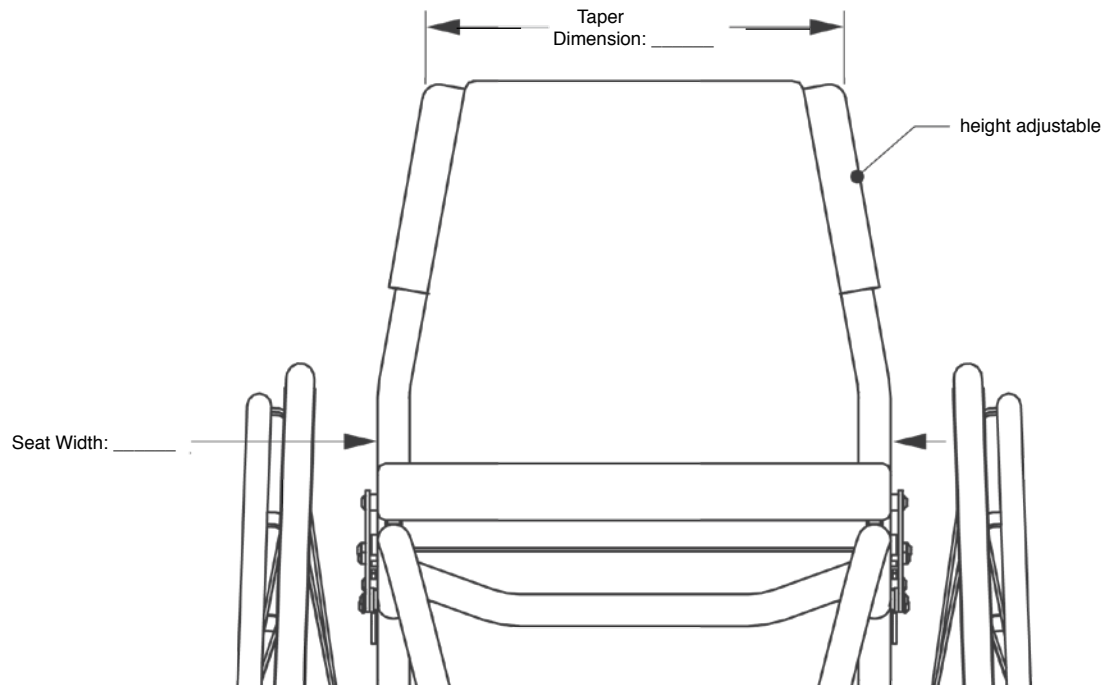
Please allow an additional 2-3 weeks for delivery

Available On: TiLite TR, TRA, ZR, ZRA, Aero R, Aero T and Aero Z.**Modifications:**

- Seat back upright tubes are fabricated to taper inward.
- Taper dimension changes as seat back height is adjusted.
- Taper dimension is set to tallest adjustment height.
- Height of rigidizer bar may vary with the amount of taper and height requested.

Requirements:

- Choose seat back options on order form.

Fill in Seat Width and Taper Dimension.

△ **NOTE:** TiLite's warranty does not cover TiLite Designs Unlimited frames and frame components, unless TiLite determines that the frame or frame component was defectively manufactured.

**THE ULTIMATE RIDE.®**

tilite.com
 2701 West Court Street | Pasco, Washington 99301
 509.586.6117 Tel | 800.545.2266 Toll-Free
 509.586.2413 Fax | 866.586.2413 Toll-Free Fax

SPECIAL INSTRUCTIONS

TiLite®DU_0092 REV A

DEALER INFORMATION

Dealer Name:

Customer Name:

Account Number:

PO Number:

DESIGNS UNLIMITED

Please Fax This Page with the Order Form to **TiLite Customer Service 866.586.2413 or 509.586.2413**

INWARD TAPERED SEAT BACK, FOLDING FIXED HEIGHT

Part Number: DU100027

Price: \$ 360.00

Please allow an additional 2-3 weeks for delivery

Available On: TiLite TR, TRA, ZR, ZRA, Aero R, Aero T and Aero Z.

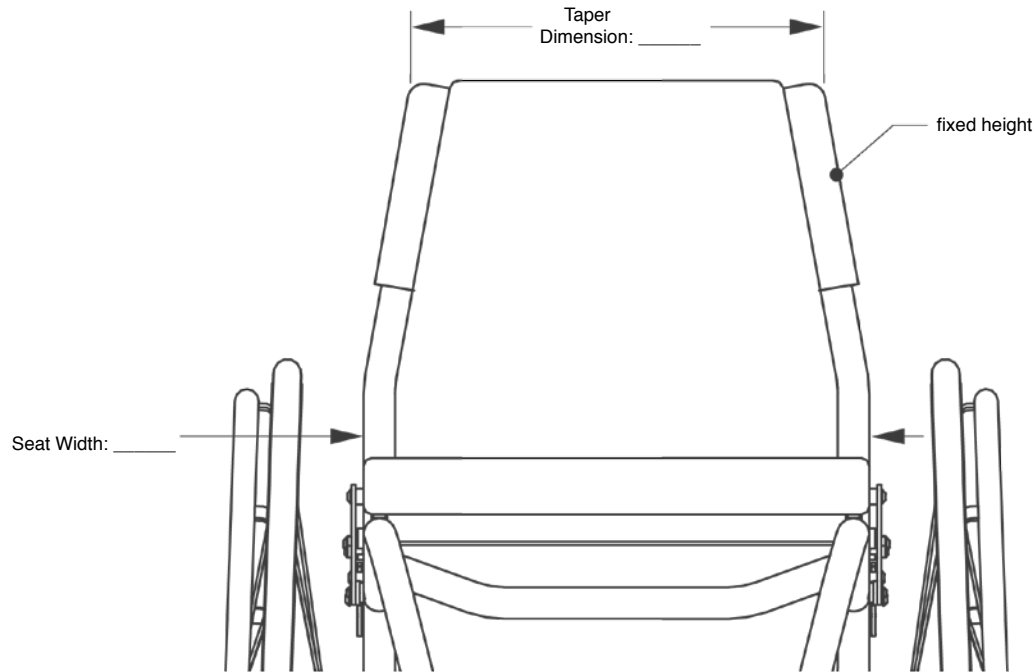
Modifications:

- Seat back upright tubes are fabricated to taper inward.
- Height of rigidizer bar may vary with the amount of taper and height requested.

Requirements:

- Choose seat back options on order form.

Fill in Seat Width and Taper Dimension.



△ **NOTE:** TiLite's warranty does not cover TiLite Designs Unlimited frames and frame components, unless TiLite determines that the frame or frame component was defectively manufactured.



THE ULTIMATE RIDE.®
 tilite.com
 2701 West Court Street | Pasco, Washington 99301
 509.586.6117 Tel | 800.545.2266 Toll-Free
 509.586.2413 Fax | 866.586.2413 Toll-Free Fax

SPECIAL INSTRUCTIONS

TiLite®DU_0092 REV A

DEALER INFORMATION

Dealer Name: _____

Customer Name: _____

Account Number: _____

PO Number: _____

DESIGNS UNLIMITEDPlease Fax This Page with the Order Form to **TiLite Customer Service 866.586.2413 or 509.586.2413****OUTWARD TAPERED SEAT BACK, FOLDING ADJUSTABLE HEIGHT**

Part Number: DU100028

Price: \$ 480.00

Please allow an additional 2-3 weeks for delivery

Available On: TiLite TR, TRA, ZR, ZRA, Aero R, Aero T, and Aero Z.**Modifications:**

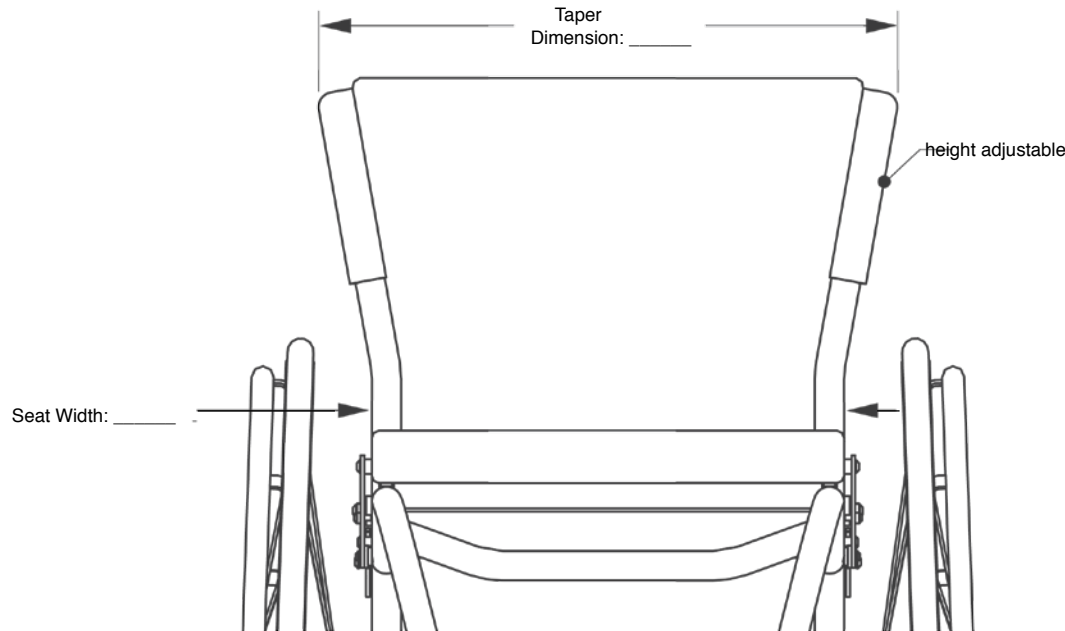
- Seat back upright tubes are fabricated to taper outward.
- Taper dimension changes as seat back height is adjusted.
- Taper dimension is set to tallest adjustment height.
- Height of rigidizer bar may vary with the amount of taper and height requested.

Requirements:

- Choose seat back options on order form.

Notes:

- Outward tapered seat back may interfere with armrests.

Fill in Seat Width and Taper Dimension.

△ **NOTE:** TiLite's warranty does not cover TiLite Designs Unlimited frames and frame components, unless TiLite determines that the frame or frame component was defectively manufactured.

**THE ULTIMATE RIDE.®**

tilite.com
 2701 West Court Street | Pasco, Washington 99301
 509.586.6117 Tel | 800.545.2266 Toll-Free
 509.586.2413 Fax | 866.586.2413 Toll-Free Fax

SPECIAL INSTRUCTIONS

TiLite®DU_0092 REV A

DEALER INFORMATION

Dealer Name:

Customer Name:

Account Number:

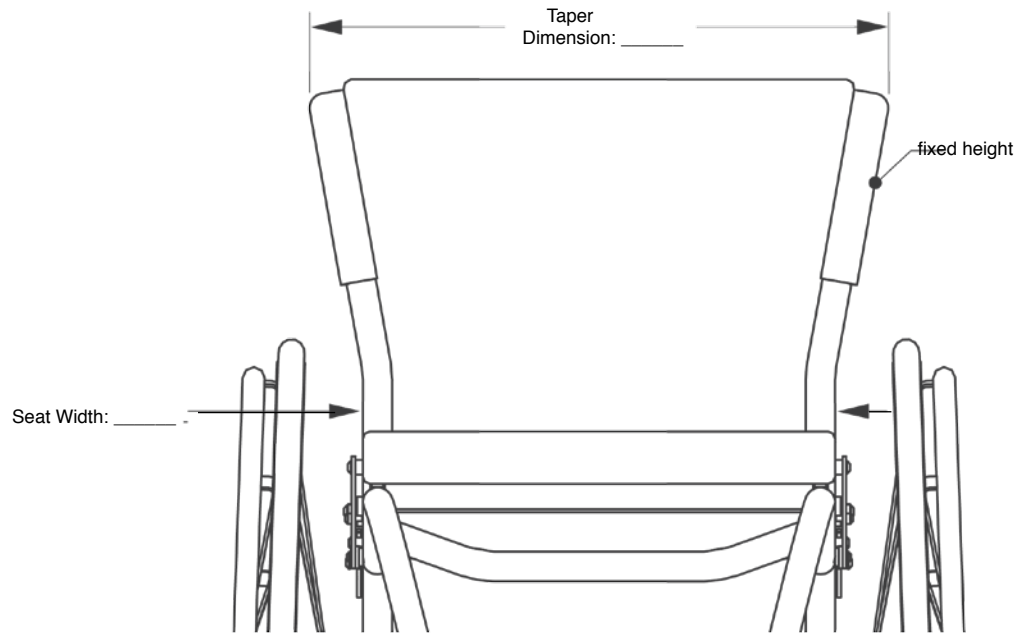
PO Number:

DESIGNS UNLIMITEDPlease Fax This Page with the Order Form to **TiLite Customer Service 866.586.2413 or 509.586.2413****OUTWARD TAPERED SEAT BACK, FOLDING FIXED HEIGHT**

Part Number: DU100029

Price: \$ 360.00

Please allow an additional 2-3 weeks for delivery

**Available On:** TiLite TR, TRA, ZR, ZRA, Aero R, Aero T, and Aero Z.**Modifications:**

- Seat back upright tubes are fabricated to taper outward.
- Height of rigidizer bar may vary with the amount of taper and height requested.

Requirements:

- Choose seat back options on order form.

Notes:

- Outward tapered seat back may interfere with armrests.

Fill in Seat Width and Taper Dimension.

△ **NOTE:** TiLite's warranty does not cover TiLite Designs Unlimited frames and frame components, unless TiLite determines that the frame or frame component was defectively manufactured.

**THE ULTIMATE RIDE.®**

tilite.com

2701 West Court Street | Pasco, Washington 99301

509.586.6117 Tel | 800.545.2266 Toll-Free

509.586.2413 Fax | 866.586.2413 Toll-Free Fax

SPECIAL INSTRUCTIONS

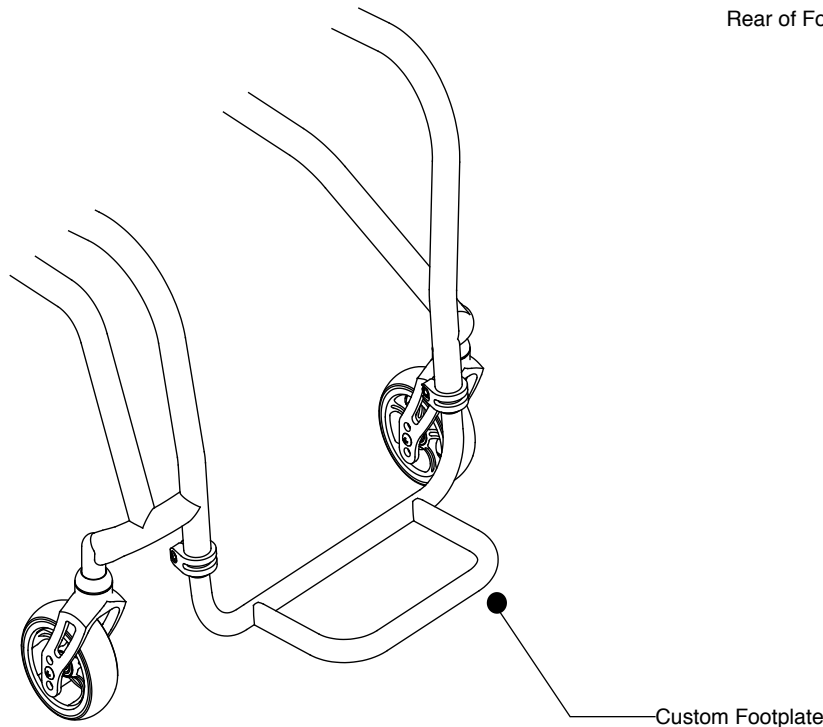
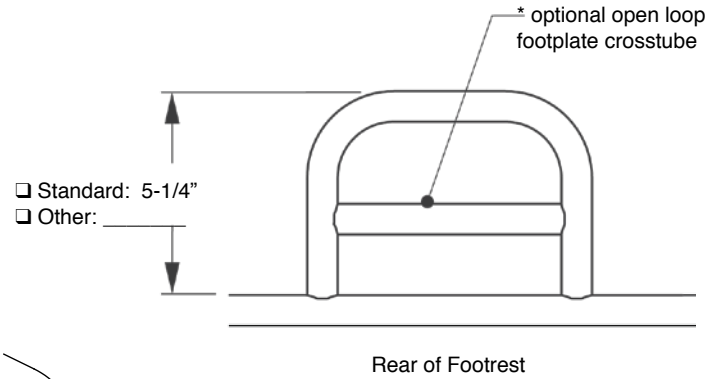
TiLite®DU_0092 REV A

DEALER INFORMATION

Dealer Name:	Customer Name:
Account Number:	PO Number:

DESIGNS UNLIMITED

Please Fax This Page with the Order Form to **TiLite Customer Service 866.586.2413 or 509.586.2413**



FORWARD MOUNTED FOOTPLATE

Part Number: DU100030	Price: \$ 150.00
Please allow an additional week for delivery	

Available On: TiLite TR, TRA, ZR, ZRA, Aero T, and Aero Z.

Modifications:

- Frame geometry and dimensions are adjusted to compensate for forward mounted footplate.
- Footplate is reverse mounted to project out in front of the front frame tubes.
- Can be Angle Adjustable (no charge), Titanium w/Flat ABS cover, or Titanium Open Loop.

Notes:

- Depth dimension not available on angle adjustable footplate.

Fill in Seat Width and Taper Dimension.

△ **NOTE:** TiLite's warranty does not cover TiLite Designs Unlimited frames and frame components, unless TiLite determines that the frame or frame component was defectively manufactured.



THE ULTIMATE RIDE.®
 tilite.com
 2701 West Court Street | Pasco, Washington 99301
 509.586.6117 Tel | 800.545.2266 Toll-Free
 509.586.2413 Fax | 866.586.2413 Toll-Free Fax

SPECIAL INSTRUCTIONS

TiLite®DU_0092 REV A

DEALER INFORMATION

Dealer Name:

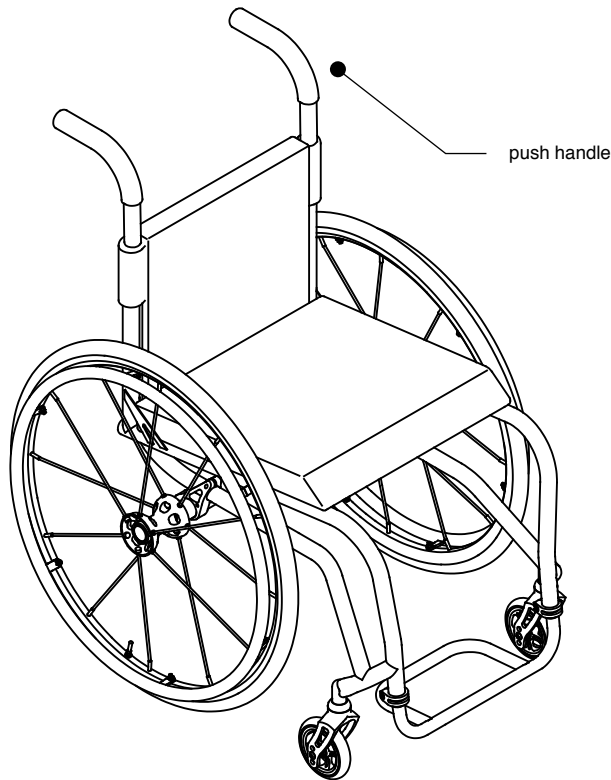
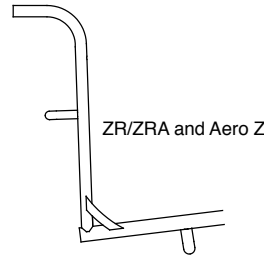
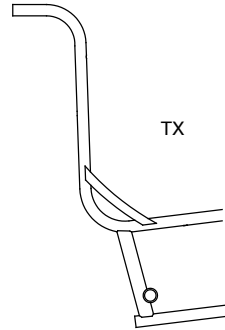
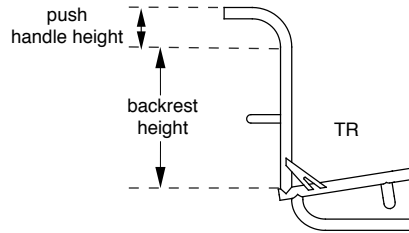
Customer Name:

Account Number:

PO Number:

DESIGNS UNLIMITED

Please Fax This Page with the Order Form to **TiLite Customer Service 866.586.2413 or 509.586.2413**



FIXED HEIGHT PUSH HANDLES ON BACKREST

Part Number: DU100031

Price: \$ 400.00

Please allow an additional 2-3 weeks for delivery

Available On: TiLite TR, ZR and TX. (Not available with Transit Tie-Down Option or Wheelchair Transport Bracket Option.)

Modifications:

- Must be a fixed non-folding backrest with a fixed seat back height.
- Frame upright tube is extended past the backrest upholstery and shaped in to push handles.

For TiLite TR, and ZR. (Backrest height on the ZR Series 2 or TR Series 3 cannot exceed 18". There is a 265 lbs. Weight Limit for ZR. TR is 250 lbs.)

Non-Folding, Fixed Height Titanium Seat Back

- 5" 5-1/2" 6" 6-1/2" 7" 7-1/2"
- 8" 8-1/2" 9" 9-1/2" 10" 10-1/2"
- 11" 11-1/2" 12" 12-1/2" 13" 13-1/2"
- 14" 14-1/2" 15" 15-1/2" 16" 16-1/2"
- 17" 17-1/2" 18" 18-1/2" 19" 19-1/2"
- 20"

For TiLite TX

Fixed Height Titanium Seat Back

- 8" 8-1/2" 9" 9-1/2" 10" 10-1/2"
- 11" 11-1/2" 12" 12-1/2" 13" 13-1/2"
- 14" 14-1/2" 15" 15-1/2" 16" 16-1/2"
- 17" 17-1/2" 18" 18-1/2" 19" 19-1/2"
- 20"

Push Handle Height (Must be at least 3-3/4")

- 3-3/4" (Standard) Other: _____

△ **NOTE:** TiLite's warranty does not cover TiLite Designs Unlimited frames and frame components, unless TiLite determines that the frame or frame component was defectively manufactured.



THE ULTIMATE RIDE.®
 tilite.com
 2701 West Court Street | Pasco, Washington 99301
 509.586.6117 Tel | 800.545.2266 Toll-Free
 509.586.2413 Fax | 866.586.2413 Toll-Free Fax

SPECIAL INSTRUCTIONS

TiLite®DU_0092 REV A

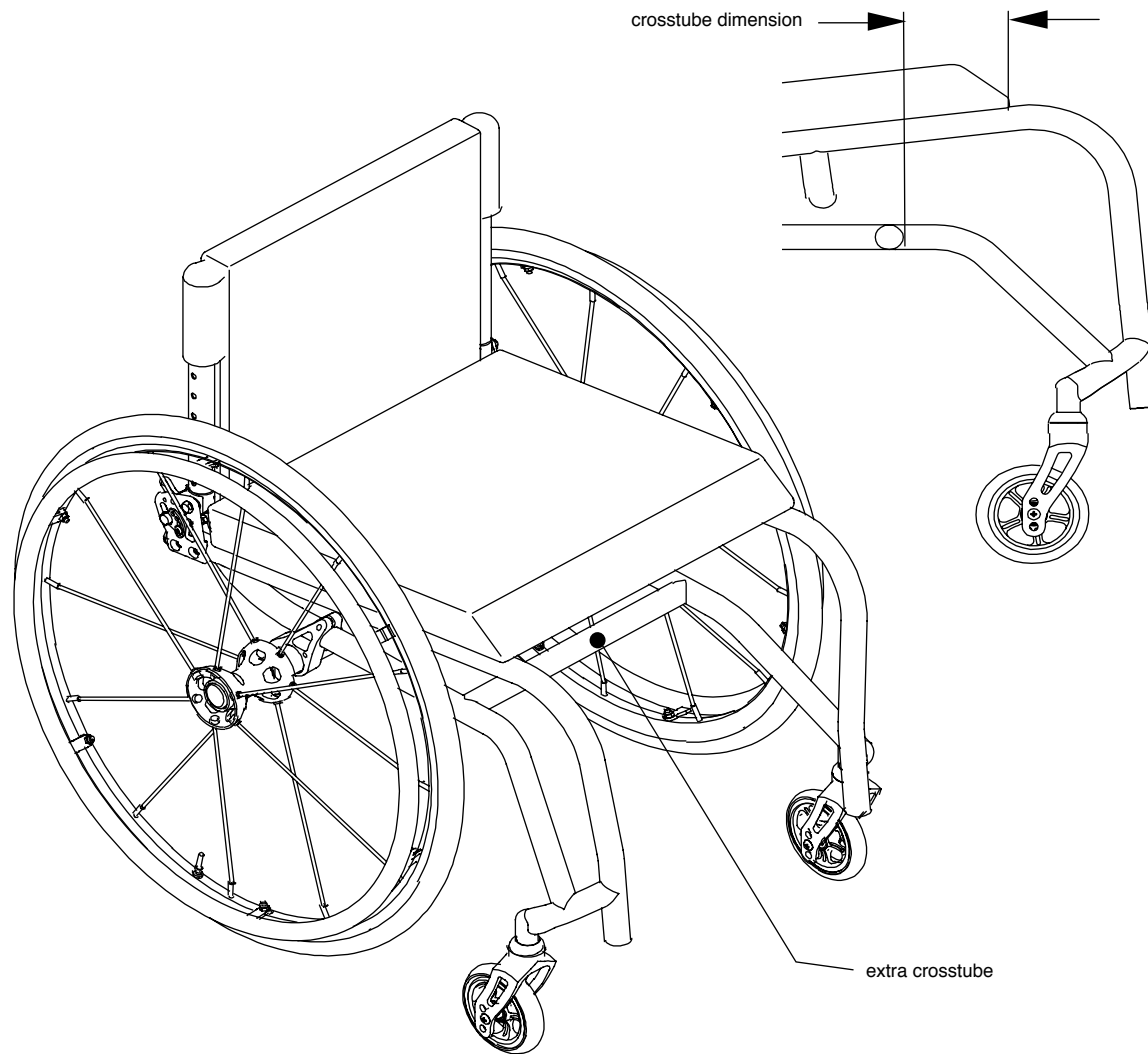
DEALER INFORMATION

Dealer Name:

Customer Name:

Account Number:

PO Number:

DESIGNS UNLIMITEDPlease Fax This Page with the Order Form to **TiLite Customer Service 866.586.2413 or 509.586.2413****NO FOOTPLATES**

Part Number: DU100032

Price: \$ 360.00

Please allow an additional 2-3 weeks for delivery

Available On: TiLite TR, TRA and Aero T.**Modifications:**

- Footrest tubes are removed for amputee users or to make room for foot propeling the chair.
- Open ends of frame tubes are plugged.
- An extra crosstube is welded to the lower frame tubes.

Crosstube Placement Dimension:
 * 4" (Standard) Other: _____

* Standard dimension may change depending on seat depth, front angle, and caster size.

Does rider foot propel? _____

△ **NOTE:** TiLite's warranty does not cover TiLite Designs Unlimited frames and frame components, unless TiLite determines that the frame or frame component was defectively manufactured.

**THE ULTIMATE RIDE.®**

tilite.com
 2701 West Court Street | Pasco, Washington 99301
 509.586.6117 Tel | 800.545.2266 Toll-Free
 509.586.2413 Fax | 866.586.2413 Toll-Free Fax

SPECIAL INSTRUCTIONS

TiLite®DU_0092 REV A

DEALER INFORMATION

Dealer Name:

Customer Name:

Account Number:

PO Number:

DESIGNS UNLIMITEDPlease Fax This Page with the Order Form to **TiLite Customer Service 866.586.2413 or 509.586.2413****ONE PIECE FLIP-UP FOOTPLATE**

Part Number: DU100035

Price: \$ 500.00

Please allow an additional 2-3 weeks for delivery

Available On: TiLite TR, TRA and Aero T.**Modifications:**

- An extra crosstube is welded to the lower frame tubes.
- Angle adjustable footplate only.
- Custom one-piece flip-up footplate assembly installed on chair.

Angle Adjustable One Piece Flip-Up Footplate

Flip-up footplate pivot on:

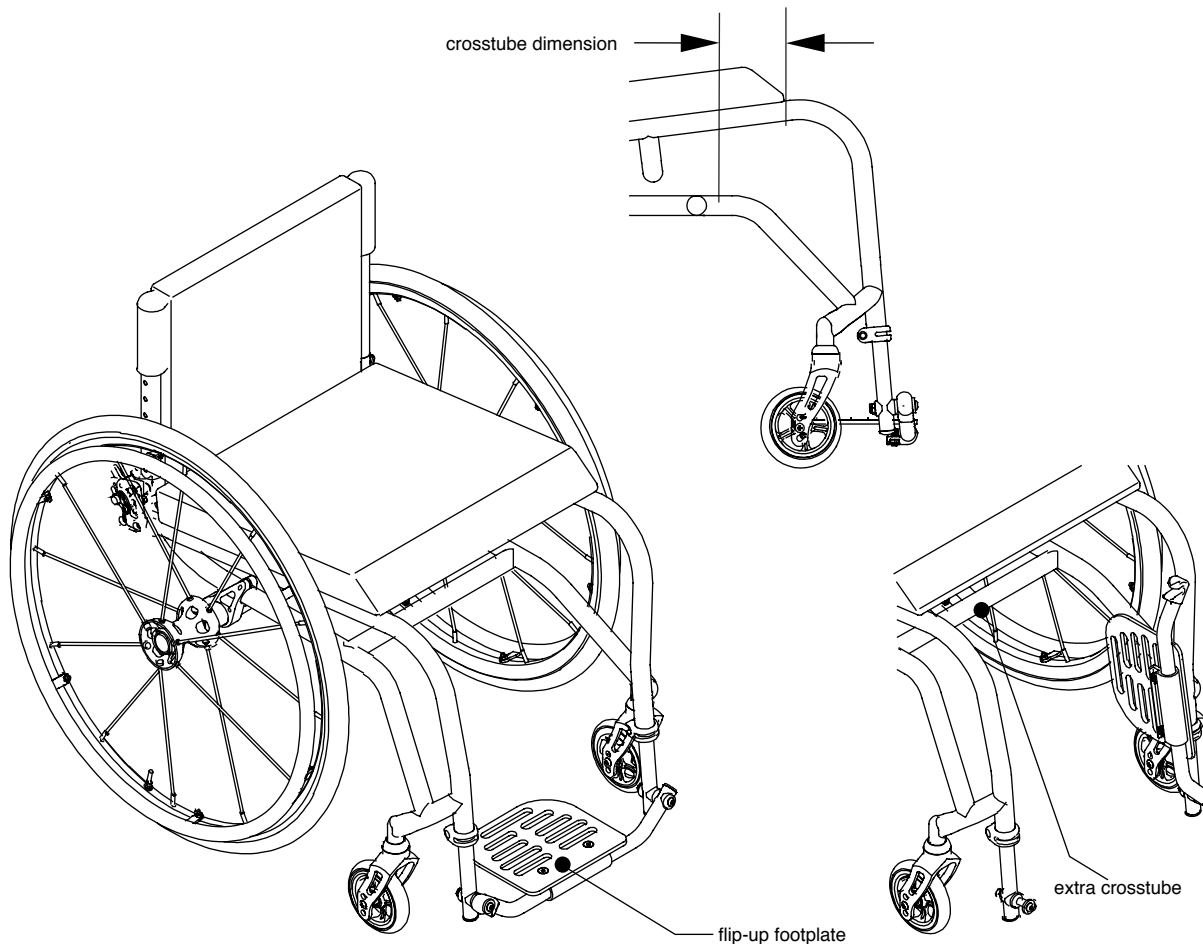
- Right Left

Crosstube Placement Dimension:

- * 4" (Standard) Other: _____

* Standard dimension may change depending on seat depth, front angle, and caster size.

Does rider foot propel? _____



△ **NOTE:** TiLite's warranty does not cover TiLite Designs Unlimited frames and frame components, unless TiLite determines that the frame or frame component was defectively manufactured.

**THE ULTIMATE RIDE.®**

tilite.com
 2701 West Court Street | Pasco, Washington 99301
 509.586.6117 Tel | 800.545.2266 Toll-Free
 509.586.2413 Fax | 866.586.2413 Toll-Free Fax

SPECIAL INSTRUCTIONS

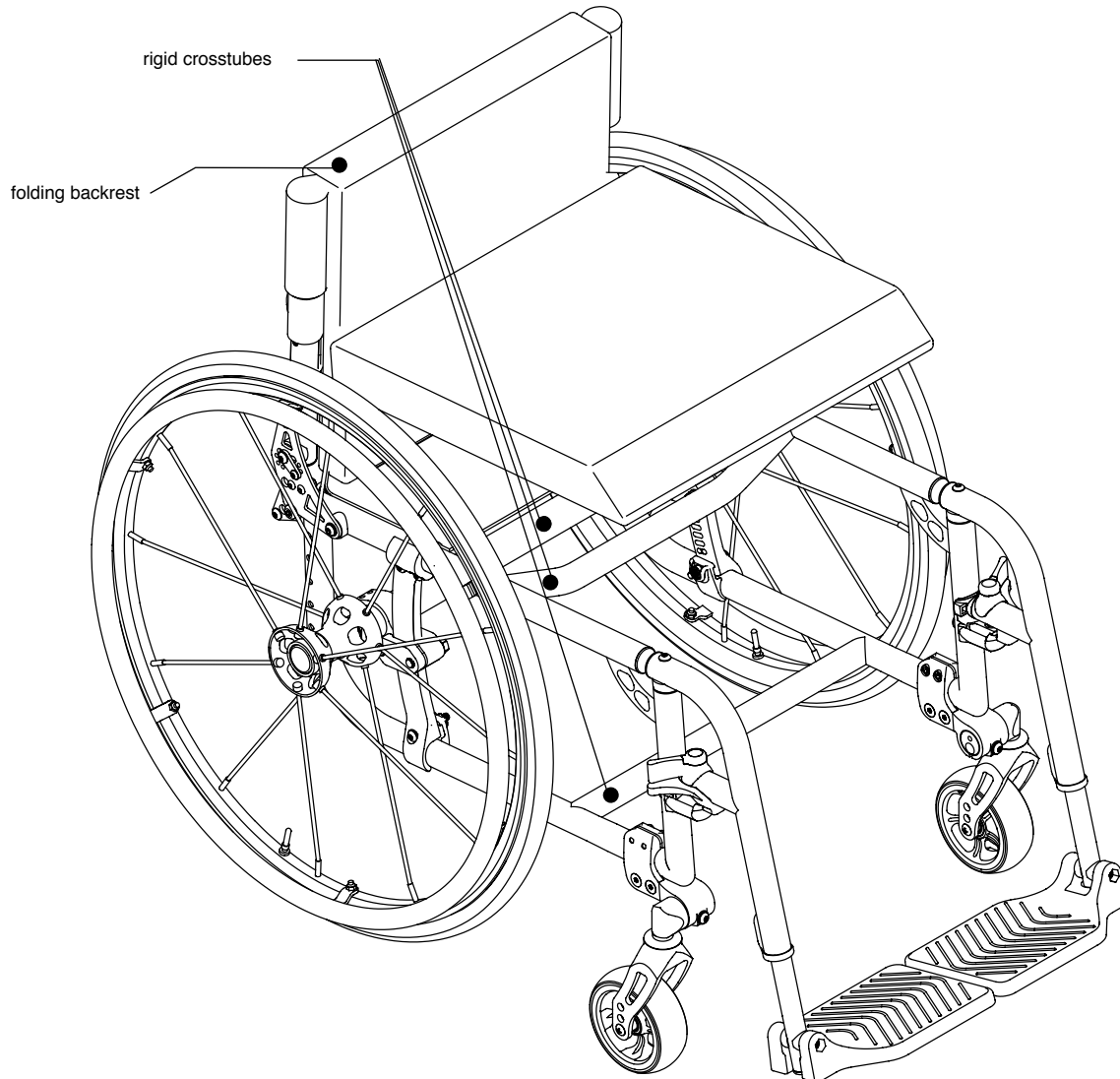
TiLite®DU_0092 REV A

DEALER INFORMATION

Dealer Name:	Customer Name:
Account Number:	PO Number:

DESIGNS UNLIMITED

Please Fax This Page with the Order Form to **TiLite Customer Service 866.586.2413 or 509.586.2413**



RIGID FRAME WITH SWINGAWAY HANGERS

Part Number: DU100037	Price: \$ 1200.00
Please allow an additional 2-3 weeks for delivery	

Available On: TiLite 2GX.

Modifications:

- Rigid style folding backrest.
- Rigid cross tubes welded between sideframes.

Folding, Adjustable Height Seat Back

- 8.5" - 12.5" 12.5" - 16.5" 16.5" - 20.5"

Set at: _____ (use 1/2" increments)

- Aluminum w/Black Aluminum TiShaft Back Release Bar....**STD**
- Bolt-On Push Handles.....**\$175**
- Bolt-On Height-Adjustable Push Handles.....**\$295**
- Titanium w/Titanium TiShaft Back Release Bar.....**\$150**

Folding, Adjustable Height Seat Back with Push Handles Integrated on Back Post

- 10.5" - 12.5" 13.5" - 16.5" 17.5" - 20.5"

Set at: _____ (use 1/2" increments)

- Aluminum w/Black Aluminum TiShaft Back Release Bar.... **\$85**
- Titanium w/Titanium TiShaft Back Release Bar..... **\$235**
- 4" Deep Backrest Rigidizer Bar**..... **NCO**

Folding, Adjustable Height Seat Back with Fold Down Push Handles on Back Post. (Requires Tension Adjustable by Straps Back Upholstery.)

- 12.5" - 14.5" 14.5" - 19" 18.5" - 21"

Set at: _____ (use 1/2" increments)

- Aluminum w/Black Aluminum TiShaft Back Release Bar.... **\$85**
- Titanium w/Titanium TiShaft Back Release Bar..... **\$235**
- 4" Deep Backrest Rigidizer Bar**..... **NCO**

Folding Back Angle

- 80° 83° 86° 89° 92° 95° 98° 101°

△ **NOTE:** TiLite's warranty does not cover TiLite Designs Unlimited frames and frame components, unless TiLite determines that the frame or frame component was defectively manufactured.



THE ULTIMATE RIDE.®
 tilite.com
 2701 West Court Street | Pasco, Washington 99301
 509.586.6117 Tel | 800.545.2266 Toll-Free
 509.586.2413 Fax | 866.586.2413 Toll-Free Fax

SPECIAL INSTRUCTIONS

TiLite®DU_0092 REV A

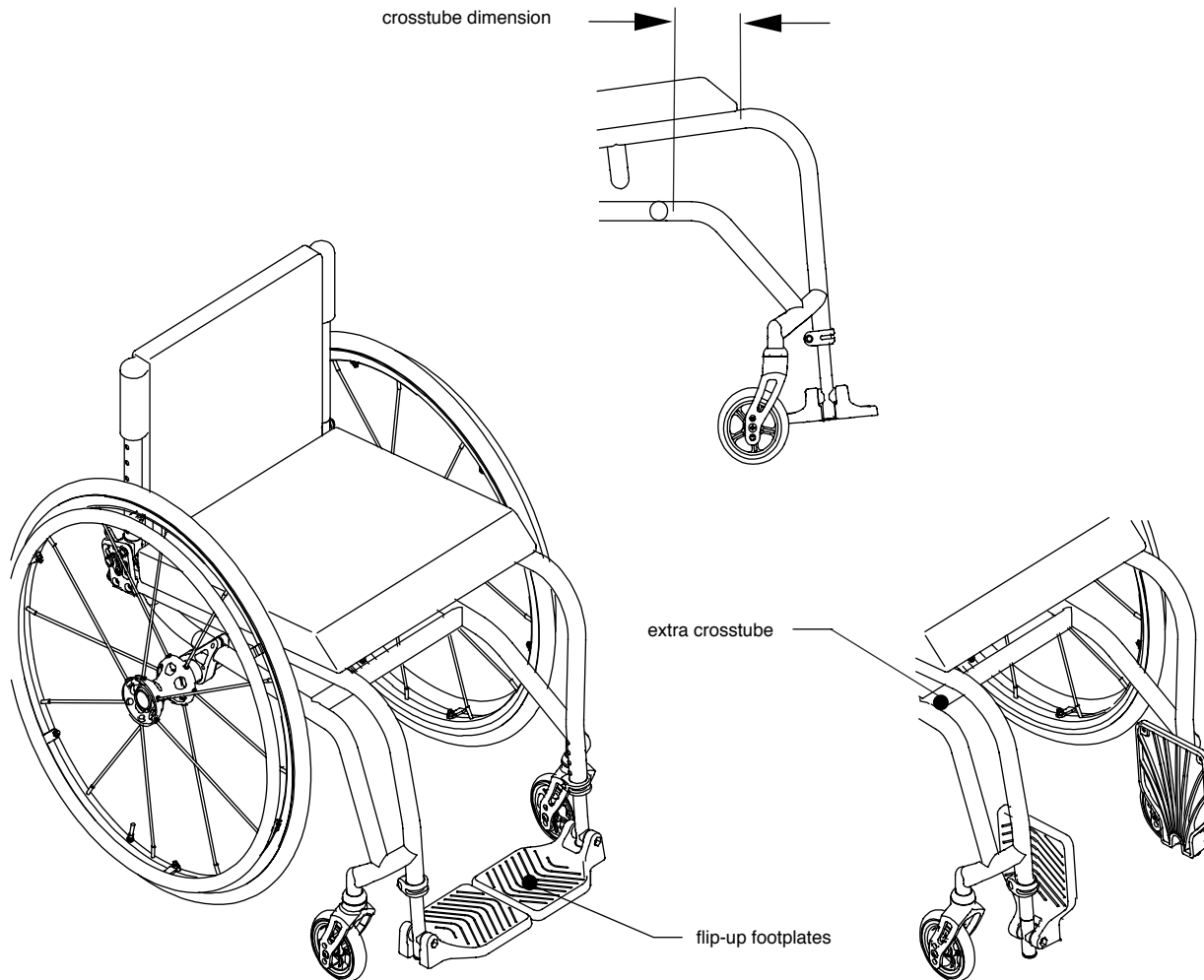
DEALER INFORMATION

Dealer Name:

Customer Name:

Account Number:

PO Number:

DESIGNS UNLIMITEDPlease Fax This Page with the Order Form to **TiLite Customer Service 866.586.2413 or 509.586.2413****TWO PIECE FLIP-UP FOOTPLATE**

Part Number: DU100040

Price: \$ 480.00

Please allow an additional 2-3 weeks for delivery

Available On: TiLite TR, TRA, and Aero T.**Modifications:**

- An extra crosstube is welded to the lower frame tubes.

Footrests

- Standard Flip-up
- Depth Adjustable Flip-up
- Depth and Angle Adjustable Flip-up
- Angle Adjustable Flip-up

Crosstube Placement Dimension:

- * 4" (Standard)
- Other: _____

* Standard dimension may change depending on seat depth, front angle, and caster size.

Does rider foot propel? _____

△ **NOTE:** TiLite's warranty does not cover TiLite Designs Unlimited frames and frame components, unless TiLite determines that the frame or frame component was defectively manufactured.

**THE ULTIMATE RIDE.®**

tilite.com

2701 West Court Street | Pasco, Washington 99301

509.586.6117 Tel | 800.545.2266 Toll-Free

509.586.2413 Fax | 866.586.2413 Toll-Free Fax

SPECIAL INSTRUCTIONS

TiLite®DU_0092 REV A

DEALER INFORMATION

Dealer Name:

Customer Name:

Account Number:

PO Number:

DESIGNS UNLIMITEDPlease Fax This Page with the Order Form to **TiLite Customer Service 866.586.2413 or 509.586.2413****TIP BACK TUBES**

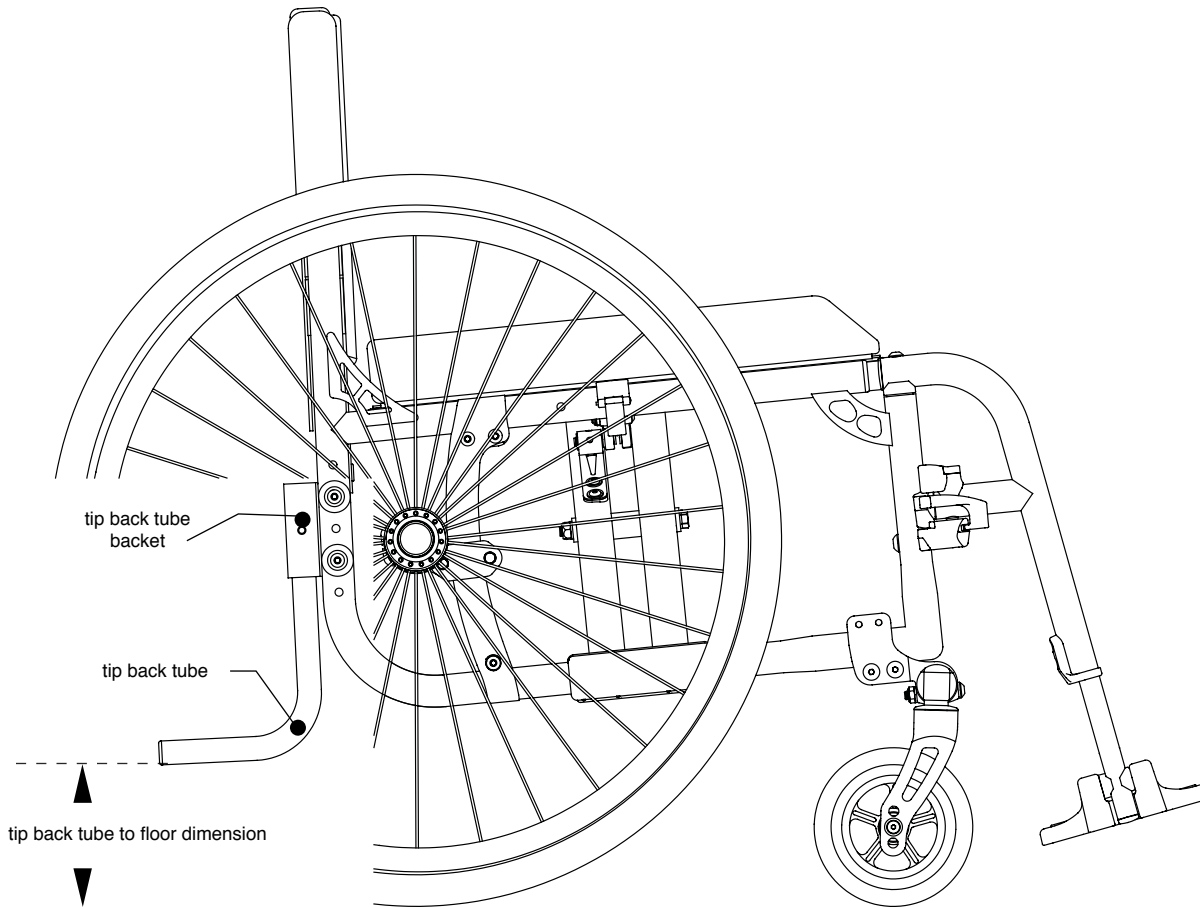
Part Number: DU100043

Price: \$ 500.00

Please allow an additional 2-3 weeks for delivery

Available On: TiLite Aero X, Aero R and 2GX.**Modifications:**

- Custom mounting bracket and custom fabricated tip back tubes attached to rear of frame.
- Tubes mounted on both sides of wheelchair frame.

Tip back tubes to floor dimension:
 4" (Standard) Other: ____


△ **NOTE:** TiLite's warranty does not cover TiLite Designs Unlimited frames and frame components, unless TiLite determines that the frame or frame component was defectively manufactured.

**THE ULTIMATE RIDE.®**

tilite.com
 2701 West Court Street | Pasco, Washington 99301
 509.586.6117 Tel | 800.545.2266 Toll-Free
 509.586.2413 Fax | 866.586.2413 Toll-Free Fax

SPECIAL INSTRUCTIONS

TiLite®DU_0092 REV A

DEALER INFORMATION

Dealer Name:

Customer Name:

Account Number:

PO Number:

DESIGNS UNLIMITEDPlease Fax This Page with the Order Form to **TiLite Customer Service 866.586.2413 or 509.586.2413****CUSTOM FRONT ANGLE**

Part Number: DU100046

Price: \$ 200.00

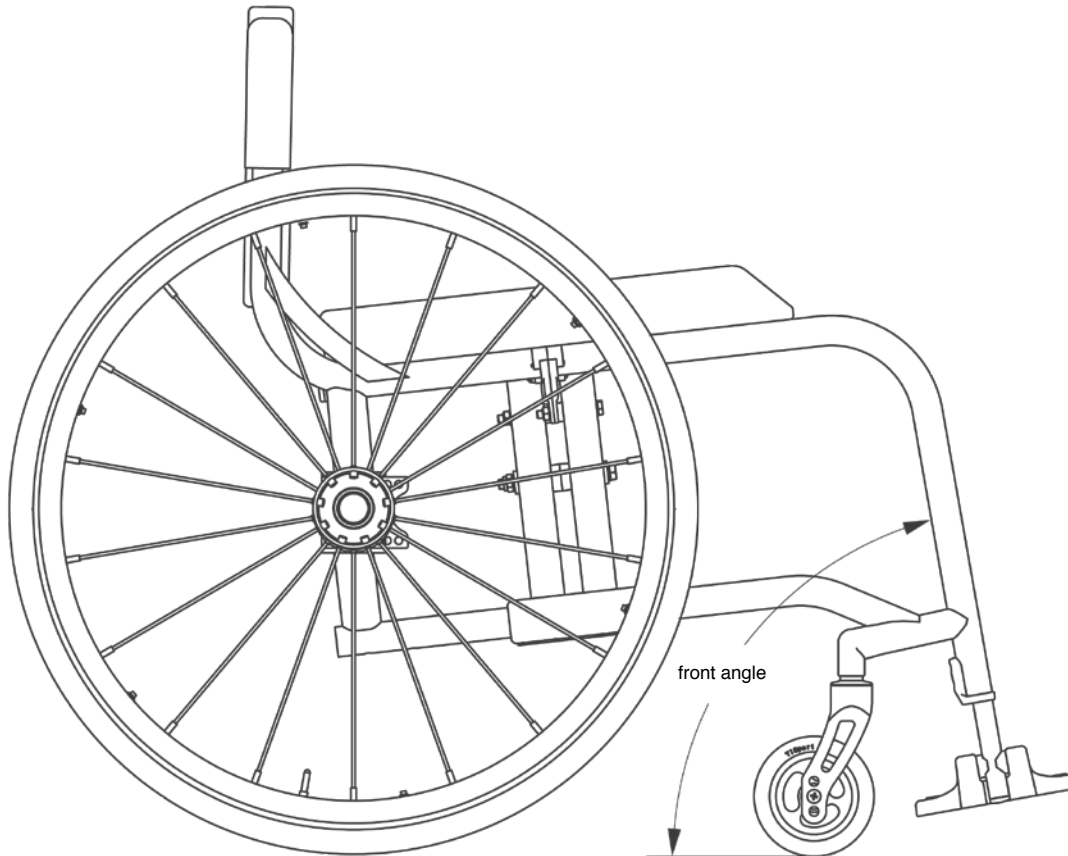
Please allow an additional 2-3 weeks for delivery

Available On: TiLite TX.**Modifications:**

- Frame is fabricated with a non-standard front angle.
- Higher angles may cause clearance problems with some caster combinations.

Front Angle

- 60° 65° 70° 75° 80° 85° 90°
 Other: _____ (between 60° and 90°)



△ **NOTE:** TiLite's warranty does not cover TiLite Designs Unlimited frames and frame components, unless TiLite determines that the frame or frame component was defectively manufactured.

**THE ULTIMATE RIDE.®**

tilite.com
 2701 West Court Street | Pasco, Washington 99301
 509.586.6117 Tel | 800.545.2266 Toll-Free
 509.586.2413 Fax | 866.586.2413 Toll-Free Fax

SPECIAL INSTRUCTIONS

TiLite®DU_0092 REV A

DEALER INFORMATION

Dealer Name:

Customer Name:

Account Number:

PO Number:

DESIGNS UNLIMITEDPlease Fax This Page with the Order Form to **TiLite Customer Service 866.586.2413 or 509.586.2413****CUSTOM FRONT ANGLE**

Part Number: DU100048

Price: \$ 200.00

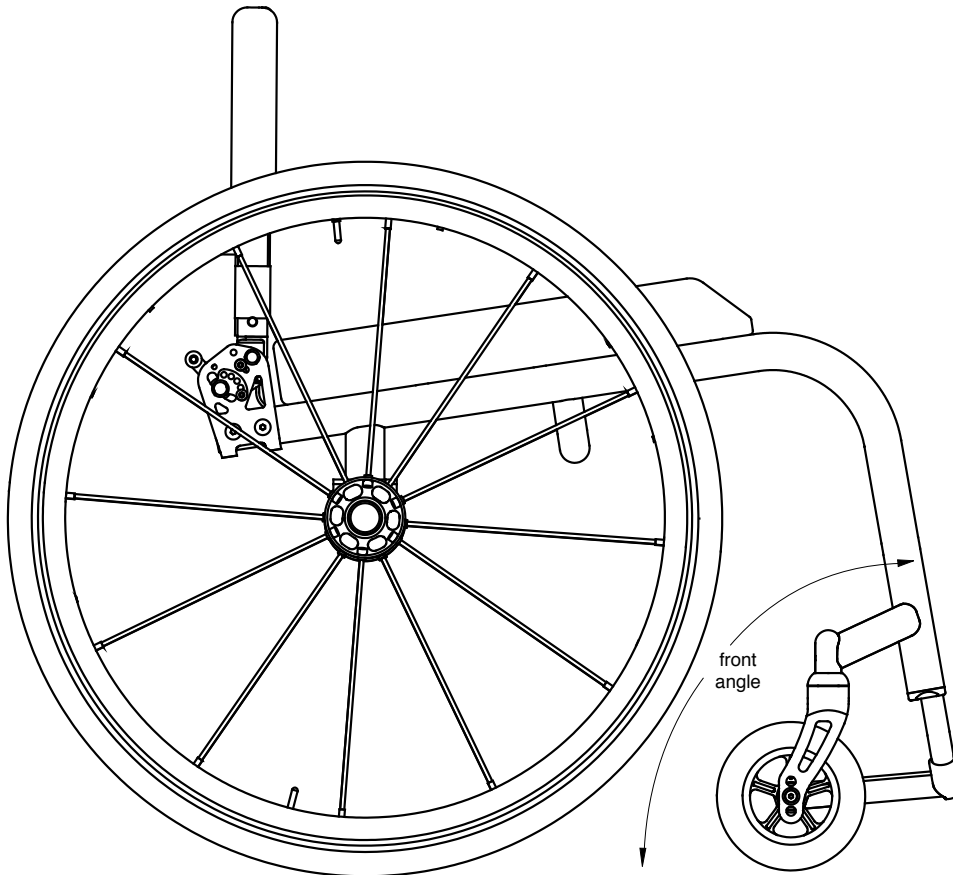
Please allow an additional week for delivery

Available On: TiLite ZR, ZRA, and Aero Z.**Modifications:**

- Frame is fabricated with a non-standard front angle.
- Higher angles may cause clearance problems with some caster combinations.

Front Angle

- 60° 65° 70° 75° 80° 85° 90°
 Other: _____ (between 60° and 90°)



△ **NOTE:** TiLite's warranty does not cover TiLite Designs Unlimited frames and frame components, unless TiLite determines that the frame or frame component was defectively manufactured.

**THE ULTIMATE RIDE.®**

tilite.com
 2701 West Court Street | Pasco, Washington 99301
 509.586.6117 Tel | 800.545.2266 Toll-Free
 509.586.2413 Fax | 866.586.2413 Toll-Free Fax

SPECIAL INSTRUCTIONS

TiLite®DU_0092 REV A

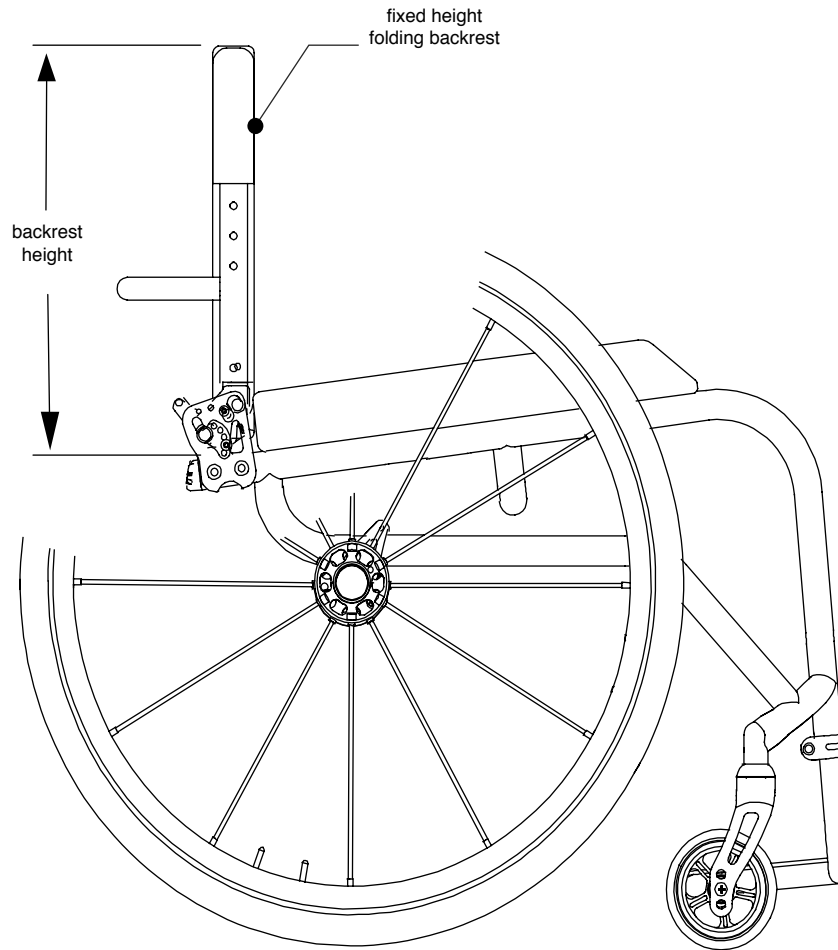
DEALER INFORMATION

Dealer Name:

Customer Name:

Account Number:

PO Number:

DESIGNS UNLIMITEDPlease Fax This Page with the Order Form to **TiLite Customer Service 866.586.2413 or 509.586.2413****CUSTOM FIXED HEIGHT FOLDING BACKREST**

Part Number: DU100054

Price: \$ 360.00

Please allow an additional 2-3 weeks for delivery

Available On: TiLite TR, TRA, Aero T, and Aero R.**Modifications:**

- Custom backrest fabricated to be at a specified fixed height.

Requirements:

- Choose Aluminum or Titanium backrest on order form.

Fixed Seat Back Height

- 8" 8-1/2" 9" 9-1/2"
 10" 10-1/2" 11" 11-1/2"
 12" 12-1/2" 13" 13-1/2"
 14" 14-1/2" 15" 15-1/2"
 16" 16-1/2" 17" 17-1/2"
 18" 18-1/2" 19" 19-1/2"
 20" Other: _____

△ **NOTE:** TiLite's warranty does not cover TiLite Designs Unlimited frames and frame components, unless TiLite determines that the frame or frame component was defectively manufactured.

**THE ULTIMATE RIDE.®**

tilite.com
 2701 West Court Street | Pasco, Washington 99301
 509.586.6117 Tel | 800.545.2266 Toll-Free
 509.586.2413 Fax | 866.586.2413 Toll-Free Fax

SPECIAL INSTRUCTIONS

TiLite®DU_0092 REV A

DEALER INFORMATION

Dealer Name:

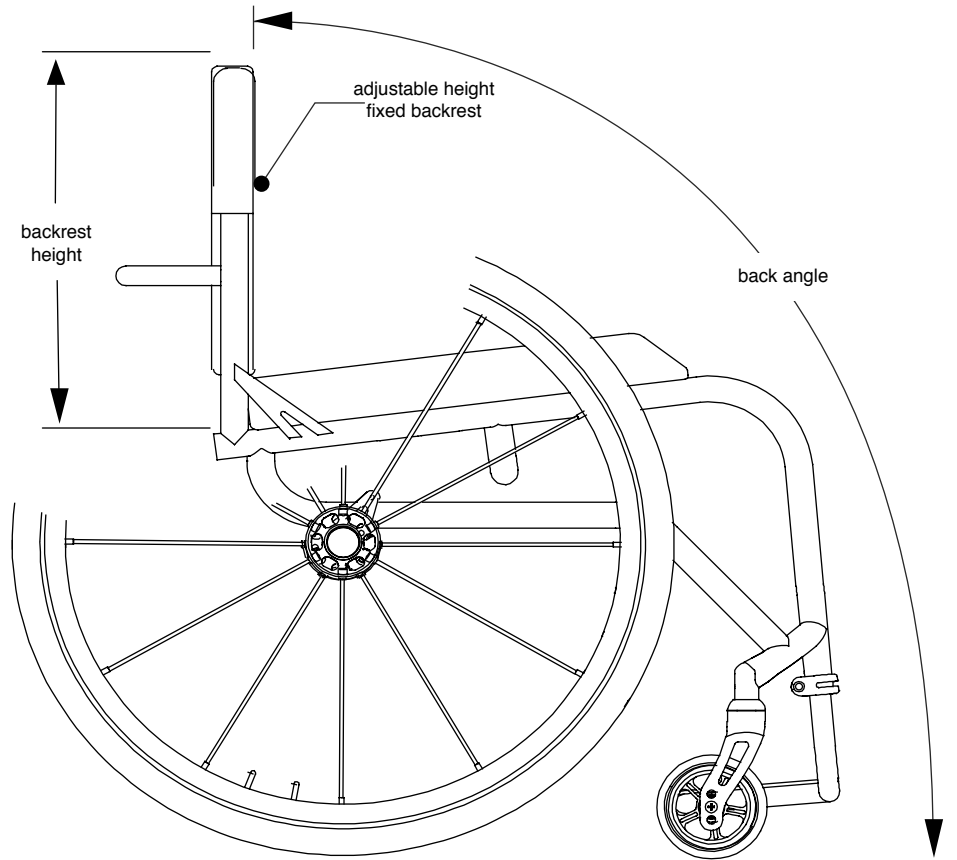
Customer Name:

Account Number:

PO Number:

DESIGNS UNLIMITED

Please Fax This Page with the Order Form to **TiLite Customer Service 866.586.2413 or 509.586.2413**



CUSTOM ADJUSTABLE HEIGHT FIXED BACKREST

Part Number: DU100057

Price: \$ 360.00

Please allow an additional 2-3 weeks for delivery

Available On: TiLite TR.

Modifications:

- Fixed height, non-folding backrest is fabricated to have custom height adjustment range.
- Requires Tension Adjustable by Straps Seat Upholstery.

Adjustable Seat Back Height w/o Push Handles

- 8 - 12" 8-1/2 - 12-1/2" 9 - 13" 9-1/2 - 13-1/2"
- 10 - 14" 10-1/2 - 14-1/2" 11 - 15" 11-1/2 - 15-1/2"
- 12 - 16" 12-1/2 - 16-1/2" 13 - 17" 13-1/2 - 17-1/2"
- 14 - 18" 14-1/2 - 18-1/2" 15 - 19" 15-1/2 - 19-1/2"
- 16 - 20"

Set at: _____ (Use 1/2" increments)

Adjustable Seat Back Height w/Push Handles

- 10 - 12" 10-1/2 - 12-1/2" 11 - 14" 11-1/2 - 14-1/2"
- 12 - 15" 12-1/2 - 15-1/2" 13 - 16" 13-1/2 - 16-1/2"
- 14 - 17" 14-1/2 - 17-1/2" 15 - 18" 15-1/2 - 18-1/2"
- 16 - 19" 16-1/2 - 19-1/2" 17 - 20"

Set at: _____ (Use 1/2" increments)

Adjustable Seat Back Height w/ Integrated Fold-Down

- 13 - 15.5" 13-1/2 - 16" 14 - 16.5" 14-1/2 - 17"
- 15 - 17.5" 15-1/2 - 18" 16 - 18.5" 16-1/2 - 19"
- 17 - 19.5" 17-1/2 - 20" 18 - 20.5" 18-1/2 - 21"

Set at: _____ (Use 1/2" increments)

Back Angle

- 80° 81° 82° 83° 84° 85° 86° 87°
- 88° 89° 90° 91° 92° 93° 94° 95°
- 96° 97° 98° 99° 100° 101°
- Other: _____

△ **NOTE:** TiLite's warranty does not cover TiLite Designs Unlimited frames and frame components, unless TiLite determines that the frame or frame component was defectively manufactured.



THE ULTIMATE RIDE.®
 tilite.com
 2701 West Court Street | Pasco, Washington 99301
 509.586.6117 Tel | 800.545.2266 Toll-Free
 509.586.2413 Fax | 866.586.2413 Toll-Free Fax

SPECIAL INSTRUCTIONS

TiLite®DU_0092 REV A

DEALER INFORMATION

Dealer Name:

Customer Name:

Account Number:

PO Number:

DESIGNS UNLIMITED

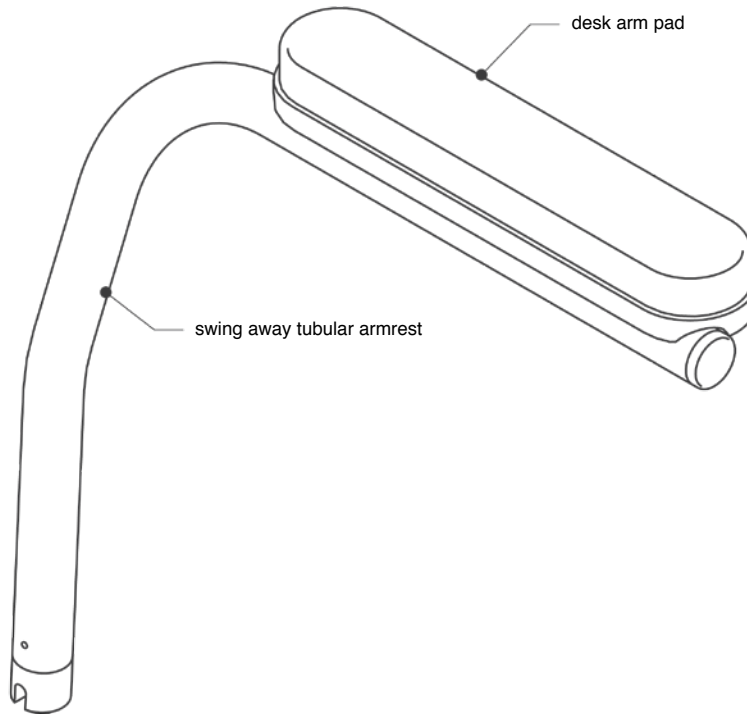
Please Fax This Page with the Order Form to **TiLite Customer Service 866.586.2413 or 509.586.2413**

SWING AWAY TUBULAR ARMREST WITH DESK ARM PAD

Part Number: DU100058

Price: \$ 100.00

Please allow an additional week for delivery



Available On: TiLite TR, TRA, ZR, ZRA, TX, Aero R, Aero X, Aero T, 2GX and Aero Z.

Modifications:

- Desk arm pad attached to a swing away tubular armrest.

Requirements:

- Specify chair model when ordering.

△ **NOTE:** TiLite's warranty does not cover TiLite Designs Unlimited frames and frame components, unless TiLite determines that the frame or frame component was defectively manufactured.



THE ULTIMATE RIDE.®

tilite.com
2701 West Court Street | Pasco, Washington 99301
509.586.6117 Tel | 800.545.2266 Toll-Free
509.586.2413 Fax | 866.586.2413 Toll-Free Fax

SPECIAL INSTRUCTIONS

TiLite®DU_0092 REV A

DEALER INFORMATION

Dealer Name:

Customer Name:

Account Number:

PO Number:

DESIGNS UNLIMITED

Please Fax This Page with the Order Form to **TiLite Customer Service 866.586.2413 or 509.586.2413**

SWING AWAY TUBULAR ARMREST WITH FULL LENGTH DESK ARM PAD

Part Number: DU100059

Price: \$ 200.00

Please allow an additional week for delivery

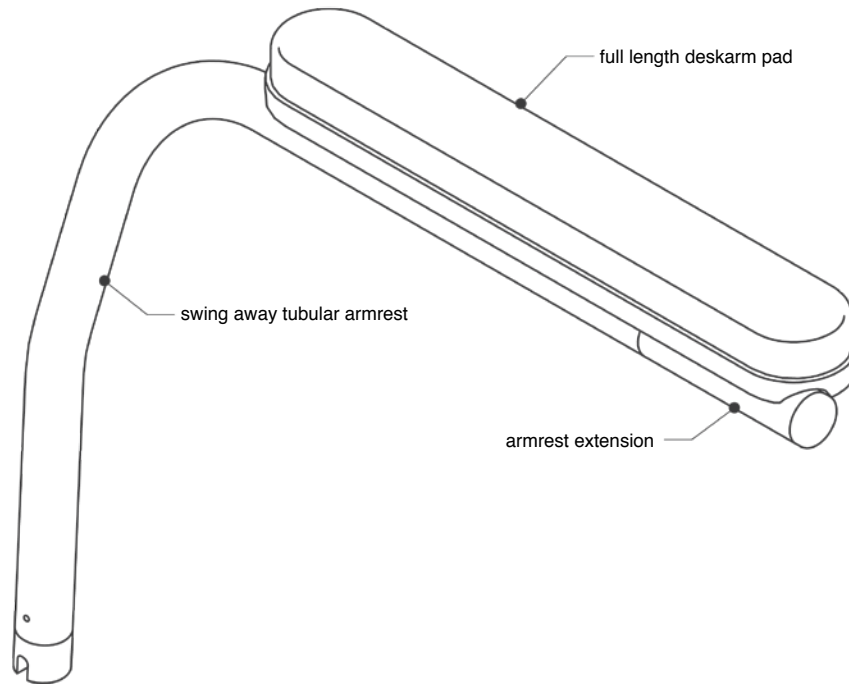
Available On: TiLite TR, TRA, ZR, ZRA, TX, Aero R, Aero X, Aero T, 2GX and Aero Z.

Modifications:

- Desk arm pad attached to a swing away tubular armrest.

Requirements:

- Specify chair model when ordering.



△ **NOTE:** TiLite's warranty does not cover TiLite Designs Unlimited frames and frame components, unless TiLite determines that the frame or frame component was defectively manufactured.



THE ULTIMATE RIDE.®
tilite.com
2701 West Court Street | Pasco, Washington 99301
509.586.6117 Tel | 800.545.2266 Toll-Free
509.586.2413 Fax | 866.586.2413 Toll-Free Fax

SPECIAL INSTRUCTIONS

TiLite®DU_0092 REV A

DEALER INFORMATION

Dealer Name:

Customer Name:

Account Number:

PO Number:

DESIGNS UNLIMITEDPlease Fax This Page with the Order Form to **TiLite Customer Service 866.586.2413 or 509.586.2413****TUBULAR FLIP-UP FOOTPLATES**

Part Number: DU100061

Price: \$ 360.00

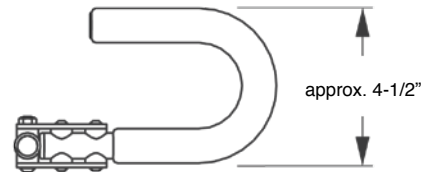
Please allow an additional 2-3 weeks for delivery

Available On: TiLite Aero X, 2GX, and TX.**Modifications:**

- Custom tubular flip-up footplates are fabricated to be used with folding frames.

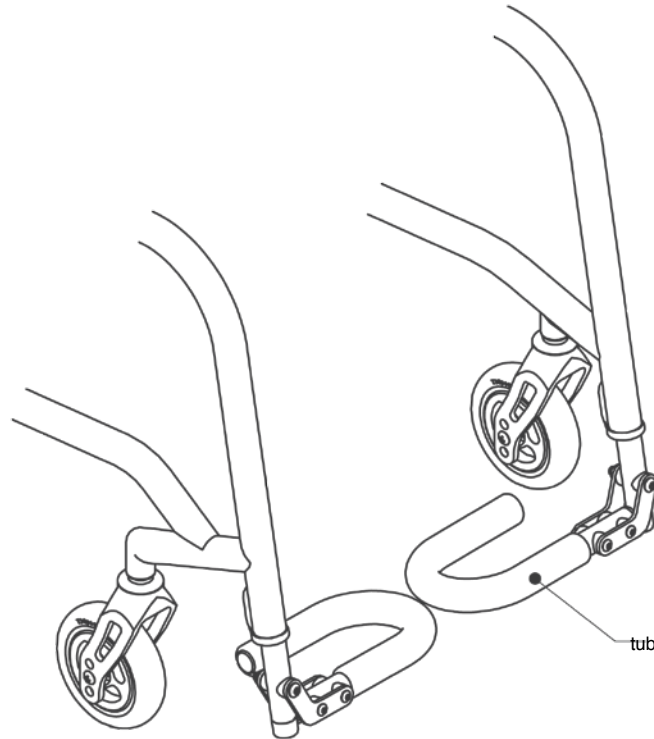
Footplate Options:

- Standard aluminum
- Foam covered



approx. 4-1/2"

tubular flip-up footplate



△ **NOTE:** TiLite's warranty does not cover TiLite Designs Unlimited frames and frame components, unless TiLite determines that the frame or frame component was defectively manufactured.

**THE ULTIMATE RIDE.®**

tilite.com
 2701 West Court Street | Pasco, Washington 99301
 509.586.6117 Tel | 800.545.2266 Toll-Free
 509.586.2413 Fax | 866.586.2413 Toll-Free Fax

SPECIAL INSTRUCTIONS

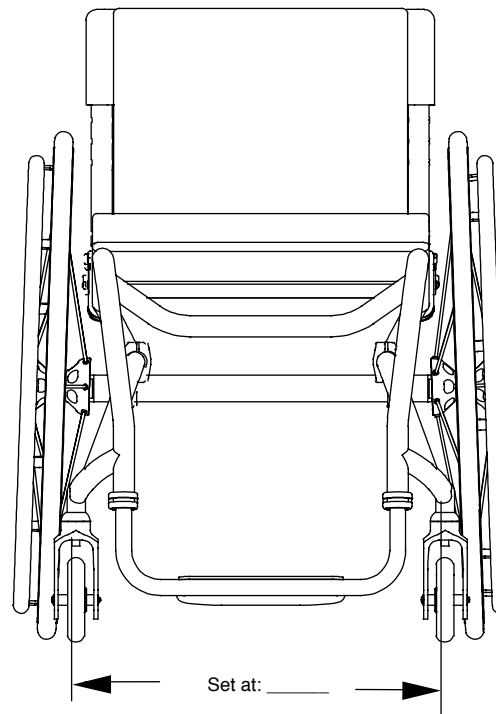
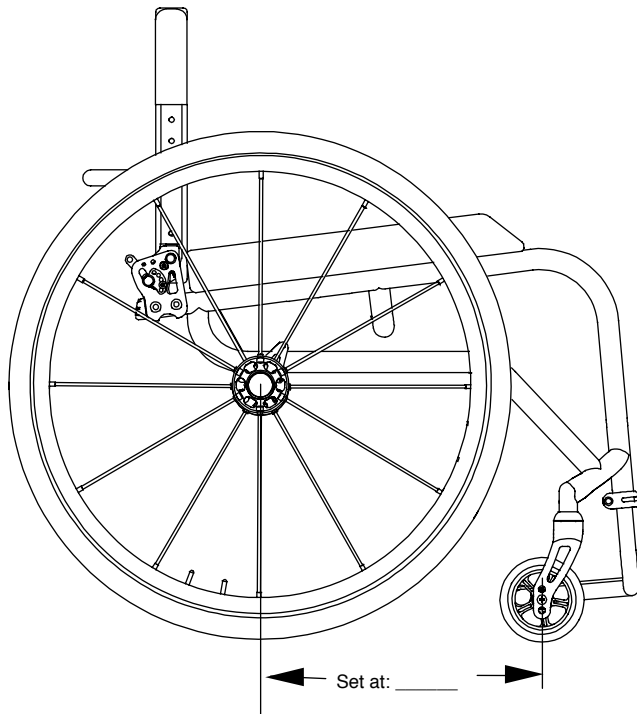
TiLite®DU_0092 REV A

DEALER INFORMATION

Dealer Name:	Customer Name:
Account Number:	PO Number:

DESIGNS UNLIMITED

Please Fax This Page with the Order Form to **TiLite Customer Service 866.586.2413 or 509.586.2413**



CUSTOM CASTER PLACEMENT	
Part Number: DU100062	Price: \$ 150.00
Please allow an additional week for delivery	

Available On: TiLite TR, TRA, ZR, ZRA, TX, Aero T, and Aero Z.

Modifications:

- Frame designed to include custom caster placement.
- Some caster placement dimensions may cause clearance problems with some caster/front angle/frame offset/footplate combinations.

△ **NOTE:** TiLite's warranty does not cover TiLite Designs Unlimited frames and frame components, unless TiLite determines that the frame or frame component was defectively manufactured.



THE ULTIMATE RIDE.®
 tilite.com
 2701 West Court Street | Pasco, Washington 99301
 509.586.6117 Tel | 800.545.2266 Toll-Free
 509.586.2413 Fax | 866.586.2413 Toll-Free Fax

SPECIAL INSTRUCTIONS

TiLite®DU_0092 REV A

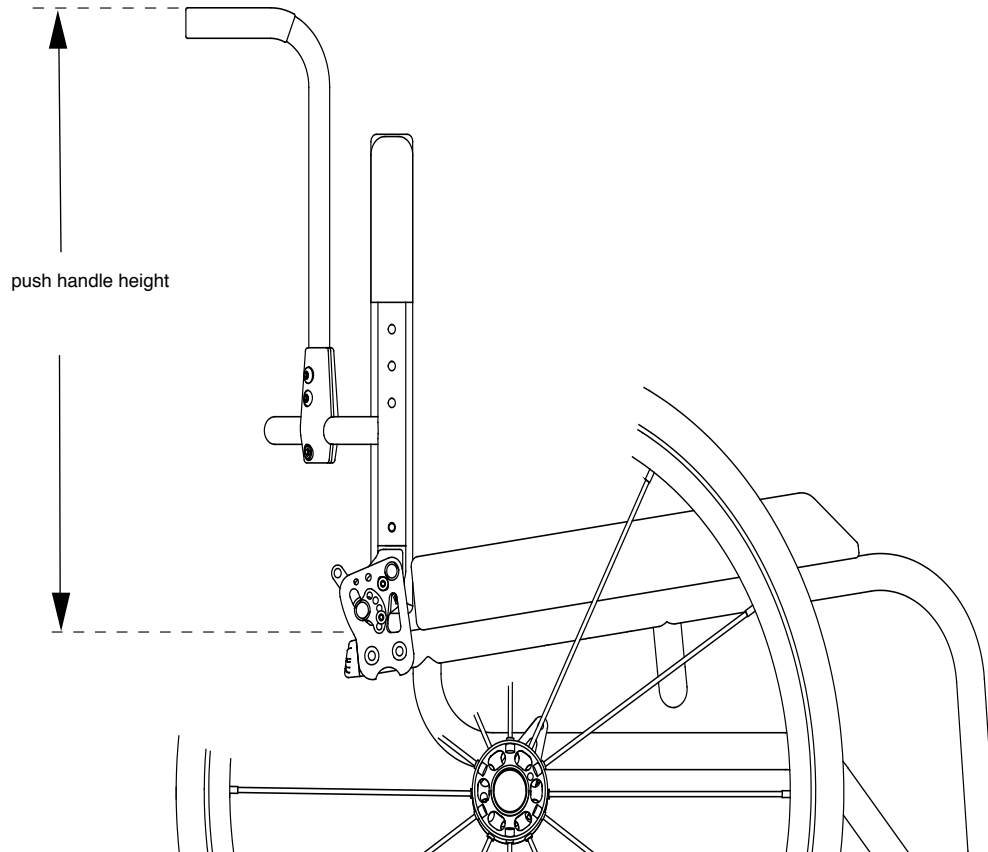
DEALER INFORMATION

Dealer Name:

Customer Name:

Account Number:

PO Number:

DESIGNS UNLIMITEDPlease Fax This Page with the Order Form to **TiLite Customer Service 866.586.2413 or 509.586.2413****CUSTOM HEIGHT BOLT-ON PUSH HANDLES**

Part Number: DU100063

Price: \$ 75.00

Please allow an additional week for delivery

Available On: TiLite ZR, ZRA, Aero R, Aero Z and Twist.**Modifications:**

- Bolt-on push handles fabricated to custom height dimensions.

Requirements:

- Only available on folding aluminum backrest w/ 4" Deep Backrest Rigidizer Bar.

Clamp-On Push Handle Height

- 8-12" Folding Aluminum Backrest
Set at: _____ (Use 1/2" increments between 8-1/2 - 23-1/2")
- 12-16" Folding Aluminum Backrest
Set at: _____ (Use 1/2" increments between 10-1/2 - 25-1/2")
- 16-20" Folding Aluminum Backrest
Set at: _____ (Use 1/2" increments between 14-1/2 - 29-1/2")

△ **NOTE:** TiLite's warranty does not cover TiLite Designs Unlimited frames and frame components, unless TiLite determines that the frame or frame component was defectively manufactured.

**THE ULTIMATE RIDE.®**

tilite.com
2701 West Court Street | Pasco, Washington 99301
509.586.6117 Tel | 800.545.2266 Toll-Free
509.586.2413 Fax | 866.586.2413 Toll-Free Fax

SPECIAL INSTRUCTIONS

TiLite®DU_0092 REV A

DEALER INFORMATION

Dealer Name:

Customer Name:

Account Number:

PO Number:

DESIGNS UNLIMITED

Please Fax This Page with the Order Form to **TiLite Customer Service 866.586.2413 or 509.586.2413**

FULL SIZE QUOTE DRAWING

Part Number: DU100065

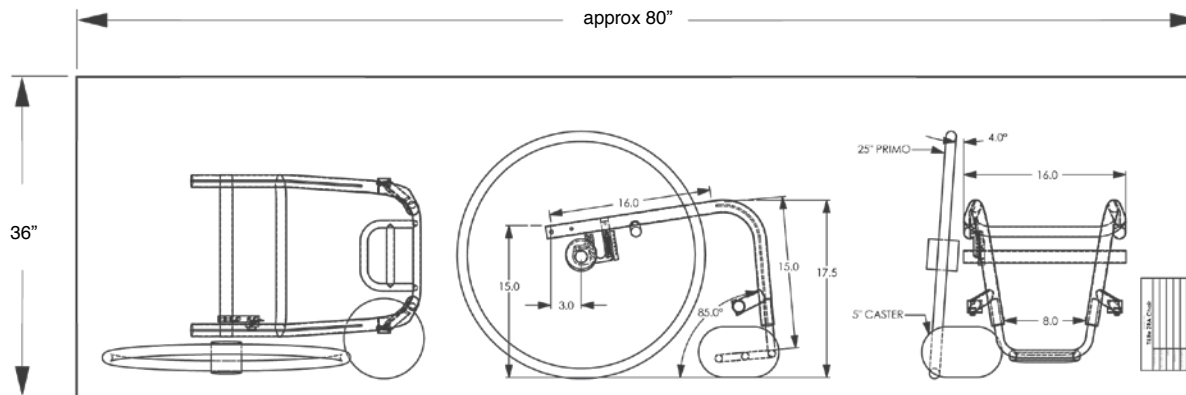
Price: \$ 100.00

Please allow an additional 2-3 weeks for delivery

Available On: TiLite TR, TRA, ZR, ZRA, TX, Aero T, and Aero Z.

Requirements:

- Completed order form.



△ **NOTE:** TiLite's warranty does not cover TiLite Designs Unlimited frames and frame components, unless TiLite determines that the frame or frame component was defectively manufactured.



THE ULTIMATE RIDE.®
 tilite.com
 2701 West Court Street | Pasco, Washington 99301
 509.586.6117 Tel | 800.545.2266 Toll-Free
 509.586.2413 Fax | 866.586.2413 Toll-Free Fax

SPECIAL INSTRUCTIONS

TiLite®DU_0092 REV A

DEALER INFORMATION

Dealer Name:

Customer Name:

Account Number:

PO Number:

DESIGNS UNLIMITEDPlease Fax This Page with the Order Form to **TiLite Customer Service 866.586.2413 or 509.586.2413****FLIP-BACK ARMREST WITH DESK ARM PAD**

Part Number: DU100066

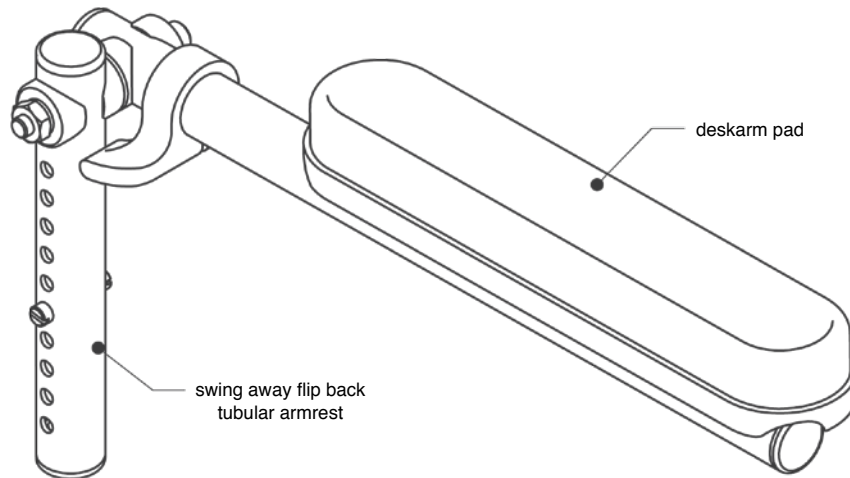
Price: \$ 100.00

Please allow an additional week for delivery

Available On: TiLite TR, TRA, ZR, ZRA, Aero R, Aero Z, Aero T, 2GX, and Aero X.

Requirements:

- Desk arm pad attached to a swing away flip back tubular armrest.



△ **NOTE:** TiLite's warranty does not cover TiLite Designs Unlimited frames and frame components, unless TiLite determines that the frame or frame component was defectively manufactured.

**THE ULTIMATE RIDE.®**

tilite.com
2701 West Court Street | Pasco, Washington 99301
509.586.6117 Tel | 800.545.2266 Toll-Free
509.586.2413 Fax | 866.586.2413 Toll-Free Fax

SPECIAL INSTRUCTIONS

TiLite®DU_0092 REV A

DEALER INFORMATION

Dealer Name:

Customer Name:

Account Number:

PO Number:

DESIGNS UNLIMITED

Please Fax This Page with the Order Form to **TiLite Customer Service 866.586.2413 or 509.586.2413**

FLIP BACK ARMREST WITH FULL LENGTH DESK ARM PAD

Part Number: DU100067

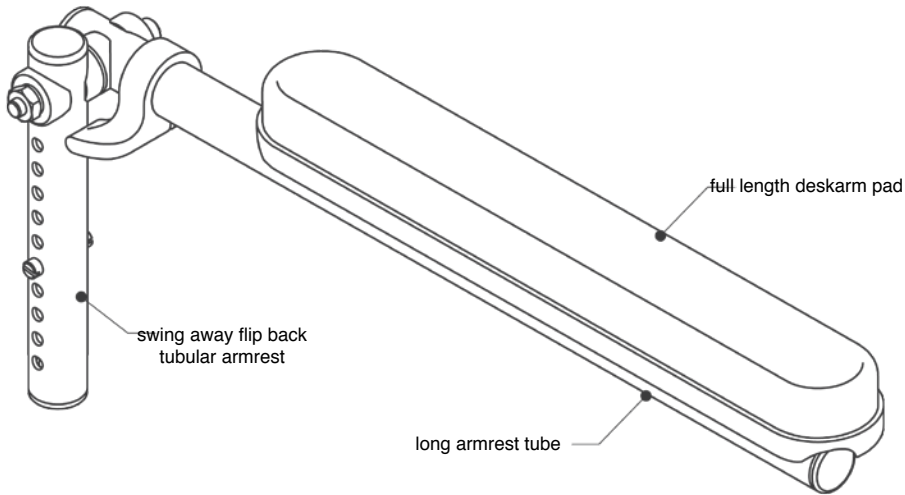
Price: \$ 150.00

Please allow an additional week for delivery

Available On: TiLite TR, TRA, ZR, ZRA, Aero R, Aero Z, Aero T, 2GX, and Aero X.

Requirements:

- Full length desk arm pad attached to a swing away flip back tubular armrest.



△ **NOTE:** TiLite's warranty does not cover TiLite Designs Unlimited frames and frame components, unless TiLite determines that the frame or frame component was defectively manufactured.



THE ULTIMATE RIDE.®

tilite.com
2701 West Court Street | Pasco, Washington 99301
509.586.6117 Tel | 800.545.2266 Toll-Free
509.586.2413 Fax | 866.586.2413 Toll-Free Fax

SPECIAL INSTRUCTIONS

TiLite®DU_0092 REV A

DEALER INFORMATION

Dealer Name:

Customer Name:

Account Number:

PO Number:

DESIGNS UNLIMITED

Please Fax This Page with the Order Form to **TiLite Customer Service 866.586.2413 or 509.586.2413**

CUSTOM UPHOLSTERY

Part Number: DU100068

Price: \$ 150.00

Please allow an additional 2-3 weeks for delivery

Available On: TiLite TR, ZR, ZRA, TX, Aero T, and Aero Z.

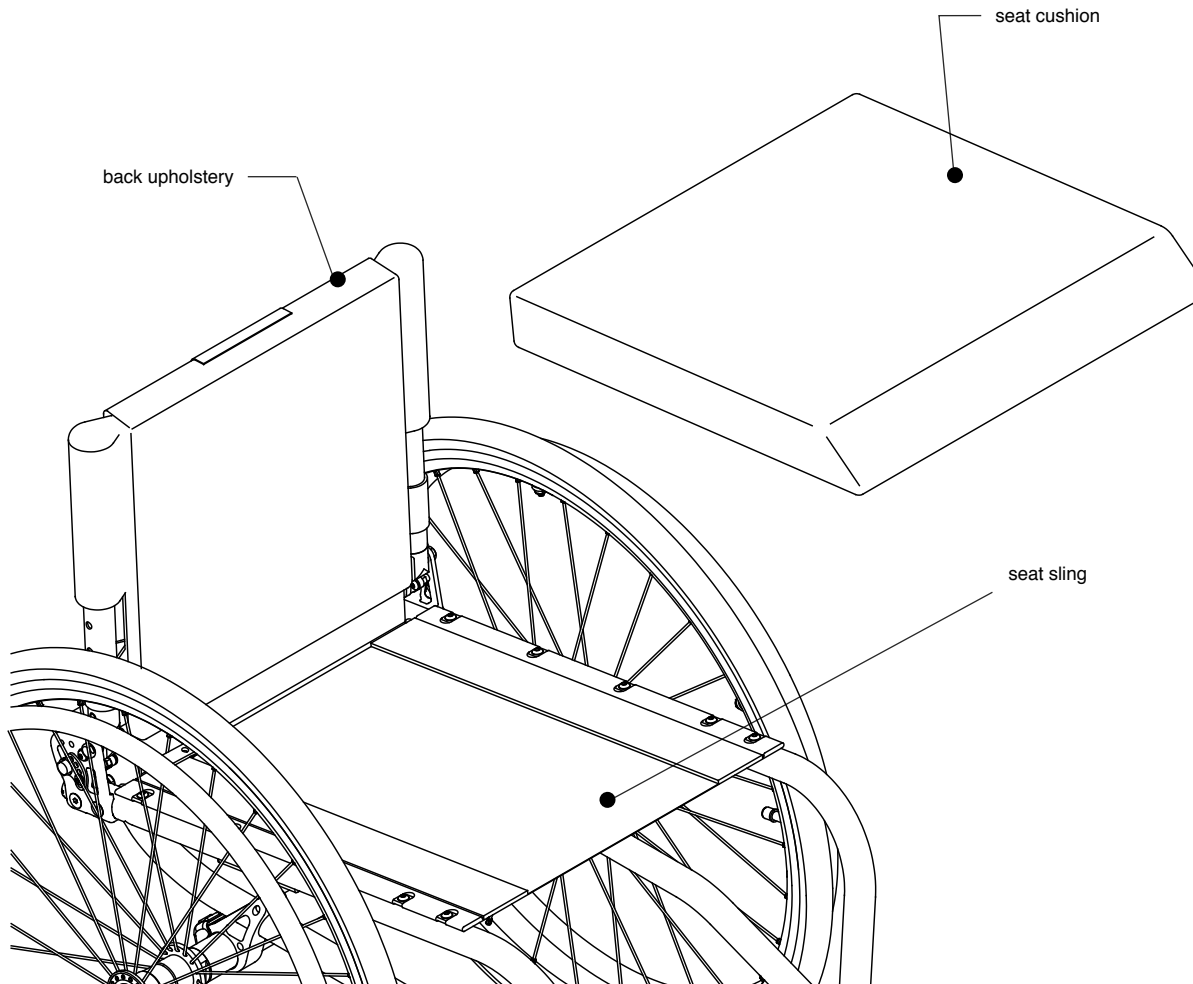
Modifications:

- Upholstery manufactured to custom specifications.

Requirements:

- Select upholstery type on order form.

- Use the space below to describe or sketch custom upholstery.



△ **NOTE:** TiLite's warranty does not cover TiLite Designs Unlimited frames and frame components, unless TiLite determines that the frame or frame component was defectively manufactured.



THE ULTIMATE RIDE.®
tilite.com
2701 West Court Street | Pasco, Washington 99301
509.586.6117 Tel | 800.545.2266 Toll-Free
509.586.2413 Fax | 866.586.2413 Toll-Free Fax

SPECIAL INSTRUCTIONS

TiLite®DU_0092 REV A

DEALER INFORMATION

Dealer Name:

Customer Name:

Account Number:

PO Number:

DESIGNS UNLIMITEDPlease Fax This Page with the Order Form to **TiLite Customer Service 866.586.2413 or 509.586.2413****TITANIUM SINGLE SWIVEL CASTER ANTI-TIP**

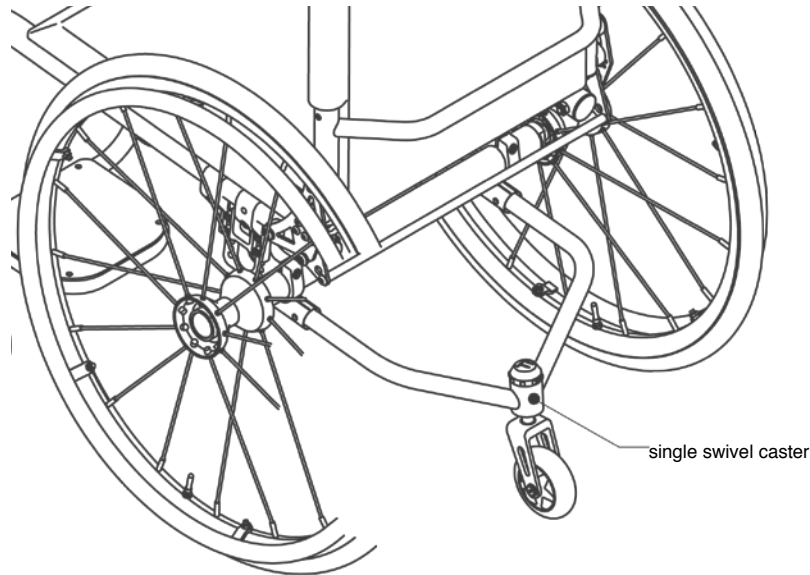
Part Number: DU100069

Price: \$ 360.00

Please allow an additional 2-3 weeks for delivery

Available On: TiLite ZRA, ZR, Aero T, and Aero Z *(Will come with a satin finish).***Modifications:**

- Titanium Single Swivel Caster Anti-Tip custom fabricated to fit the wheelchair.



△ **NOTE:** TiLite's warranty does not cover TiLite Designs Unlimited frames and frame components, unless TiLite determines that the frame or frame component was defectively manufactured.

**THE ULTIMATE RIDE.®**

tilite.com
 2701 West Court Street | Pasco, Washington 99301
 509.586.6117 Tel | 800.545.2266 Toll-Free
 509.586.2413 Fax | 866.586.2413 Toll-Free Fax

SPECIAL INSTRUCTIONS

TiLite®DU_0092 REV A

DEALER INFORMATION

Dealer Name:

Customer Name:

Account Number:

PO Number:

DESIGNS UNLIMITED

Please Fax This Page with the Order Form to **TiLite Customer Service 866.586.2413 or 509.586.2413**

MIXED COLOR ANODIZED PARTS

Part Number: DU100072

Price: \$ 100.00

Please allow an additional week for delivery

Available On: TiLite TX.

Modifications:

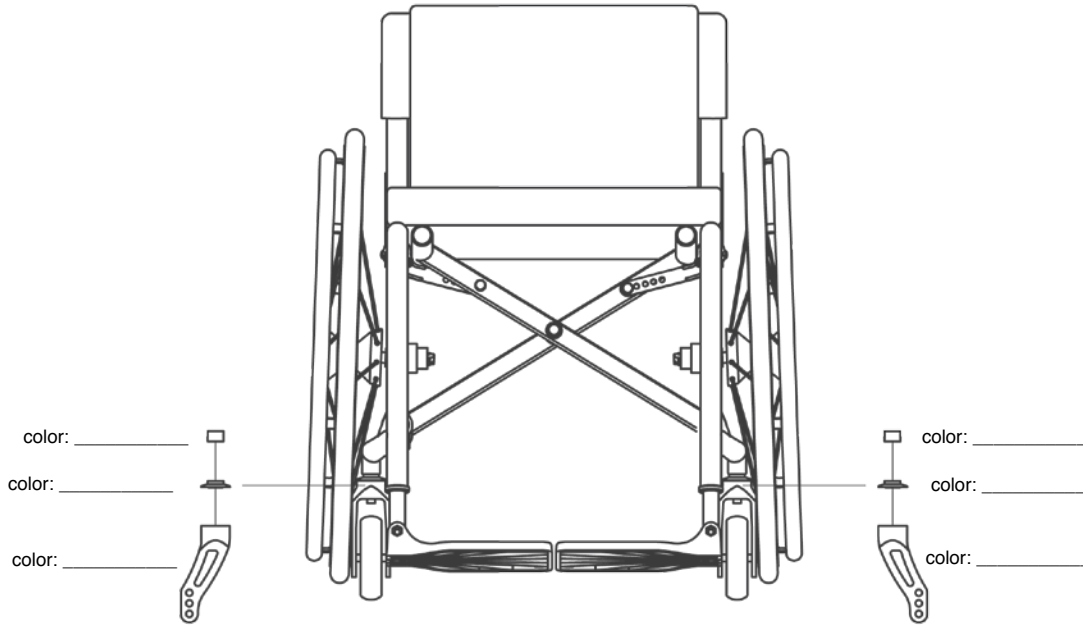
- Chair assembled with multicolored parts.

Notes:

- Fork spacers may not be included on assembled chair.
- Fill in blanks next to each part with desired color.

Available Colors

- Black
- Red Pepper
- Sublime
- Sapphire



△ **NOTE:** TiLite's warranty does not cover TiLite Designs Unlimited frames and frame components, unless TiLite determines that the frame or frame component was defectively manufactured.



THE ULTIMATE RIDE.®
 tilite.com
 2701 West Court Street | Pasco, Washington 99301
 509.586.6117 Tel | 800.545.2266 Toll-Free
 509.586.2413 Fax | 866.586.2413 Toll-Free Fax

SPECIAL INSTRUCTIONS

TiLite®DU_0092 REV A

DEALER INFORMATION

Dealer Name:

Customer Name:

Account Number:

PO Number:

DESIGNS UNLIMITED

Please Fax This Page with the Order Form to **TiLite Customer Service 866.586.2413 or 509.586.2413**

MIXED COLOR ANODIZED PARTS

Part Number: DU100073

Price: \$ 100.00

Please allow an additional week for delivery

Available On: TiLite TR.

Modifications:

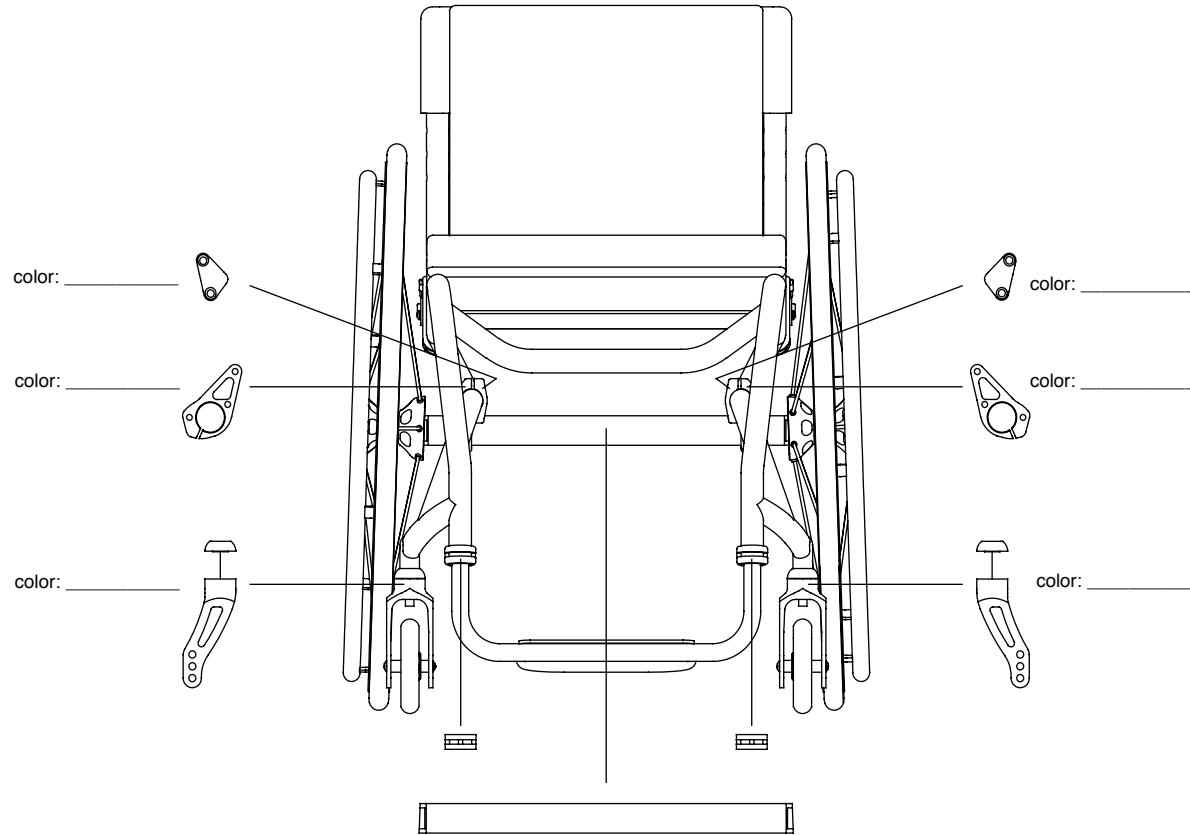
- Chair assembled with multicolored parts.

Notes:

- Fork spacers may not be included on assembled chair.
 - Fill in blanks next to each part with desired color.

Available Colors

- Black
- Sapphire
- Red Pepper
- Burnt Orange
- Sub-Lime
- Ultraviolet



△ **NOTE:** TiLite's warranty does not cover TiLite Designs Unlimited frames and frame components, unless TiLite determines that the frame or frame component was defectively manufactured.



THE ULTIMATE RIDE.®
 tilite.com
 2701 West Court Street | Pasco, Washington 99301
 509.586.6117 Tel | 800.545.2266 Toll-Free
 509.586.2413 Fax | 866.586.2413 Toll-Free Fax

SPECIAL INSTRUCTIONS

TiLite®DU_0092 REV A

DEALER INFORMATION

Dealer Name:

Customer Name:

Account Number:

PO Number:

DESIGNS UNLIMITEDPlease Fax This Page with the Order Form to **TiLite Customer Service 866.586.2413 or 509.586.2413****16" & 18" MAG WHEELS W/TREADED TIRE**

Part Number: DU100075

Price: \$320

Please allow an additional week for delivery

Available On: TiLite TR, Aero T, and TX.**Modifications:**

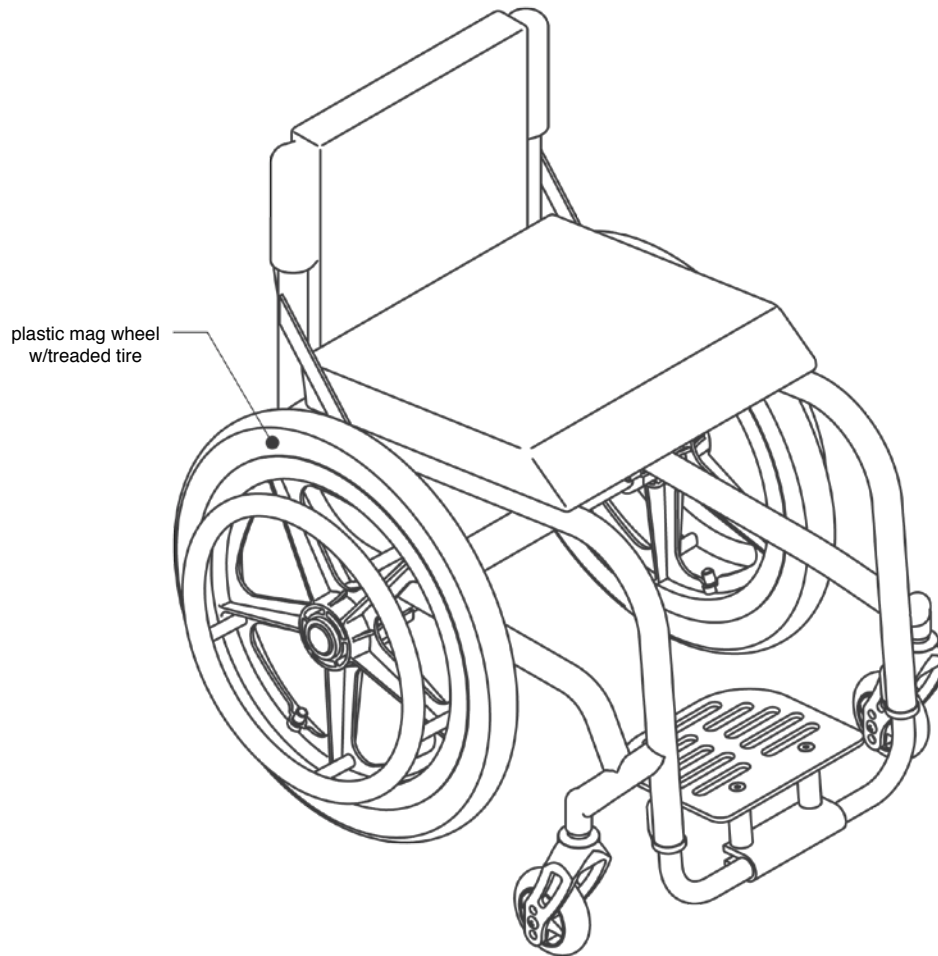
- Chair frame designed to use and assembled with smaller size plastic mag wheels.
- Chair frame can be designed using smaller than standard width, depth, and height dimensions.

Notes:

- Specify custom frame dimensions on order form. Engineering department will determine pricing based on the degree of customization required.

Plastic Mag Wheel w/Treaded Tire (choose wheel size below)

- 16"
 18"



△ **NOTE:** TiLite's warranty does not cover TiLite Designs Unlimited frames and frame components, unless TiLite determines that the frame or frame component was defectively manufactured.

**THE ULTIMATE RIDE.®**

tilite.com
 2701 West Court Street | Pasco, Washington 99301
 509.586.6117 Tel | 800.545.2266 Toll-Free
 509.586.2413 Fax | 866.586.2413 Toll-Free Fax

SPECIAL INSTRUCTIONS

TiLite®DU_0092 REV A

DEALER INFORMATION

Dealer Name:

Customer Name:

Account Number:

PO Number:

DESIGNS UNLIMITED

Please Fax This Page with the Order Form to **TiLite Customer Service 866.586.2413 or 509.586.2413**

CUSTOM HEIGHT SEAT BACK RIGIDIZER BAR

Part Number: DU100077

Price: \$ 150.00

Please allow an additional week for delivery

Available On: TiLite TR, TRA, ZR, ZRA, Aero R, Aero Z, Aero T, and Twist.

Modifications:

- Seat back fabricated with custom height rigidizer bar.
- Seat back fabricated with custom height rigidizer bar.
- A Corbac selected on the order form may interfere with higher placed rigidizer bar.

Requirements:

- Select backrest options on order form.
- Rigidizer bar height can be no less than 4-1/2" for folding seat backs.
- Rigidizer bar height must be 3" lower than seat back height dimension for fixed height seat backs.
- Rigidizer bar height must be 3" lower than lowest seat back height dimension for adjustable height seat backs.
- Rigidizer bar height can be no less than 5-3/4" for chairs w/ 11"-14" tall swing away armrests.
- Rigidizer bar is measured from top of seat to top of bar.

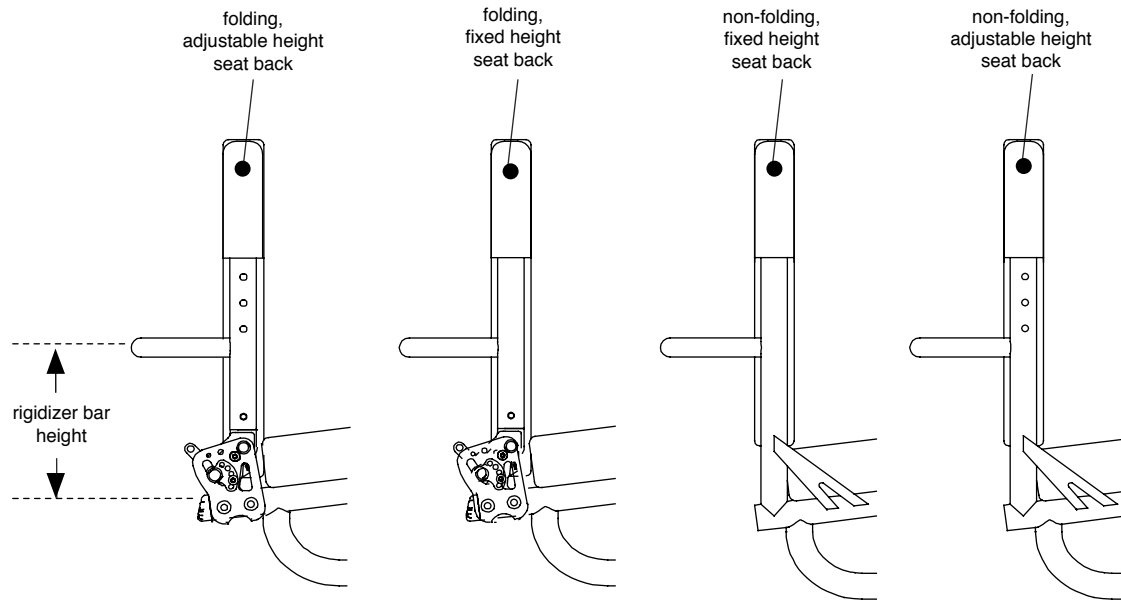
Notes:

- Can be combined with the following DU options for no additional charge:

- | | | | |
|----------|----------|----------|----------|
| DU100009 | DU100013 | DU100017 | DU100019 |
| DU100037 | DU100055 | DU100056 | DU100057 |
| DU100054 | | | |

Seat Back Backrest Bar Height:

Set at: _____ (Use 1/4" increments)



△ **NOTE:** TiLite's warranty does not cover TiLite Designs Unlimited frames and frame components, unless TiLite determines that the frame or frame component was defectively manufactured.



THE ULTIMATE RIDE.®
 tilite.com
 2701 West Court Street | Pasco, Washington 99301
 509.586.6117 Tel | 800.545.2266 Toll-Free
 509.586.2413 Fax | 866.586.2413 Toll-Free Fax

SPECIAL INSTRUCTIONS

TiLite®DU_0092 REV A

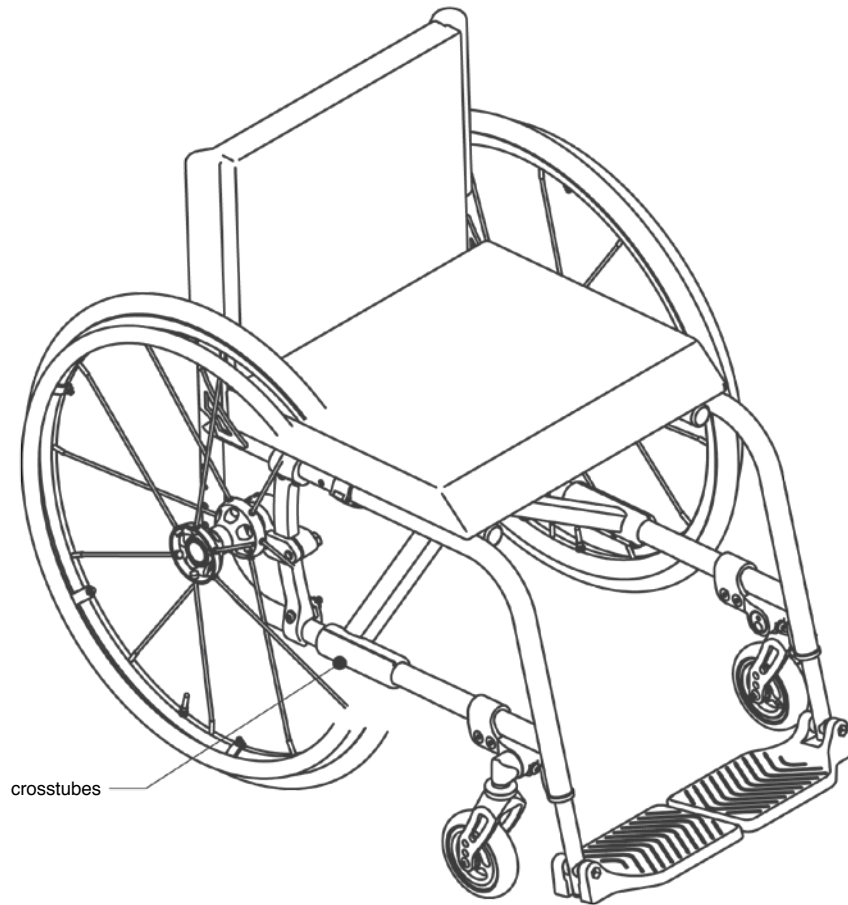
DEALER INFORMATION

Dealer Name:

Customer Name:

Account Number:

PO Number:

DESIGNS UNLIMITEDPlease Fax This Page with the Order Form to **TiLite Customer Service 866.586.2413 or 509.586.2413**

crosstubes

CUSTOM RIGID FOLDING MECHANISM (CROSSTUBE) COLOR

Part Number: DU100081

Price: \$100.00

Please allow an additional week for delivery

Available On: TiLite TX, 2GX and Aero X.**Modifications:**

- Chair assembled with custom colored crosstubes.

Notes:

- For TiLite TX and 2GX chairs standard crosstubes are Black Lava
 - For TiLite Aero X chairs standard crosstubes are Black Lava.

Available Colors:**High Gloss Paint**

- Super Wet Black
- Sunburst Yellow
- TiLite Red
- Military Green
- Orange Crush
- Neon Pink
- Neon Green

Metallic Paint

- Ocean Blue Metallic
- Tangerine Metallic
- Salsa Red Metallic
- Acid Green Metallic

Pearlescent Paint

- Midnight Blue Pearl
- White Pearl

Matte Paint

- Black Lava
- Deep Blue Ice
- Titanium Gray

Candy Paint

- Ruby Red
- Azure Blue
- Electric Plum

△ **NOTE:** TiLite's warranty does not cover TiLite Designs Unlimited frames and frame components, unless TiLite determines that the frame or frame component was defectively manufactured.

**THE ULTIMATE RIDE.®**

tilite.com
 2701 West Court Street | Pasco, Washington 99301
 509.586.6117 Tel | 800.545.2266 Toll-Free
 509.586.2413 Fax | 866.586.2413 Toll-Free Fax

SPECIAL INSTRUCTIONS

TiLite®DU_0092 REV A

DEALER INFORMATION

Dealer Name:

Customer Name:

Account Number:

PO Number:

DESIGNS UNLIMITEDPlease Fax This Page with the Order Form to **TiLite Customer Service 866.586.2413 or 509.586.2413****FRONT FRAME RIGIDIZER BAR**

Part Number: DU100082

Price: \$435.00

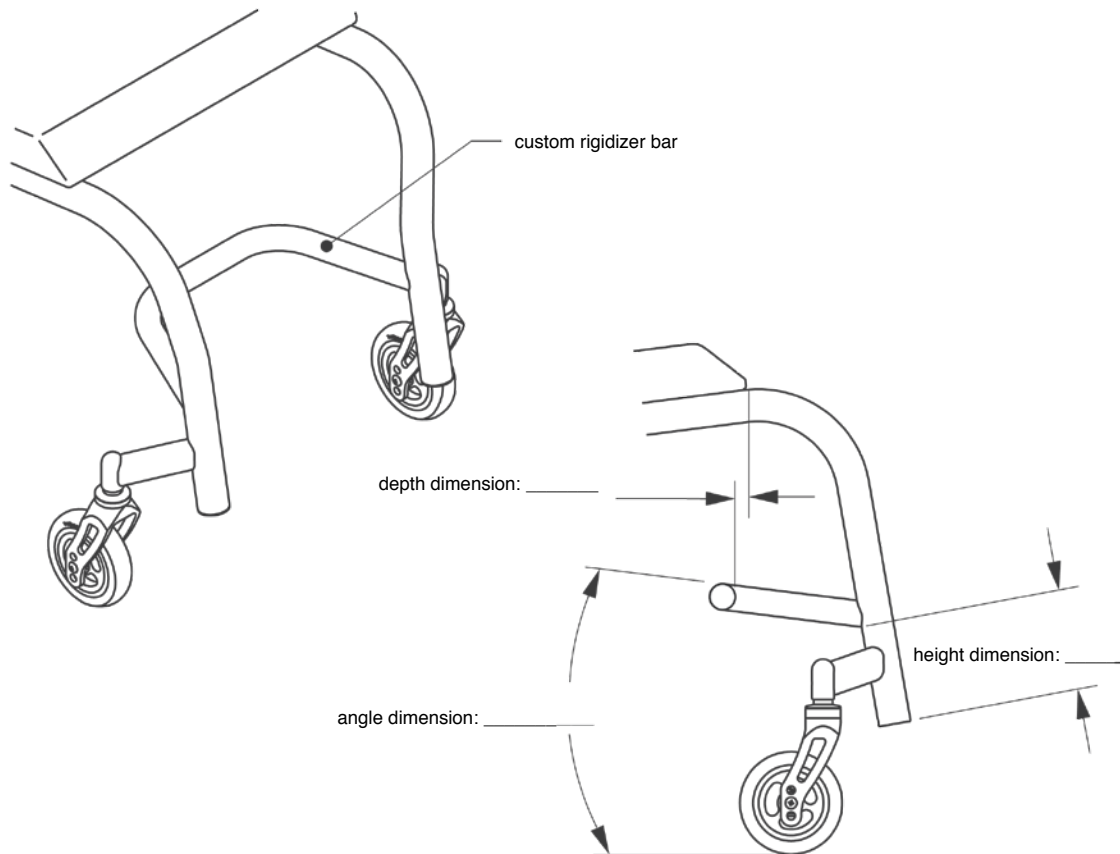
Please allow an additional 2-3 weeks for delivery

Available On: TiLite ZR, ZRA, and Aero Z.**Modifications:**

- A custom rigidizer bar is welded between the front frame tubes.

Fill in dimensions below:

- None
- Standard
 - Aluminum flip-up (Not available with Aero Z.)
 - Composite flip-up (Not available with Aero Z.)
 - Depth adjustable flip-up (Not available with Aero Z.)
 - Angle adjustable flip-up (Not available with Aero Z.)
 - Depth and angle adjustable flip-up (Not available with Aero Z.)
- High mount
 - Aluminum flip-up
 - Depth adjustable flip-up
 - Angle adjustable flip-up
 - Depth and angle adjustable flip-up
- One piece flip-up - Pivot on L OR R (Not available with Heel Loops.)



△ **NOTE:** TiLite's warranty does not cover TiLite Designs Unlimited frames and frame components, unless TiLite determines that the frame or frame component was defectively manufactured.

**THE ULTIMATE RIDE.®**

tilite.com
 2701 West Court Street | Pasco, Washington 99301
 509.586.6117 Tel | 800.545.2266 Toll-Free
 509.586.2413 Fax | 866.586.2413 Toll-Free Fax

SPECIAL INSTRUCTIONS

TiLite®DU_0092 REV A

DEALER INFORMATION

Dealer Name:

Customer Name:

Account Number:

PO Number:

DESIGNS UNLIMITED

Please Fax This Page with the Order Form to **TiLite Customer Service 866.586.2413 or 509.586.2413**

SQUARED OFF TITANIUM FOOTREST

Part Number: DU100083

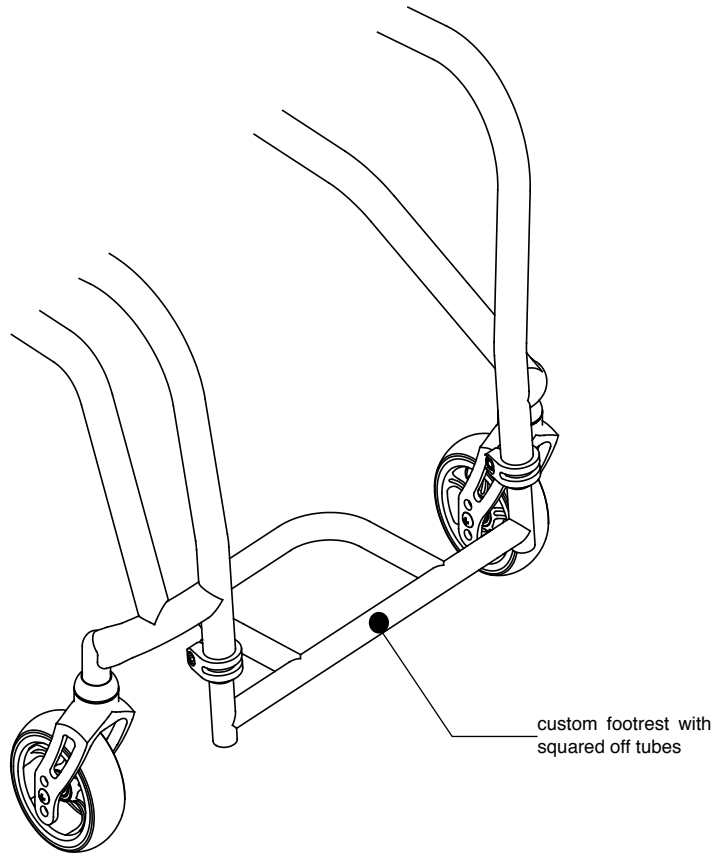
Price: \$360.00

Please allow an additional 2-3 weeks for delivery

Available On: TiLite TR, TRA, ZR, ZRA, Aero T, and Aero Z.

Modifications:

- Standard titanium footrest fabricated with squared off extension tubes allowing for an increased range of height adjustment.



△ **NOTE:** TiLite's warranty does not cover TiLite Designs Unlimited frames and frame components, unless TiLite determines that the frame or frame component was defectively manufactured.



THE ULTIMATE RIDE.®
 tilite.com
 2701 West Court Street | Pasco, Washington 99301
 509.586.6117 Tel | 800.545.2266 Toll-Free
 509.586.2413 Fax | 866.586.2413 Toll-Free Fax

SPECIAL INSTRUCTIONS

TiLite®DU_0092 REV A

DEALER INFORMATION

Dealer Name:

Customer Name:

Account Number:

PO Number:

DESIGNS UNLIMITED

Please Fax This Page with the Order Form to **TiLite Customer Service 866.586.2413 or 509.586.2413**

CUSTOM FOOTREST HEIGHT ADJUSTMENT

Part Number: DU100084

Price: \$150.00

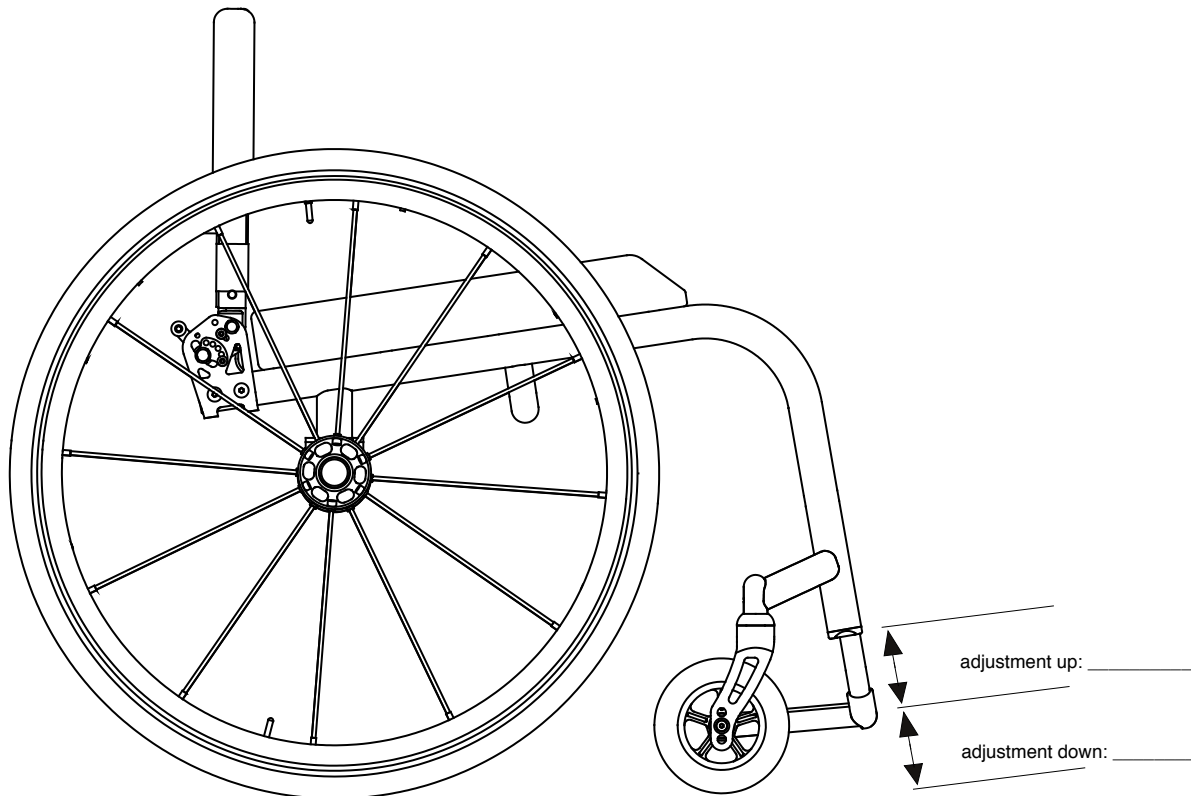
Please allow an additional 2-3 weeks for delivery

Available On: TiLite TR, TRA, ZR, ZRA, Aero T, and Aero Z.

Modifications:

- Frame and footrest are fabricated to accommodate a specified range of adjustment.

Fill in dimensions below



△ **NOTE:** TiLite's warranty does not cover TiLite Designs Unlimited frames and frame components, unless TiLite determines that the frame or frame component was defectively manufactured.



THE ULTIMATE RIDE.®
 tilite.com
 2701 West Court Street | Pasco, Washington 99301
 509.586.6117 Tel | 800.545.2266 Toll-Free
 509.586.2413 Fax | 866.586.2413 Toll-Free Fax

SPECIAL INSTRUCTIONS

TiLite®DU_0092 REV A

DEALER INFORMATION

Dealer Name:

Customer Name:

Account Number:

PO Number:

DESIGNS UNLIMITED

Please Fax This Page with the Order Form to **TiLite Customer Service 866.586.2413 or 509.586.2413**

FIXED CARBON FIBER SIDE GUARD

Part Number: DU100085

Price: \$435.00

Please allow an additional 2-3 weeks for delivery

Available On: TiLite ZR and ZRA.

Requirements:

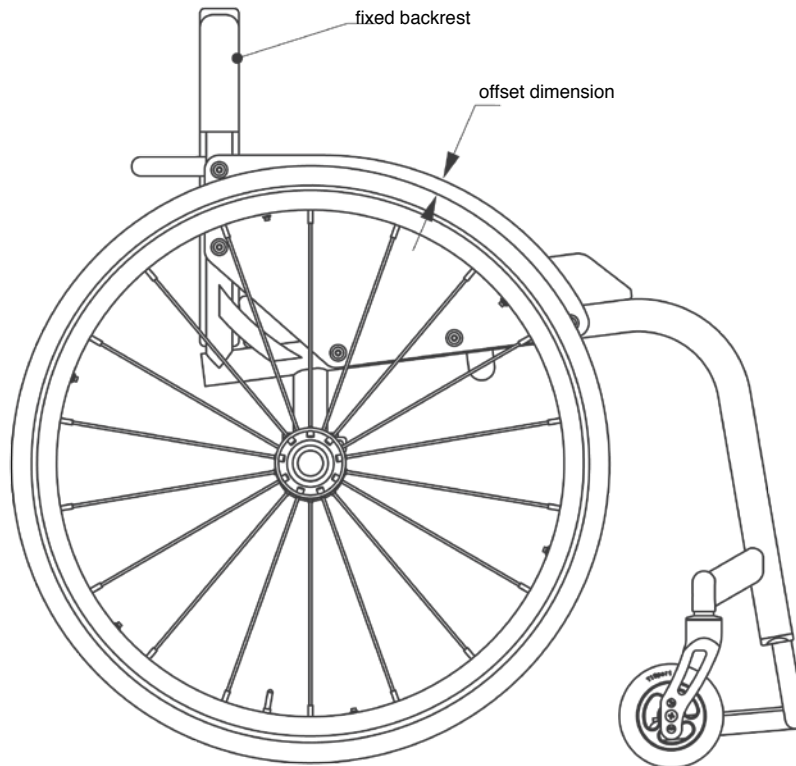
- Fixed Carbon Fiber SIDE GUARD only available with DU100013 or DU100019.

Modifications:

- Custom fixed carbon fiber SIDE GUARD fabricated to be non-removable.

Fixed Carbon Fiber SIDE GUARD

- Side Guard Profiled to Height of Tire.
- Side Guard Profile Higher than Tire.
 - 1/2" Higher 1" Higher 1-1/2" Higher
 - 2" Higher
- Side Guard Profile Lower than Tire.
 - 1/2" Lower 1" Lower 1-1/2" Lower
 - 2" Lower Other: _____
- Custom SIDE GUARD Shape (sketch below)



△ **NOTE:** TiLite's warranty does not cover TiLite Designs Unlimited frames and frame components, unless TiLite determines that the frame or frame component was defectively manufactured.



THE ULTIMATE RIDE.®
 tilite.com
 2701 West Court Street | Pasco, Washington 99301
 509.586.6117 Tel | 800.545.2266 Toll-Free
 509.586.2413 Fax | 866.586.2413 Toll-Free Fax

SPECIAL INSTRUCTIONS

TiLite®DU_0092 REV A

DEALER INFORMATION

Dealer Name:	Customer Name:
Account Number:	PO Number:

DESIGNS UNLIMITED

Please Fax This Page with the Order Form to **TiLite Customer Service 866.586.2413 or 509.586.2413**

MIXED COLOR ANODIZED PARTS

Part Number: DU100087	Price: \$ 100.00
Please allow an additional week for delivery	

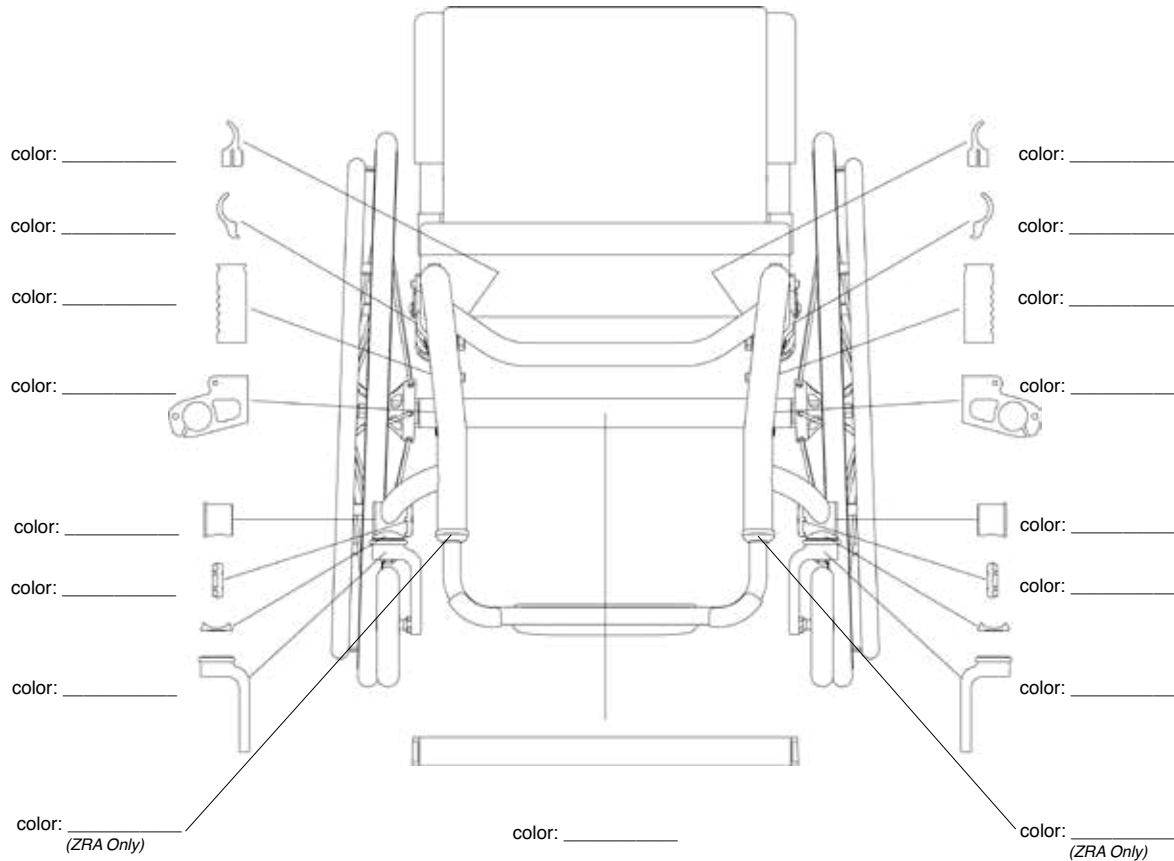
Available On: TiLite ZRA, Aero Z and Twist.

Modifications:
- Chair assembled with multicolored parts.

Notes:
- Fork spacers may not be included on assembled chair.
- Fill in blanks next to each part with desired color.

Available Colors

- Black
- Sapphire
- Red Pepper
- Burnt Orange
- Sub-Lime
- Ultraviolet



△ **NOTE:** TiLite's warranty does not cover TiLite Designs Unlimited frames and frame components, unless TiLite determines that the frame or frame component was defectively manufactured.



THE ULTIMATE RIDE.®
tilite.com
2701 West Court Street | Pasco, Washington 99301
509.586.6117 Tel | 800.545.2266 Toll-Free
509.586.2413 Fax | 866.586.2413 Toll-Free Fax

SPECIAL INSTRUCTIONS

TiLite®DU_0092 REV A

DEALER INFORMATION

Dealer Name:	Customer Name:
Account Number:	PO Number:

DESIGNS UNLIMITED

Please Fax This Page with the Order Form to **TiLite Customer Service 866.586.2413 or 509.586.2413**

MIXED COLOR ANODIZED PARTS

Part Number: DU100088	Price: \$ 100.00
Please allow an additional week for delivery	

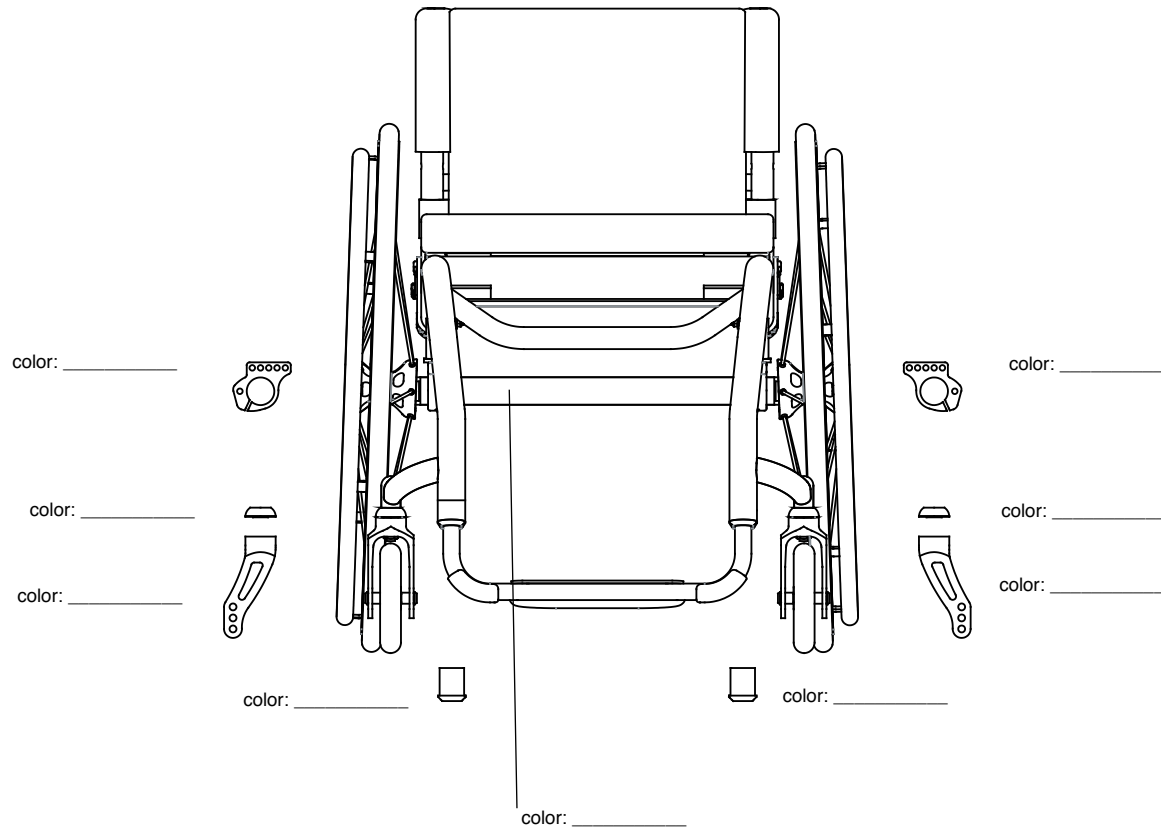
Available On: TiLite ZR.

Modifications:
- Chair assembled with multicolored parts.

Notes:
- Fork spacers may not be included on assembled chair.
- Fill in blanks next to each part with desired color.

Available Colors

- Black
- Sapphire
- Red Pepper
- Burnt Orange
- Sub-Lime
- Ultraviolet



△ **NOTE:** TiLite's warranty does not cover TiLite Designs Unlimited frames and frame components, unless TiLite determines that the frame or frame component was defectively manufactured.



THE ULTIMATE RIDE.®
tilite.com
2701 West Court Street | Pasco, Washington 99301
509.586.6117 Tel | 800.545.2266 Toll-Free
509.586.2413 Fax | 866.586.2413 Toll-Free Fax

SPECIAL INSTRUCTIONS

DEALER INFORMATION

Dealer Name:

Customer Name:

Account Number:

PO Number:

DESIGNS UNLIMITED

Please Fax This Page with the Order Form to **TiLite Customer Service 866.586.2413 or 509.586.2413**

CUSTOM SEAT WIDTH AND SEAT DEPTH COMBINATIONS

Part Number: DU100089

Price: \$ 100.00

Please allow an additional week for delivery

Available On: TiLite Twist.

Modifications:

- Choose any Seat Width **A** in combination with any Seat Depth **B**.

Notes:

-See Twist order form for other restrictions.

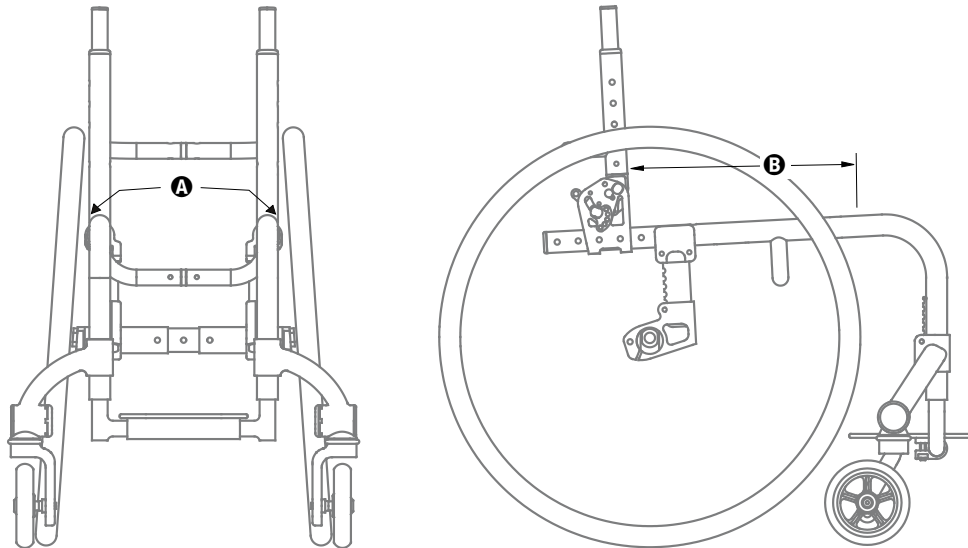
SEAT WIDTH A Measure from outside of seat tube at back post to the outside of the opposite seat tube at back post. All upholstery (except cushion) and components (except TiShaft Back Release Bar available at no charge upon request) needed to grow the Twist Seat Width are included. *(Seat Width grows 2" on all widths except 14" which is 1" and 15" which has no growth.)*

TWSW5 8" 9" 10" 11" 12" 13" 14" 15"

SEAT DEPTH B Measure from front of back post to the front edge of seat sling. Front edge of seat sling will be 1.5" from the beginning of the bend on No Taper and Tapered Frames, and 2" from the beginning of the bend on Abduction Frames. All Upholstery (except cushion) and components needed to grow the Twist Seat Depth are included. *(Seat Depth grows 3" on all depths except 14" which is 2", 15" which is 1" and 16" which has no growth.)*

TWSD4 8" 9" 10" 11" 12" 13" 14" 15"
 16"

TWSD3 Custom Frame Depth: _____" Frame Depth Longer or Shorter Than Seat Depth.



△ **NOTE:** TiLite's warranty does not cover TiLite Designs Unlimited frames and frame components, unless TiLite determines that the frame or frame component was defectively manufactured.



THE ULTIMATE RIDE.®
tilite.com
2701 West Court Street | Pasco, Washington 99301
509.586.6117 Tel | 800.545.2266 Toll-Free
509.586.2413 Fax | 866.586.2413 Toll-Free Fax

SPECIAL INSTRUCTIONS

TiLite®DU_0092 REV A

DEALER INFORMATION

Dealer Name: _____ Customer Name: _____
 Account Number: _____ PO Number: _____

DESIGNS UNLIMITED

Please Fax This Page with the Order Form to **TiLite Customer Service 866.586.2413 or 509.586.2413**

MIXED COLOR ANODIZED PARTS

Part Number: DU100091 Price: \$ 100.00
 Please allow an additional week for delivery

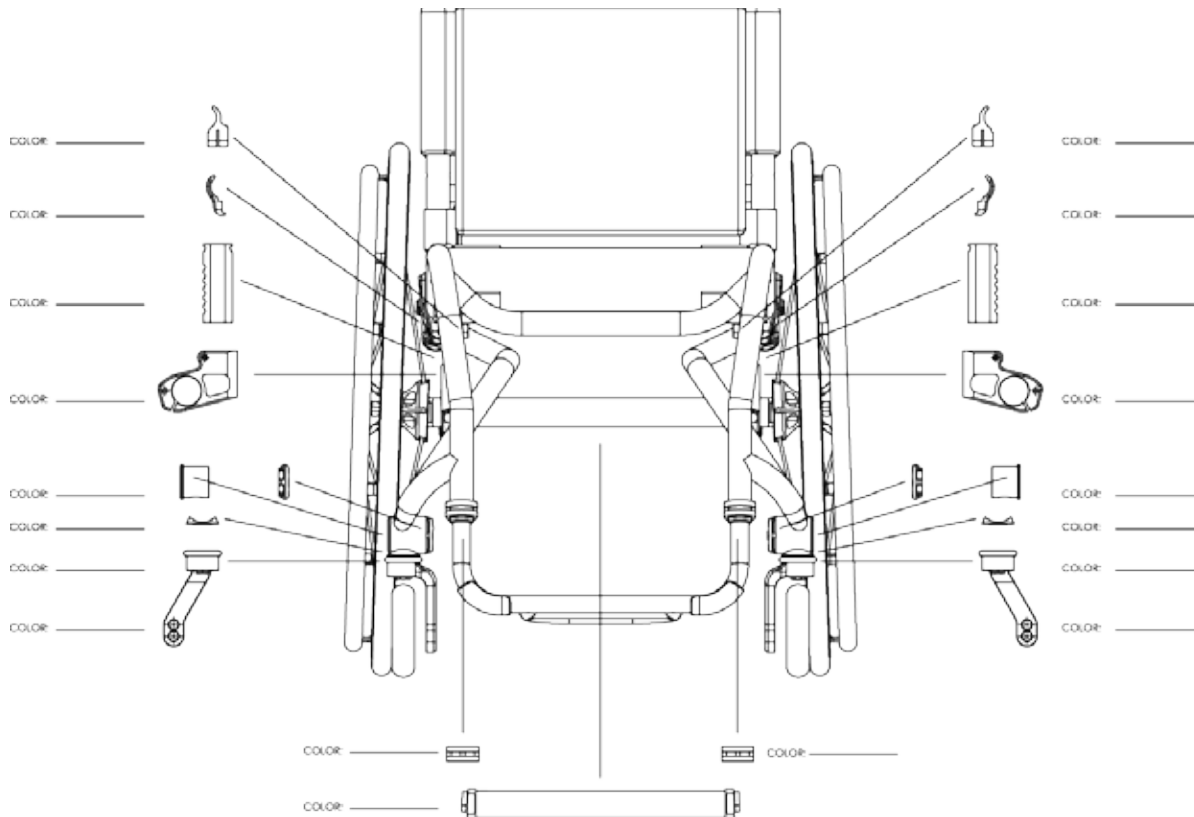
Available On: TiLite Aero T.

Modifications:
 - Chair assembled with multicolored parts.

Notes:
 - Fork spacers may not be included on assembled chair.
 - Fill in blanks next to each part with desired color.

Available Colors

- Black
- Sapphire
- Red Pepper
- Burnt Orange
- Sub-Lime
- Ultraviolet



△ **NOTE:** TiLite's warranty does not cover TiLite Designs Unlimited frames and frame components, unless TiLite determines that the frame or frame component was defectively manufactured.



THE ULTIMATE RIDE.®
 tilite.com
 2701 West Court Street | Pasco, Washington 99301
 509.586.6117 Tel | 800.545.2266 Toll-Free
 509.586.2413 Fax | 866.586.2413 Toll-Free Fax

SPECIAL INSTRUCTIONS

DEALER INFORMATION

Dealer Name:

Customer Name:

Account Number:

PO Number:

DESIGNS UNLIMITEDPlease Fax This Page with the Order Form to **TiLite Customer Service 866.586.2413 or 509.586.2413****24" x 2" (50-540) KENDA KOBRA TIRE**

Part Number: DU100092

Price: \$ 70.00 pair

Please allow an additional 2-3 weeks for delivery

Semi Slick tread design features a flat center with knobs on the outside, making this a great tire for going from one terrain to the other without having to change the tires.

- CAP (Cassing Added Protection) 65 % more puncture Protection
- Smooth Center and Knobby sides

Available On: TiLite ZR, ZRA, TR, TRA, TX, Aero T, Aero Z, Aero X, 2GX, and Aero R.

Requirements:

-Requires a 24" (540) Shadow or Spinerger rim. Not Available with Twin-Star or Topolino Rear Wheels.

△ **NOTE:** TiLite's warranty does not cover TiLite Designs Unlimited frames and frame components, unless TiLite determines that the frame or frame component was defectively manufactured.

**THE ULTIMATE RIDE.®**

tilite.com
2701 West Court Street | Pasco, Washington 99301
509.586.6117 Tel | 800.545.2266 Toll-Free
509.586.2413 Fax | 866.586.2413 Toll-Free Fax

SPECIAL INSTRUCTIONS

TiLite®DU_0092 REV A

DEALER INFORMATION

Dealer Name:

Customer Name:

Account Number:

PO Number:

DESIGNS UNLIMITED

Please Fax This Page with the Order Form to TiLite Customer Service 866.586.2413 or 509.586.2413

EXTRA SMALL ALUMINUM SIDEGUARD

Part Number: DU100093

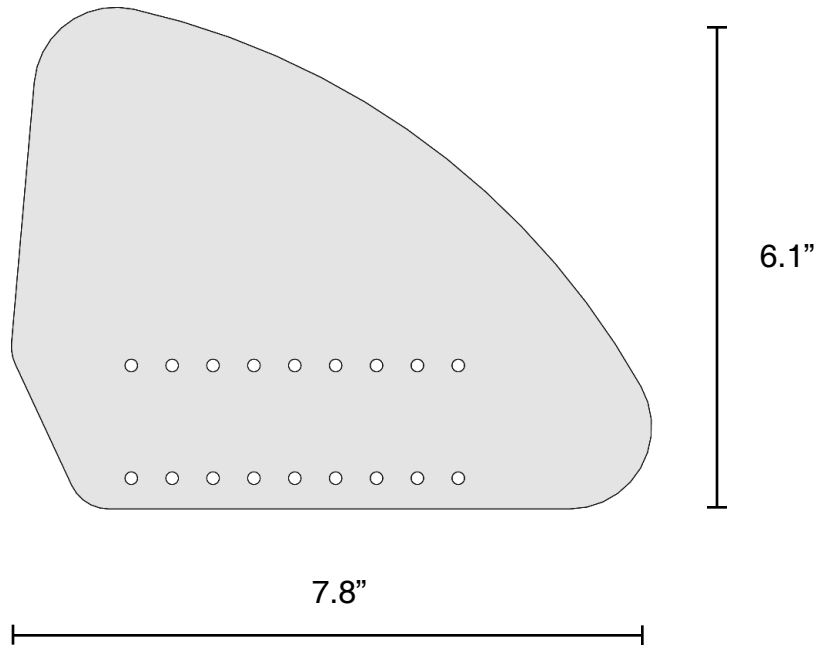
Price: \$ 175.00

Please allow an additional week for delivery

Available On: ZR, ZRA, Aero Z, TR, TRA, Aero T, TX, Aero X 2GX, Aero R

Requirements: Only available when aluminumsideguards are selected

Notes: May not work in certain chair configurations



△ **NOTE:** TiLite's warranty does not cover TiLite Designs Unlimited frames and frame components, unless TiLite determines that the frame or frame component was defectively manufactured.



THE ULTIMATE RIDE.®

tilite.com
 2701 West Court Street | Pasco, Washington 99301
 509.586.6117 Tel | 800.545.2266 Toll-Free
 509.586.2413 Fax | 866.586.2413 Toll-Free Fax

SPECIAL INSTRUCTIONS

TiLite®DU_0093 REV A

DEALER INFORMATION

Dealer Name:

Customer Name:

Account Number:

PO Number:

DESIGNS UNLIMITED

Please Fax This Page with the Order Form to TiLite Customer Service 866.586.2413 or 509.586.2413



ONE ARM DRIVE

Part Number: DU100094

Price: \$ 2,100.00

Please allow an additional 2 weeks for delivery

Available On: ZR, ZRA, Aero Z, TR, TRA, Aero T, Aero X 2GX, Aero R, Twist(minimum seat width 12")

Includes: Mag wheels

Requirements: If chair is a Twist a minimum seat width of 12"
This option is only available with 24" wheels

Notes: Off the shelf one arm drive unit will be purchased and parts will be made to retrofit to Tilitite chair

△ **NOTE:** TiLite's warranty does not cover TiLite Designs Unlimited frames and frame components, unless TiLite determines that the frame or frame component was defectively manufactured.



THE ULTIMATE RIDE.®

tilite.com
2701 West Court Street | Pasco, Washington 99301
509.586.6117 Tel | 800.545.2266 Toll-Free
509.586.2413 Fax | 866.586.2413 Toll-Free Fax

SPECIAL INSTRUCTIONS

TiLite®DU0094_REV_A

DEALER INFORMATION

Dealer Name:

Customer Name:

Account Number:

PO Number:

DESIGNS UNLIMITED

Please Fax This Page with the Order Form to TiLite Customer Service 866.586.2413 or 509.586.2413

POWER ADD-ON FRANK MOBILITY

Part Number: DU100095

Price: \$ 450.00

Please allow an additional week for delivery

Available On: Twist

Requirements: Aluminum casters, 0 degree camber

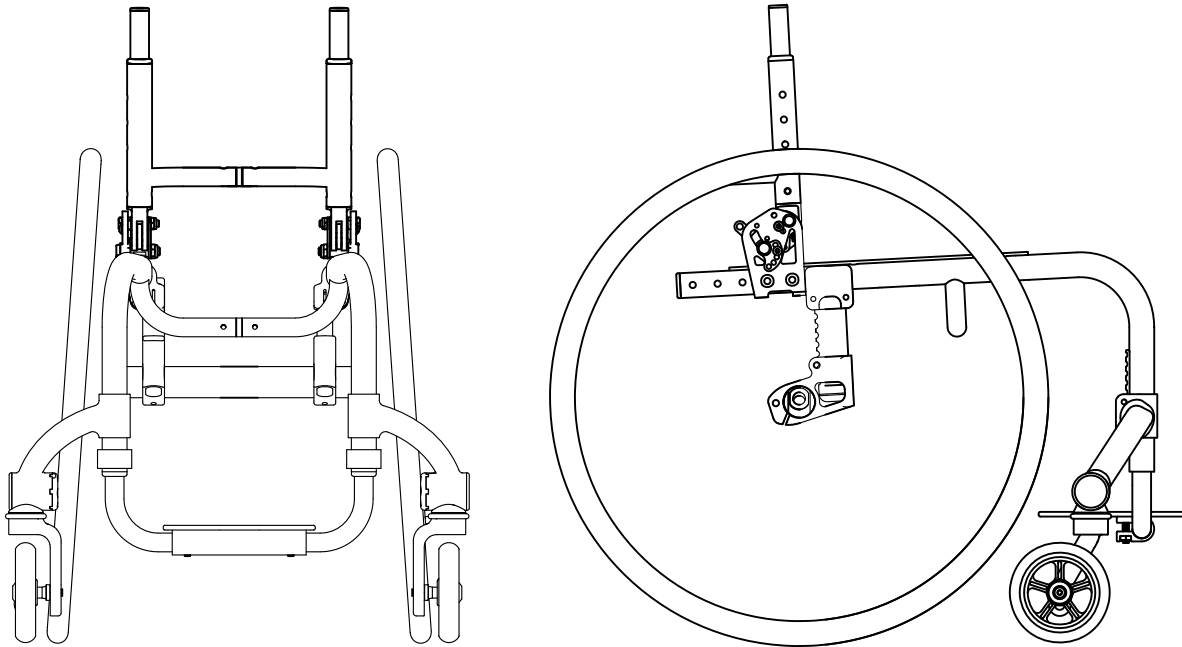
Notes: Power for Frank Mobility power add-on

Not available with Slipstream forks

Not available with center mount Antitip

This option comes with 3 camber tubes for growable width

Camber tubes come in silver only, no color options



△ **NOTE:** TiLite's warranty does not cover TiLite Designs Unlimited frames and frame components, unless TiLite determines that the frame or frame component was defectively manufactured.



THE ULTIMATE RIDE.®

tilite.com
 2701 West Court Street | Pasco, Washington 99301
 509.586.6117 Tel | 800.545.2266 Toll-Free
 509.586.2413 Fax | 866.586.2413 Toll-Free Fax

SPECIAL INSTRUCTIONS

TiLite®DU0095_REV_A

DEALER INFORMATION

Dealer Name:

Customer Name:

Account Number:

PO Number:

DESIGNS UNLIMITED

Please Fax This Page with the Order Form to TiLite Customer Service 866.586.2413 or 509.586.2413

NON-ADJUSTABLE AERO T TI UPGRADE

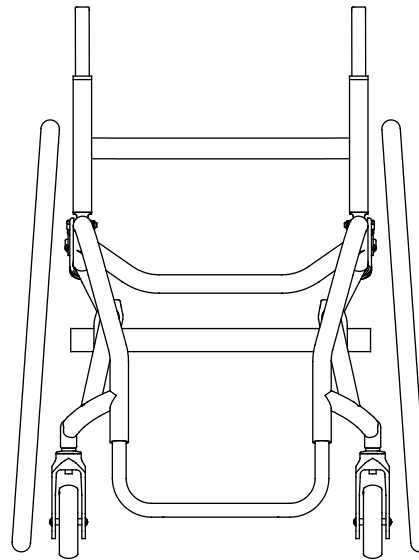
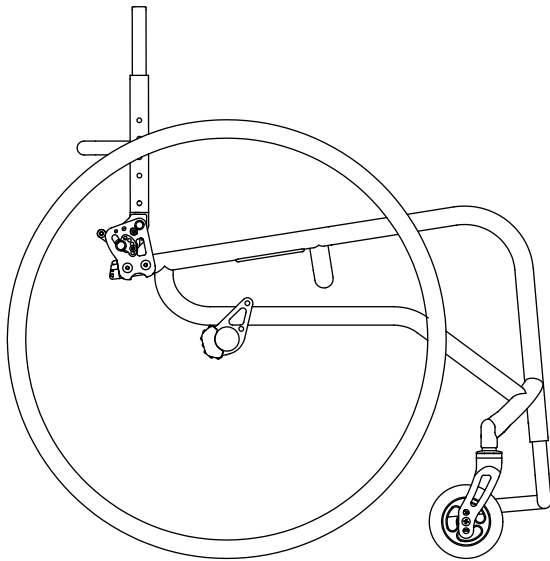
Part Number: DU100096

Price: \$ 1,495.00

No additional time needed

Available On: Aero T

Notes: Any items available for the TR is also available on this upgrade



△ **NOTE:** TiLite's warranty does not cover TiLite Designs Unlimited frames and frame components, unless TiLite determines that the frame or frame component was defectively manufactured.



THE ULTIMATE RIDE.®

tilite.com

2701 West Court Street | Pasco, Washington 99301

509.586.6117 Tel | 800.545.2266 Toll-Free

509.586.2413 Fax | 866.586.2413 Toll-Free Fax

SPECIAL INSTRUCTIONS

TiLite®DU0096_REV_A

DEALER INFORMATION

Dealer Name:

Customer Name:

Account Number:

PO Number:

DESIGNS UNLIMITED

Please Fax This Page with the Order Form to TiLite Customer Service 866.586.2413 or 509.586.2413

NON-ADJUSTABLE AERO Z TI UPGRADE

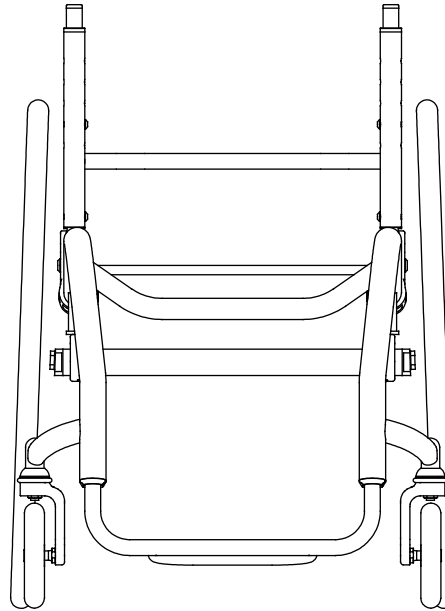
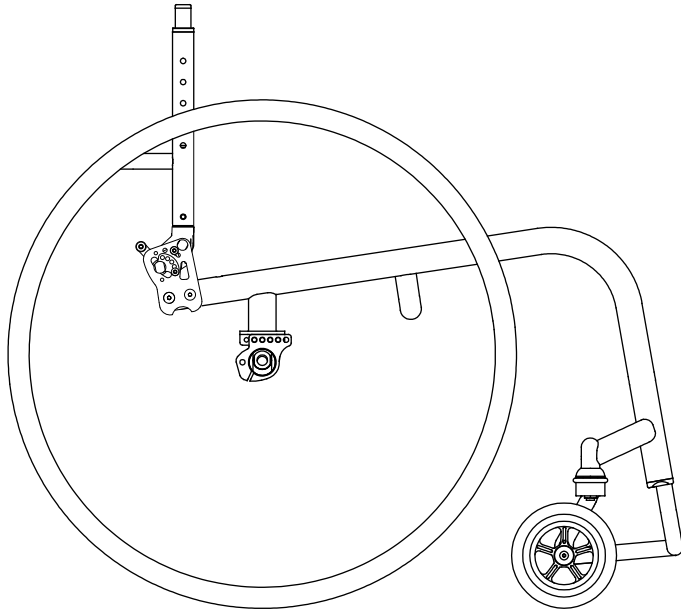
Part Number: DU100097

Price: \$ 1,595.00

No additional time needed

Available On: Aero Z

Notes: Any items available for the ZR are also available on this upgrade



△ **NOTE:** TiLite's warranty does not cover TiLite Designs Unlimited frames and frame components, unless TiLite determines that the frame or frame component was defectively manufactured.



THE ULTIMATE RIDE.®

tilite.com
 2701 West Court Street | Pasco, Washington 99301
 509.586.6117 Tel | 800.545.2266 Toll-Free
 509.586.2413 Fax | 866.586.2413 Toll-Free Fax

SPECIAL INSTRUCTIONS

TiLite®DU0097_REV_A

DEALER INFORMATION

Dealer Name:

Customer Name:

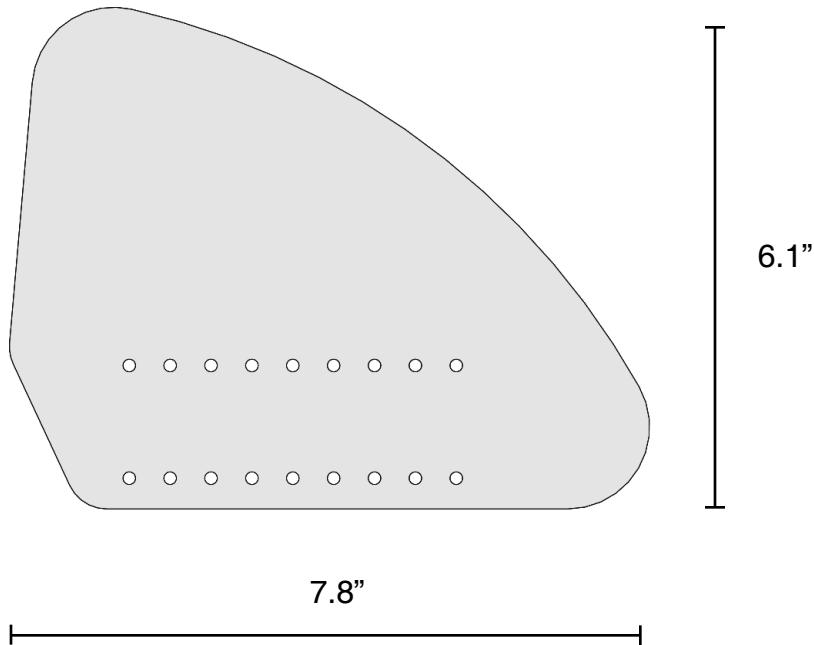
Account Number:

PO Number:

DESIGNS UNLIMITED

Please Fax This Page with the Order Form to TiLite Customer Service 866.586.2413 or 509.586.2413

(only 4 holes will be drilled into the sideguard)



EXTRA SMALL CARBON FIBER SIDEGUARD

Part Number: DU100098

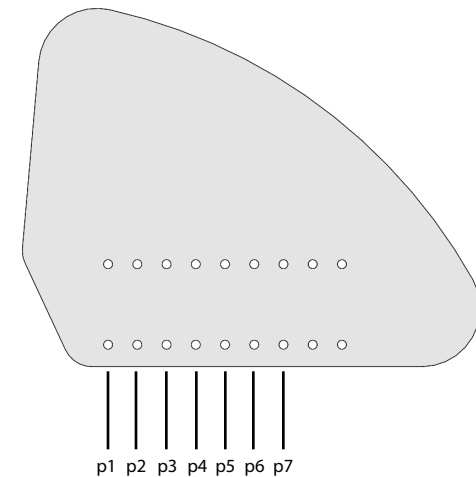
Price: \$ 270.00

Please allow an additional week for delivery

Available On: ZR, ZRA, Aero Z, TR, TRA, Aero T, TX, Aero X 2GX, Aero R

Requirements: Only available when carbon fiber sideguards are selected

Notes: May not work in certain chair configurations



Circle correct position (for assembly use only)

△ **NOTE:** TiLite's warranty does not cover TiLite Designs Unlimited frames and frame components, unless TiLite determines that the frame or frame component was defectively manufactured.



THE ULTIMATE RIDE.®

tilite.com
 2701 West Court Street | Pasco, Washington 99301
 509.586.6117 Tel | 800.545.2266 Toll-Free
 509.586.2413 Fax | 866.586.2413 Toll-Free Fax

SPECIAL INSTRUCTIONS

TiLite®DU0098_REV_A

DEALER INFORMATION

Dealer Name:	Customer Name:
Account Number:	PO Number:

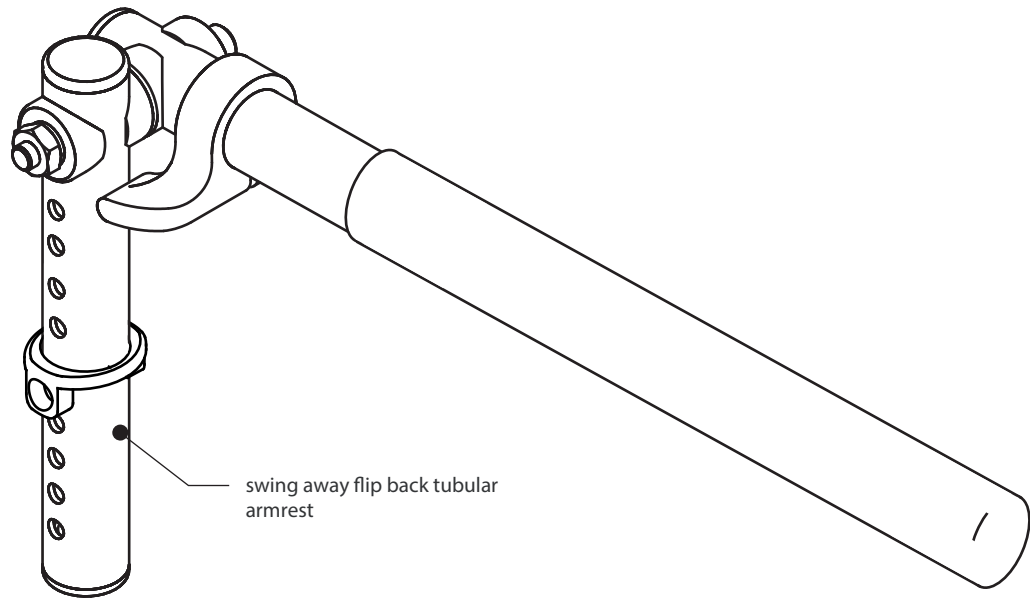
DESIGNS UNLIMITED

Please Fax This Page with the Order Form to TiLite Customer Service 866.586.2413 or 509.586.2413

6"-9" Swing Away - Flip Back Tubular Armrest	
Part Number: DU100099	Price \$275.00
No additional time needed for this modification	

Available on: TiLite TR, TRA, ZR, ZRA, Aero Z, Aero T, 2GX, and Aero X

Limitations:
There may be restrictions with various wheel size and rear seat height combinations.



△ **NOTE:** TiLite's warranty does not cover TiLite Designs Unlimited frames and frame components, unless TiLite determines that the frame or frame component was defectively manufactured.



THE ULTIMATE RIDE.®
 tilite.com
 2701 West Court Street | Pasco, Washington 99301
 509.586.6117 Tel | 800.545.2266 Toll-Free
 509.586.2413 Fax | 866.586.2413 Toll-Free Fax

SPECIAL INSTRUCTIONS

TiLite®DU0099_REV_A



tilite.com

P 800.545.2266 | 509.586.6117
F 866.586.2413 | 509.585.8703

2701 West Court Street, Pasco, Washington 99301