



TiLite Z - Order Form



Dealer Name*: _____ Account #*: _____
 City, State, Zip: _____
 Phone: _____ Email: _____ ATP: _____
 Rep Name: _____ P.O. Number: _____ Quote Number: _____
 Client Reference*: _____ Client Weight: _____
 Special considerations that need to be addressed here (e.g., diagnosis): _____ **Required field*

Frame Style

Aluminum Rigid Frame <i>Full adjustability.</i>	K0005, E1235	\$ 2,750.00
250lb Weight Limit		Standard
275lb Weight Limit		No charge
Aluminum Rigid Frame with Transit Tie-Downs <i>Full adjustability.</i>	K0005, E1235	\$ 2,995.00
250lb Weight Limit		Standard
275lb Weight Limit		No charge

Transit Options

Transit Tie-Down <i>Tested to WC-19. Consists of four tie-down brackets and two pelvic belt mounting brackets. Please refer to user manual for important information regarding Transit Tie-Down option.</i>	E1023	\$ 363.00
Transport Bracket Option <i>Consists of four tie-down brackets. Unoccupied use only.</i>	E1022	\$ 379.00

Frame Finishes

Frame Finishes:	High Gloss Black	Red Pepper	Neon Pink	Ocean Blue Metallic	No charge
	Tangerine Metallic	Acid Green Metallic	Midnight Blue Pearl	White Pearl	
	Black Lava	Titanium Grey	Pomegranate Red	Blue Mist	
	Indigo Purple	Hyper Blue	Flame Orange	OD Green	
	Silver Streak	Lavendar Dusk	Black Galaxy	Seafoam Green	
	Daffodil Yellow				

Color Anodize Package

Anodize Package:	Black							No charge
	Gold	Green	Purple	Orange	Blue	Red		\$ 195.00

Includes caster mount, caster fork and caster caps. If no anodize colour is selected, default will be black.

TiFit: Tailored Individualized Frame

Please refer to Reference Diagrams at end of form for more information.

Seat Width 'A' | Measure from outside of seat tube at back post to the outside of the opposite seat tube at back post.

Seat Width:	12"	13"	14"	15"	16"	17"	18"	19"	No charge
	20"								E2201 \$ 559.00

Seat Depth 'B' | Measure from front of back post to the front edge of seat sling.

Seat Depth:	12"	13"	14"	15"	16"	17"	18"	19"	No charge
	20"								E2203 \$ 675.00

Seat Width 'A'	12"	12"x12"	12"x13"	12"x14"	12"x15"	12"x16"	12"x17"	12"x18"		
	13"	13"x12"	13"x13"	13"x14"	13"x15"	13"x16"	13"x17"	13"x18"		
	14"		14"x13"	14"x14"	14"x15"	14"x16"	14"x17"	14"x18"	14"x19"	14"x20**
	15"		15"x13"	15"x14"	15"x15"	15"x16"	15"x17"	15"x18"	15"x19"	15"x20**
	16"		16"x13"	16"x14"	16"x15"	16"x16"	16"x17"	16"x18"	16"x19"	16"x20**
	17"			17"x14"	17"x15"	17"x16"	17"x17"	17"x18"	17"x19"	17"x20**
	18"			18"x14"	18"x15"	18"x16"	18"x17"	18"x18"	18"x19"	18"x20**
	19"			19"x14"	19"x15"	19"x16"	19"x17"	19"x18"	19"x19"	19"x20**
	20"					20"x16**	20"x17**	20"x18**	20"x19**	20"x20**
			12"	13"	14"	15"	16"	17"	18"	19"

Seat Depth 'B'

Custom Frame Depth | Measure from front of seat sling to beginning of frame bend. Frame bend will start 1" in front of seat sling unless custom frame depth is specified, or the combination of specifications affect the rolling dynamics of the chair.

Additional Frame Depth: 1" Standard
 0.5" 1.5" 2" No charge

Front Seat Height 'C' | Measure from floor to top of seat tube at front edge of seat sling.

Front Seat Height: 16" 16.5" 17" 17.5" 18" 18.5" 19" 19.5" 20" 20.5" 21"

Rear Seat Height 'D' | Measure from floor to top of seat tube at back post. Will be optimized to achieve desired rear seat height allowing +/- 1" adjustment.

Rear Seat Height: 13" 13.5" 14" 14.5" 15" 15.5" 16" 16.5" 17* 17.5" 18" 18.5"
 19" 19.5" 20"

Rear Wheel	20" (451)	13" - 18.5"
	22" (501)	14" - 19.5"
	24" (540)	15" - 20.5"
	25" (559)	15.5" - 20.5"
	26" (590)	16" - 20.5"

Rear Seat Height

Front Angle 'E' | Measure from frame front to floor.

Front Angle: 75° 80° 85° 90°

85° not available with 6" front wheels. 90° not available with 5" or 6" front wheels.

Center of Gravity 'F' | Measure from front of back post at the seat tube to the centre of the rear axle.

Center of Gravity: 1" 1.5" 2" 2.5" 3" 3.5" 4" 4.5" 5"

Amputee Axle Plate

E0959

\$ 225.00

Amputee axle plate is set to 1" behind back canes.

Footrest

Footrest Width 'G'

Seat Width 'A'	12"	9.5"	8"	
	13"	10.5"	9"	
	14"	11.5"	10"	
	15"	12.5"	11"	9"
	16"	13.5"	12"	10"
	17"	14.5"	13"	11"
	18"	15.5"	14"	12"
	19"	16.5"	15"	13"
	20"	17.5"	16"	14"

No Taper

1.5" Taper

3.5" Taper

Footrest Width 'G'

Standard Footrests

Seat to Footrest 'H': 13.5" 14" 14.5" 15" 15.5" 16" 16.5" 17" 17.5" 18" 18.5" 19"

Measure from front edge of seat sling to top rear of footrest. Must allow for at least 2" of ground clearance.

Aluminum Open Loop Footrest

No charge

Angle Adjustable Footrest

K0040

\$ 185.00

Angle Adjustable Flip-Back Footrest

K0040

\$ 244.00

High Mount Footrests | *Taper will affect displayed ranges.*

Seat to Footrest 'H': 7"-9" (4" risers) 9"-11" (2" risers) 11"-13"

Set at

Measure from front edge of seat sling to top rear of footrest. Measurement must be at least 2" shorter than front seat height.

Angle Adjustable High Mount Footrest K0037, K0040 \$ 155.00

Footrest Accessories

Safe Tread Non-Skid Adhesive Patches \$ 20.00

ABS Footrest Cover *Only for open loop footrest.* \$ 30.00

Clamp On Residual Limb Support

Residual Limb Support, 8"W x 10"L, Single \$ 495.00

Install on Left Install on Right E1020

Residual Limb Support, 8"W x 10"L, Pair E1020 \$ 895.00

Calf Straps

Velcro Adjustable Calf Strap *Select footrest width range.* \$ 44.00

Small (9"-12") Medium (11"-15") Large (14"-17") Extra Large (16"-19") K0038

Bodypoint Padded Calf Strap, Velcro Adjustable *Select footrest width range.* \$ 109.00

Small (8"-11") Medium (11"-15") Large (16"-19") K0038

Buckle Adjustable Calf Strap, Black Nylon Webbing K0038 \$ 50.00

Backrest

Back Type

Folding Aluminum Adjustable Height Back No charge

Back Options

Locking Backrest *Locks in up and down positions.* No charge

Non-Locking Backrest *Locks in up position only.* No charge

Depth Adjustable Back Frame *Not available with 19"-20" seat depths. Allows 2" of rearward adjustment in 1" increments. Bolt on height adjustable push handles have a limited height range with this option.* \$ 185.00

Rigidizer Bar No charge

3" Deep (Standard) 4" Deep

Push Handles

Integrated Push Handles No charge

Integrated Fold-Down Push Handles *Requires tension adjustable by straps back upholstery.* \$ 125.00

Bolt-On Height-Adjustable Push Handles *Requires 4" deep backrest rigidizer bar.* \$ 363.00

Omit Push Handles No charge

Back Height 'I' | *Set at 0.5" increments.*

Push Handles	None / Bolt-On	9" - 11.5"	12" - 15.5"	16" - 20.5"	Set at:
	Integrated	10" - 12.5"	13.5" - 16.5"	17.5" - 20.5"	Set at:
	Fold-Down	12" - 13.5"	14" - 17.5"	18" - 20.5"	Set at:
		Short	Medium	Tall	Specify
Back Height 'I'					

Back Angle 'J' | *Measure angle from front of back post to floor.*

Back Angle: 80° 83° 86° 89° 92° 95° 98° 101°

Back Supports

Back Upholstery

Standard Back Upholstery, Tension Adjustable *Includes privacy flap.*

AIR Breathable Back Upholstery, Tension Adjustable *Includes privacy flap.*

E2611, E2612 \$ 369.00

Removable Lumbar Contour Pack Removable Lateral Contour Pack

Omit Back Upholstery

No charge

4" Military Service Patch

\$ 115.00

Army Navy Air Force Marines Coast Guard Purple Heart

ROHO Back Supports | See information at end of form regarding product shipment.

ROHO Agility Active Aluminium Back, Min Contour with Foam *Inc fixed hardware. Select shell height.*

E2620 \$ 738.00

ROHO Agility Active Aluminium Back, Mid Contour with Foam *Inc fixed hardware. Select shell height.*

E2620 \$ 738.00

8" 10"

ROHO Privacy Shield

\$ 65.00

ROHO Agility Carbon Back, Min Contour with Foam/Air Insert *Inc fixed hardware. Select shell height.*

E2620 \$ 1,202.00

ROHO Agility Carbon Back, Mid Contour with Foam/Air Insert *Inc fixed hardware. Select shell height.*

E2620 \$ 1,202.00

10" 13" 16"

ROHO Privacy Shield

\$ 65.00

Comfort Back Supports | Backs over 20" wide or tall subject to increased pricing. See information at end of form regarding product shipment.

Comfort Unite 1 Back *Replaces Comfort Acta-Back. Inc 2-Point Quick Release Compass Hardware. Select shell height.*

E2620, E2621 \$ 712.00

12" 14" 16" 18" 20" 22"

Comfort-Tek Cover **Diamond Spacer Cover**

Comfort Privacy Flap

\$ 52.00

Comfort Embrace Back *Replaces Comfort Acta-Embrace. Inc 2-Point Quick Release Compass Hardware. Select shell height.*

E2613, E2614 \$ 700.00

10" 12" 14" 16" 18" 20" 22"

Comfort-Tek Cover **Diamond Spacer Cover**

Comfort Privacy Flap

\$ 52.00

Comfort Relief Back *Replaces Comfort Acta-Relief. Inc 2-Point Quick Release Compass Hardware. Select shell height.*

E2620 \$ 886.00

10" 12" 14" 16" 18" 20" 22"

Comfort-Tek Cover **Diamond Spacer Cover**

Comfort Privacy Flap

\$ 52.00

Seat Options

Seat Upholstery

Tension Adjustable Seat Upholstery, Black

Aluminum Solid Seat Pan *Limited sizes available, visit the Permobil Store for more information.*

E2231 \$ 309.00

Omit Seat Upholstery

Seat Cushions | Cushions over 20" wide subject to increased pricing. See information at end of form regarding product shipment.

Comfort Curve Cushion *Comfort-Tek cover.*

E2601, E2602 \$ 122.00

Comfort Acta-Embrace™ Zero Elevation Cushion *Comfort-Tek cover.*

E2607, E2608 \$ 428.00

Comfort M2 Zero Elevation Cushion *Comfort-Tek cover.*

E2607, E2608 \$ 474.00

ROHO Single Compartment Cushion	E2622, E2623	\$ 534.00
Low Profile Mid Profile High Profile		
ROHO Quadtro Select Cushion	E2624, E2625	\$ 534.00
Low Profile Mid Profile High Profile		
ROHO Hybrid Elite Cushion	E2622, E2623	\$ 552.00
Single Compartment Dual Compartment		
ROHO Hybrid Select Cushion	E2624	\$ 571.00

Front Forks

TiLite Standard Fork		Standard
TiLite Slipstream Single-Sided Fork		\$ 185.00
Glide Suspension Fork <i>Black anodize only. Select user weight (maximum 265lb).</i>	E1015	\$ 526.00
125lbs 125-180lbs 180-265lbs		

Front Wheels

3"x1.4" LiteSpeed-7 Billet Aluminum Wheel w/Soft Roll Tire		\$ 205.00
Silver Hub Black Hub		
4"x0.75" Plastic Wheel w/Poly Tire		\$ 65.00
4"x0.75" Light-Up Micro Caster		\$ 125.00
4"x1.4" LiteSpeed-7 Plastic Wheel w/Soft Roll Tire		No charge
4"x1.4" LiteSpeed-7 Billet Aluminum Wheel w/Soft Roll Tire		\$ 217.00
Silver Hub Black Hub		
5"x1" Plastic Wheel w/Poly Tire <i>Not available with 90° front frame or slipstream fork.</i>		\$ 65.00
5"x1.4" LiteSpeed-7 Plastic Wheel w/Soft Roll Tire <i>Not available with 90° front frame.</i>		No charge
5"x1.4" LiteSpeed-7 Billet Aluminum Wheel w/Soft Roll Tire <i>Not available with 90° front frame.</i>		\$ 233.00
Silver Hub Black Hub		
6"x1" Plastic Wheel w/Poly Tire <i>Not available with 85°-90° front frame or slipstream fork.</i>		\$ 65.00
6"x1.4" LiteSpeed-7 Plastic Wheel w/Soft Roll Tire <i>Not available with 85°-90° front frame or slipstream fork.</i>		No charge
6"x1.4" LiteSpeed-7 Billet Aluminum Wheel w/Soft Roll Tire <i>Not available with 85°-90° front frame or slipstream fork.</i>		\$ 244.00
Silver Hub Black Hub		

Rear Wheels

See rear seat height ranges chart for rear seat height limitations.

TiLite Standard Rear Wheel <i>Select size. When ordering 24" wheels with treaded pneumatic or treaded tire with airless inserts and aluminum silver or aluminum black handrims with long tabs, the chair will ship with TiLite Standard rear wheels. Otherwise, the chair will ship TiLite Shadow™ rear wheels.</i>		No charge
20" (451) 22" (501) 24" (540) 25" (559) 26" (590)		
Spinergy SPOX Rear Wheel <i>Select size and spoke color.</i>		\$ 1,195.00
20" (451) 22" (501) 24" (540) 25" (559) 26" (590)		
Black Red Blue White		
Spinergy LX Rear Wheel <i>Select size and spoke color.</i>		\$ 1,295.00
22" (501) 24" (540) 25" (559) 26" (590)		
Black Red Blue White Orange Pink Purple		
Spinergy Design Lab LX Rear Wheel <i>Black spokes only. Select size and anodizing color.</i>		\$ 1,995.00
22" (501) 24" (540) 25" (559) 26" (590)		
Gold Green Blue Red Purple Orange		
X-Core Mag Rear Wheel <i>Select size. Not available with short tabs, quad release axles, spoke guard or omit handrims options. Requires aluminum silver anodized handrims.</i>		\$ 225.00
20" (451) 22" (501) 24" (540)		

Camber 'K'

Camber Angle: 0° 2° 4° 6°

Rear wheel spacing will be set to minimum value allowed by your configuration.

Axles

Stainless Quick Release Axle	No charge
Quad Release Axle <i>Not available with Mag or 24"/25" Spinergy Spox or LX rear wheels.</i>	\$ 169.00

Pneumatic Rear Tires

Treaded Tire 20" (451), 22"(501), 24"(540), 26"(590) <i>Not available with 25" rear wheels.</i>	No charge
Treaded Tire w/Airless Inserts <i>Not available with 25" rear wheels.</i>	E2213 \$ 145.00
MBL SpeedLite Tire 20" (451), 22"(501), 24"(540), 25"(559), 26"(590)	No charge
Primo Sentinel Tire 20" (451), 22"(501), 24"(540), 25"(559), 26"(590)	\$ 159.00
Schwalbe Marathon Plus Evolution Tire 24"(540), 25"(559), 26"(590) <i>Not available with Mag or 20"-22" rear wheels.</i>	\$ 169.00
Primo C-764 Knobby Tire 24"(540) <i>24" rear wheels only.</i>	\$ 129.00

Solid Rear Tires

Primo Orion Tire 20" (451), 22"(501), 24"(540), 25"(559) <i>Not available with 26" rear wheels.</i>	\$ 160.00
Primo Active Tire 24"(540), 25"(559) <i>Available with 24" and 25" rear wheels only.</i>	\$ 160.00

Handrims

Aluminum Handrim	No charge
Silver Anodized Black Anodized	
Q-Grip Handrim <i>Exclusive high-friction, anti-slip coating. Not available with 20" rear wheels.</i>	\$ 495.00
Plastic Coated Handrim, Black	\$ 174.00
The Surge Handrim <i>Large profile. All-In-One oval with Gription strip. Not available with 20" rear wheels.</i>	\$ 495.00
The Surge LT Handrim <i>Small profile. All-In-One oval with Gription strip. Not available with 20" rear wheels.</i>	\$ 466.00
The Natural-Fit Handrim, Standard Grip <i>Original, large profile. Not with short tabs.</i>	\$ 428.00
The Natural-Fit Handrim, Super Grip <i>Original, large profile. Not with short tabs.</i>	\$ 466.00
The Natural-Fit Handrim, Without Thumb Grip <i>Original, large profile.</i>	\$ 390.00
The Natural-Fit LT Handrim, Standard Grip <i>Reduced weight, small profile. Not with short tabs.</i>	\$ 450.00
The Natural-Fit LT Handrim, Super Grip <i>Reduced weight, small profile. Not with short tabs.</i>	\$ 514.00
The Natural-Fit LT Handrim, Without Thumb Grip <i>Reduced weight, small profile.</i>	\$ 423.00
Omit Handrims	No charge

Handrim Tab Length

Long Tabs	Standard
Short Tabs <i>Not available with Mag rear wheels or The Natural-Fit handrims with thumb grip.</i>	\$ 39.00

Spoke Guards

Clear Lexan Spoke Guards with TiMotion Logo <i>Not available with Mag rear wheels.</i>	K0065 \$ 179.00
---	-----------------

Wheel Locks

Aluminum Push to Lock	No charge
Aluminum Pull to Lock	No charge
Extension Handles for Aluminum Push/Pull to Lock	E0961 \$ 75.00
Compact Composite Push to Lock	\$ 129.00
Compact Composite Pull to Lock	\$ 129.00
Extension Handles for Compact Composite Push/Pull to Lock	E0961 \$ 93.00
MBL Composite Scissor Lock	\$ 158.00
MBL Performance Scissor Lock	\$ 175.00
Grade Aids, Push to Lock <i>Requires pneumatic tires.</i>	E0974 \$ 395.00

Side Guards

Aluminum Rigid Side Guards, Removable <i>Select size.</i>	E0956, E1034	\$ 217.00
Small Standard		
Aluminum Quad Side Guards, Removable w/Hole <i>Select size.</i>	E0956, E1034	\$ 233.00
Small Standard		
Aluminum Fold Down Side Guards, Rigid <i>Select size.</i>	E0956, E1034	\$ 363.00
Small Standard		

Armrests

Omit Armrests		No charge
Fixed Height Non-Removable Armrests		No charge
Short Tall		
Height Adjustable Tubular Armrests	E0973	\$ 244.00
6.5"-9.5" 9.5"-12.5"		
Height Adjustable Flip Back Tubular Armrests <i>Height adjustable between 8.5"-11.5".</i>	E0973	\$ 342.00
Height Adjustable Tubular Armrests with Side Guards	E0973	\$ 425.00
6.5"-9.5" 9.5"-12.5"		
Removable Height Adjustable T-Style Armrests <i>Requires 15" minimum seat depth.</i>	E0973	\$ 375.00
8"-12" 10"-14"		
Desk (10") Full (14")		

Positioning Belts

Velcro Adjustable Belt, Black Nylon Webbing	E0978	\$ 61.00
Bodypoint 1" Belt, Push-Button Padded (Auto Style) <i>Not available with 19" or 20" rear seat widths.</i>	E0978	\$ 185.00
Bodypoint 1.5" Belt, Push-Button Padded (Auto Style) <i>Not available with 19" or 20" rear seat widths.</i>	E0978	\$ 196.00
Bodypoint 2" Belt, Push-Button (Auto Style)	E0978	\$ 103.00
Bodypoint EvoFlex Pelvic Stabilizer, Push Button	E0978	\$ 201.00
Q'Straint WC-19 Wheelchair Anchored Pelvic Belt <i>Recommended for use with transit tie down.</i>	E0978	\$ 217.00
Bodypoint Optional Band Clamp Mounting Hardware		\$ 70.00

Accessories

Anti-Tips

Rear Anti-Tips, Aluminum Black	E0971	\$ 174.00
Rear Anti-Tips, User Friendly Flip-Up	E0971	\$ 363.00

Soft Good Accessories

Permobil Medical Necessities Backpack		\$ 103.00
Permobil Medical Necessities Seat Pouch		\$ 66.00
Bodypoint Mobility Bag		\$ 109.00
Neoprene Impact Guards, Black <i>Not available with high mount footrests.</i>		\$ 195.00

Functional Accessories

Upper Extremity Support Tray <i>Requires T-style armrests.</i>		\$ 315.00
12"-14" seat widths 13"-15" seat widths	E0950	
Luggage Carriers		\$ 158.00
Crutch Holder	E2207	\$ 244.00
Left Right		

SmartDrive Power Assist System

Permobil SmartDrive MX2+ <i>Not available with rear seat heights less than 13.5". SmartDrive apps available on Apple App Store and Google Play Store for Apple Watch Series 5 or newer, and Samsung Galaxy Watch 4 or newer.</i>	E0986	\$ 7,529.00
Switch Control Buttons		No charge
SwitchControl Button with Mono Jack Option		No charge
Buddy Button <i>For use with SwitchControl button with mono jack option.</i>		No charge
Carrying Bag		\$ 84.00
Universal Padded Handle		\$ 22.00

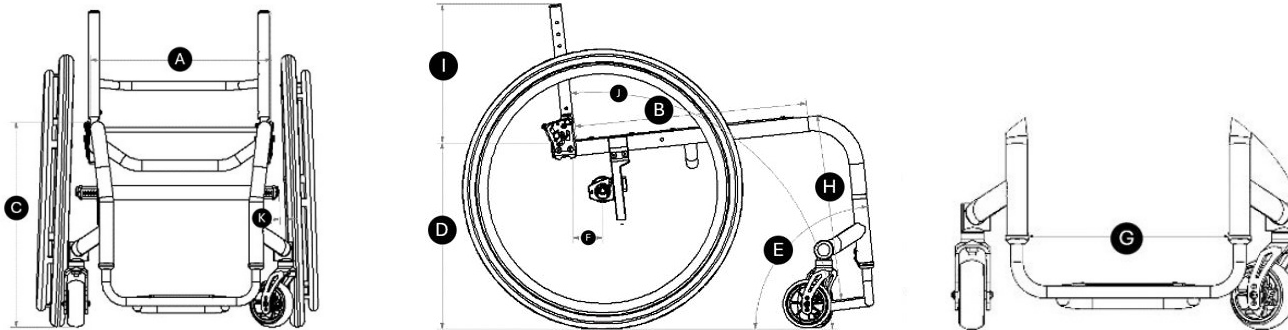
General

Permobil manufactures TiLite manual wheelchairs in a wide variety of configurations to meet the varied needs of wheelchair users. The final selection of a particular model, its options and accessories, and its measurements rests solely with the wheelchair user and the advising healthcare professional. These wheelchairs must be fitted by a qualified healthcare professional. HCPCS Codes are for reference purposes only. Actual coding and coverage varies by payer. Proper HCPCS coding is not a guarantee of payment. Please verify the appropriate payer's coverage policy. Prices, standard features, options and accessories are subject to change without notice. All rights reserved.

Notes

Measurement Guide

- A Seat Width** *Measure from outside of seat tube at back post to outside of opposite seat tube at back post.*
- B Seat Depth** *Measure from front of back post to front edge of seat sling. Frame bend will start 1" in front of seat sling unless Custom Frame Depth is specified. Custom Frame Depth is measured from front of seat sling to beginning of frame bend.*
- C Front Seat Height** *Measure from floor to top of seat tube at front edge of seat sling.*
- D Rear Seat Height** *Measure from floor to top of seat tube at back post.*
- E Front Angle** *Measure from front frame to floor.*
- F Center of Gravity** *Measure from front of back post at seat tube to center of rear axle.*
- G Footrest Width** *Measure from inside of front frame tube to inside of opposite front frame tube.*
- H Seat to Footrest** *Measure from front edge of seat sling to top rear of footrest.*
- I Back Height** *Measure from top of back post to top of seat tube at rear of frame.*
- J Back Angle** *Measure angle from front of back post to floor.*
- K Camber** *This will affect overall width of chair.*



Seating and Positioning Shipping Information

The following Seating and Positioning products will ship with the chair. Cushions are stocked with Comfort-Tek covers and backs are stocked with Stretch Air covers. All other Seating and Positioning products will be drop-shipped from the manufacturer. (Width x Depth)

Shipped With
Chair

16"x16"	16"x18"	16"x16"	16"x16"	16"x16"	16"x16"
16"x18"	18"x16"	16"x18"	18"x16"	16"x18"	18"x18"
18"x18"	18"x18"	18"x18"	18"x18"	18"x18"	20"x16"
			20"x16"		20"x18"
			20"x20"		
Curve	Elements	Acta Embrace	M2 Zero Elevation	ROHO Single HP	ROHO Quadtro
Seat Cushions					

Shipped
With Chair

16"x12"	16"x16"	16"x12"	16"x10"	16"x10"
16"x16"	18"x16"	16"x16"	18"x10"	18"x10"
18"x12"		18"x12"		
18"x16"		18"x16"		
Comfort Unite 1	Comfort Embrace	Comfort Relief	ROHO Agility Min	ROHO Agility Mid
Back Supports				