

TiLite TR TRA Order Form

Effective Jan 2024 (New Items in Red)

DUAL-TUBE RIGID FRAME

Page 1 of 8

| nn DEALER INFORMATION | | RTS INFORMATION | | | |
|-----------------------|--------------|---------------------|-----------|------|--|
| Dealer: | Account #: | RTS: | Phone: | | |
| PO: | Ordered By: | Email: | | | |
| Email: | | SHIP TO INFORMATION | | | |
| Mark For: | User Weight: | Name: | Ship Via: | | |
| TiLite Sales Rep: | | Address: | | | |
| TiLite Information: | Promo Code: | City: | State: | Zip: | |
| Ship Date: | Order #: | Phone: | Fax: | | |

More options and frame modifications may be available through our Creative Mobility Division! Please contact customer service for details or [click here](#) to view options.

Please Email or Fax to the Permobil Manual Customer Experience Team at tilitesales@permobil.com or 509.586.2413

FRAME STYLE

- TAFS1 **TRA Titanium Frame** (Full Adjustability. 265 Pound Weight Limit. For Rear Seat Width A and Seat Depth B of 15" or greater, use K0005. For Rear Seat Width A and Seat Depth B of less than 15", use E1235.).....\$4,759 K0005, E1235
- TRFS1 **TR Titanium Frame Ultimate TiFIT** (Minimal Adjustability. 265 Pound Weight Limit. For Rear Seat Width A and Seat Depth B of 15" or greater, use K0005. For Rear Seat Width A and Seat Depth B of less than 15", use E1235.).....\$281

SMARTDRIVE POWER ASSIST SYSTEM



- TMAXSD1 **Permobil Smart Drive MX2+*** (N/A with rear seat heights less than 13.5", or 20" rear wheels).....\$7,529 E0986
- TMAXSD16 **NEW** SpeedControl Dial TMAXSD17 Extended Mount **OR** TMAXSD18 SwitchControl Buttons.....**NCO**
- TMAXSD8 SwitchControl Button with Mono Jack Option.....\$159
- TMAXSD19 **NEW** Buddy Button.....\$262
- TMAXSD4 Carrying Bag.....\$84
- TMAXSD10 Universal Padded Handle.....\$22

*SmartDrive apps available on Apple App Store and Google Play Store for Apple Watch Series 5 or newer and Samsung Galaxy Watch 4 or newer.

FRAME STYLE

- THDR1 **Heavy Duty Frame** (Not Available with TR Titanium Frame. 350 Pound Weight Limit. No charge when 20" Rear Seat Width A and 20" Seat Depth B are selected. Includes Tension Adjustable by Straps Back Upholstery. Requires Folding Aluminum Adjustable Height Backrest, Billet Aluminum Front Wheels, Shadow or Spinergy SPOX Rear Wheels. LX Rear Wheels only available with 0 or 2 degree camber. Not available with Slipstream Fork, Velcro Adjustable Upholstery or Glide™ Forks.).....\$472
- TQST1 **Q'Straint Adaptable Frame** (Not Available with TR Titanium Frame. 350 Pound Weight Limit. No charge when 20" Rear Seat Width A and 20" Seat Depth B are selected. Includes Tension Adjustable by Straps Back Upholstery. Requires Folding Aluminum Adjustable Height Backrest, Billet Aluminum Front Wheels, Shadow or Spinergy SPOX Rear Wheels. LX Rear Wheels, only available with 0 or 2 degree camber. Not available with Slipstream Fork, Velcro Adjustable Upholstery, Open Loop Footrest, V-Front Taper or Glide™ Forks.).....\$472
- TPWR1 **Power Adaptable Frame** (No charge when 20" Rear Seat Width A and 20" Seat Depth B are selected. Requires LiteSpeed Billet Aluminum Front Wheels and 0 degree camber. Not available with Single-sided Forks, or Titanium Camber Tubes. Not required for SmartDrive.).....\$369
- TRFR1 **Reinforced Frame** (No charge when 20" Rear Seat Width and 20" Seat Depth or Heavy Duty is selected.).....\$369

FRAME FINISHES

- TFF1 Satin (Available with Titanium Frame only.).....**STD**
- SCBT1 Satin Finish Buffing Pads.....\$22
- TFF3 **Tattooed Titanium™** (Tattoos on front frame tubes. Titanium frame finished in Satin. Tattoos will be trimmed and adjusted to fit your frame.).....\$363

- TFF45 Need for Speed
- TFF43 Mosaic
- TFF44 Flower Garden
- 
- 
- 

- High Gloss Paint** TFF8 High Gloss Black TFF10 TiLite Red TFF29 Neon Pink
- Metallic Paint** TFF14 Ocean Blue Metallic TFF15 Tangerine Metallic TFF30 Acid Green Metallic
- Pearlescent Paint** TFF17 Midnight Blue Pearl TFF18 White Pearl
- Matte Paint** TFF19 Black Lava TFF27 Titanium Grey
- Candy Paint** TFF22 Ruby Red TFF23 Azure Blue TFF25 Electric Plum
- Matte Textured Paint** TFF40 Hyper Blue TFF41 Flame Orange TFF42 OD Green.....**STD**

COLOR ANODIZE PACKAGE

(Color Anodize Package includes: Caster Mount, Caster Fork, and Caster Caps. If no anodize color is selected, the default will be black.)

- ZANO1 Black.....**STD**
- ZAN12 Gold ZAN15 Green ZAN13 Purple ZAN14 Orange ZAN10 Blue ZAN11 Red.....\$71



Permobil.com
2701 West Court Street / Pasco, Washington 99301
Tel 800 736 0925 or Email tilitesales@permobil.com

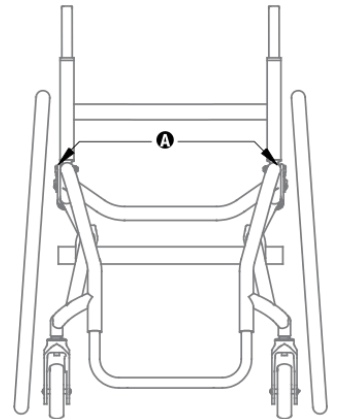
TiLite TR TRA Order Form

TiFit: TAILORED INDIVIDUALIZED FRAME

Measurements shown below are our most popular selections. **Not seeing what you want?** Contact customer service or visit our Creative Mobility Division (CMD) catalog [here](#) to view additional options.

REAR SEAT WIDTH A Measure from outside of seat tube at back post to the outside of the opposite seat tube at back post.

- TSW1 12" 13" 14" 15" 16" 17" 18" 19"STD
 ZSW2 20" (HCPCS code only applies to 20" Rear Seat Width ; > 20" size available through CMD).....\$536 E2201

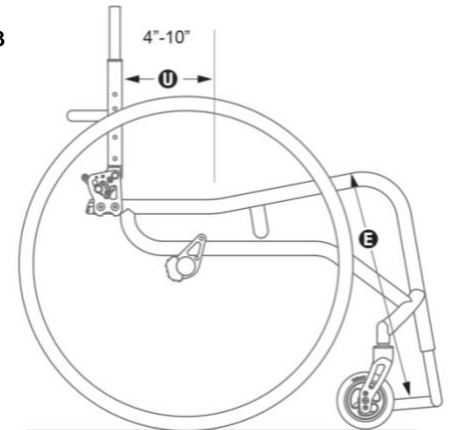


FRONT SEAT WIDTH (SEAT TAPER) T Measure from inside of front frame tube to inside of opposite front frame tube. (Required with V-Front End v. Not Available with Standard Front End I.)

- TFSW1 No TaperSTD
 TFSW2 1" Taper (3" Narrower than Rear Seat Width A. Includes Tension Adjustable by Straps Seat Upholstery.)\$304
 TFSW4 2" Taper (4" Narrower than Rear Seat Width A. Includes Tension Adjustable by Straps Seat Upholstery.)\$304

SEAT DEPTH B Measure from front of back post to the front edge of seat sling. Frame bend will start .5" in front of seat sling unless Custom Frame Depth is specified, or the combination of specifications affect the rolling dynamics of the chair.

- TSD1 12" 13" 14" 15" 16" 17" 18" 19" STD
 TSD2 20"\$568 E2203
 TSD3 Custom Frame Depth: _____" Frame Depth Longer or Shorter Than Seat Depth (Measure from front of seat sling to beginning of frame bend. Ranges from 0.5" to 2" and can be given as specific as 1/4" increments. A Custom Frame Depth outside specified range may be available through our Creative Mobility Division. A Custom Frame Depth of 20" will have an additional charge)NCO

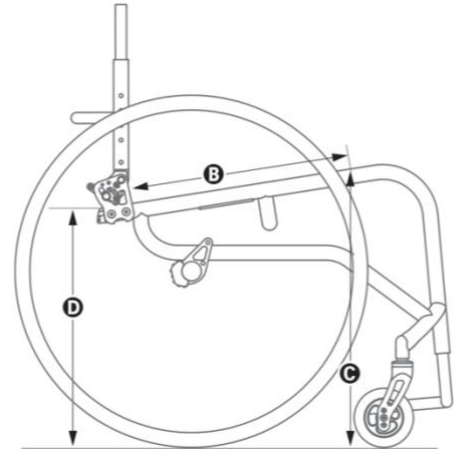


ERGONOMIC SEAT U Measure from front of back post to beginning of upward bend of seat tube.

- TERG1 TR Ergonomic Seat (Not available with Tension Adjustable Bolt On Seat Upholstery)
 5" 6" 7" 8" 9"\$369
 TERG2 TRA Ergonomic Seat (Not available with V-Front or Seat Taper, Seat Back that Locks When Folded, Desk Arms, Depth Adjustable Backrests, Fold Down Rigid Sideguards, Fendered Adjustable Sideguards, Solid Seat, Tension Adjustable Bolt On Seat Upholstery.)
 6" (Minimum Seat Depth B 12") 7" (Minimum Seat Depth B 12")
 8" Minimum Seat Depth B 13")\$433

FRONT SEAT HEIGHT C Measure from floor to top of seat tube at front edge of seat sling.

- TFSH1 15" 15.5" 16" 16.5" 17" 17.5" 18" 18.5" 19" 19.5"
 20" 20.5" 21"STD



REAR SEAT HEIGHT D Measure from floor to top of seat tube at back post.

| Rear Wheel Size | Rear Seat Height |
|-----------------|------------------------|
| 20" | 12.5"-20" |
| 22" | 13.5"-20" |
| 24" | 14.5"-20" (15" on TRA) |
| 25" | 15.0"-20" |
| 26" | 15.5"-20" |

- TRSH1 12.5" 13" 13.5" 14" 14.5" 15" 15.5" 16" 16.5"
 17" 17.5" 18" 18.5" 19" 19.5" 20"STD

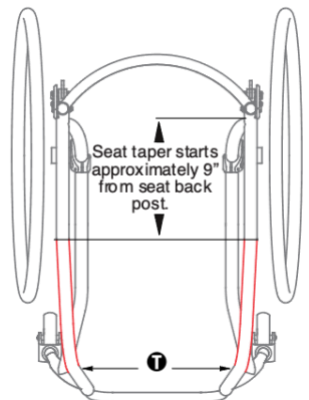
FRONT ANGLE or OVERALL FRAME LENGTH Select one. If Overall Frame Length is selected, front angle will be bent to achieve requested length.

- TFA1 70° 75° 80° 85° L Measure from frame front to floor. (Not available with 6" Front Wheels.) 90° (Not available with 5" or 6" Front Wheels.)STD
 TFA2 Overall Frame Length M _____" Measure from front of backrest to Front Edge of Footrest.NCO

SEAT TO FOOTREST E Measure from front edge of seat sling to top rear of footrest.

Standard Footrests Measurement must be at least 2" shorter than Front Seat Height C.
 13.5" 14" 14.5" 15" 15.5" 16" 16.5" 17" 17.5" 18"
 18.5" 19"

- TFTR3 Angle Adjustable FootrestSTD
 TFTR1 Titanium Footrest w/Flat ABS Cover\$217
 TFTR2 Titanium Open Loop Footrest\$277



TiLite TR TRA Order Form

- TFTR12 Angle Adjustable Flip-Back Footrest (Not available with 10" or 11" Rear Seat Width A, Heavy Duty Frame, or ABS Cover with 2" Sides).....\$244 K0040
High Mount Footrest
 7"-9" 9"-11" 11"-13" Set at _____ (Use 1/2" increments)
 TFTR4 Angle Adjustable High Mount Footrest.....\$109 K0040

Custom Two-Piece Flip Up Footplates CMD 040. Please visit our CMD catalogue and specify footrest type and rigidizer bar placement in the Notes section of this order form. Some limitations may apply.

FOOTREST WIDTH I or V Select either a Standard Front End I if no Seat Taper T is selected or a V-Front End V if a Seat Taper T is selected.

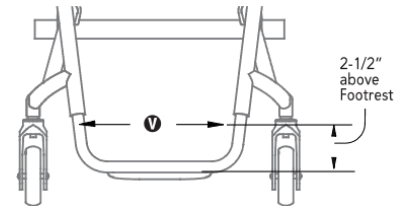
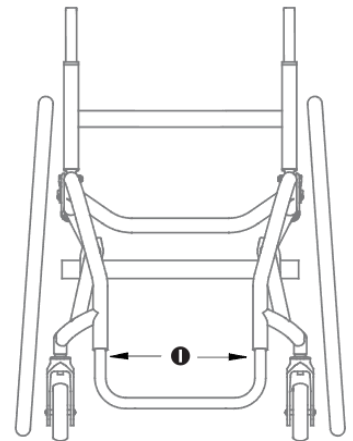
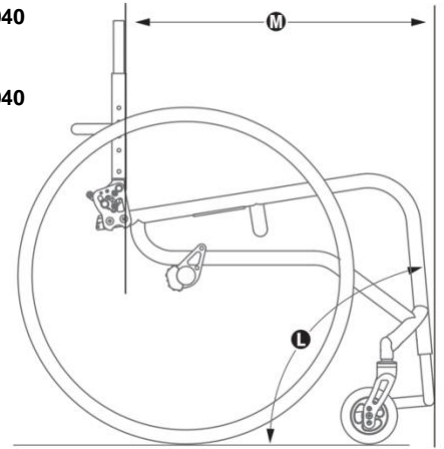
STANDARD FRONT END I Find your Rear Seat Width A in the Chart below and select one of the options to the right. Measure from inside of front frame tube to inside of opposite front frame tube.
 TFE1 **NO V-Front Taper**.....**STD**

| REAR SEAT WIDTH A (Outside Measurement) | FOOTREST WIDTH I | | |
|--|---|---|---|
| | No Taper (2" Narrower than Rear Seat Width) | 2" Taper (4" Narrower than Rear Seat Width) | 4" Taper (6" Narrower than Rear Seat Width) |
| 12" | <input type="checkbox"/> 10" | <input type="checkbox"/> 8" | |
| 13" | <input type="checkbox"/> 11" | <input type="checkbox"/> 9" | |
| 14" | <input type="checkbox"/> 12" | <input type="checkbox"/> 10" | <input type="checkbox"/> 8" |
| 15" | <input type="checkbox"/> 13" | <input type="checkbox"/> 11" | <input type="checkbox"/> 9" |
| 16" | <input type="checkbox"/> 14" | <input type="checkbox"/> 12" | <input type="checkbox"/> 10" |
| 17" | <input type="checkbox"/> 15" | <input type="checkbox"/> 13" | <input type="checkbox"/> 11" |
| 18" | <input type="checkbox"/> 16" | <input type="checkbox"/> 14" | <input type="checkbox"/> 12" |
| 19" | <input type="checkbox"/> 17" | <input type="checkbox"/> 15" | <input type="checkbox"/> 13" |
| 20" | <input type="checkbox"/> 18" | <input type="checkbox"/> 16" | <input type="checkbox"/> 14" |

V-FRONT END V Measure from inside of front frame tube to inside of opposite front frame tube 2-1/2" above footrest. (Titanium Footrests have 1" of adjustment up and down. Not available with Ergonomic Seat frames.)

- TFE2 V-Front Taper.....\$315
 9" 10" 11" 12" 13" 14" 15"

Custom Abducted Front Frame Width CMD 008. (Adapted Footrest and/or Front Seat Width) Please specify desired front seat width and desired footrest width to the nearest 1/2" in the Notes section. Some limitations may apply.



BACK SUPPORTS

ROHO® AGILITY® ACTIVE ALUMINUM Contour Back Support

- Shell Height 8" 10"
 BRS14 AGILITY Active Aluminum Min Contour with Foam.....\$738 E2620
 BRS15 AGILITY Active Aluminum Mid Contour with Foam.....\$738 E2620

ROHO® AGILITY® ACTIVE CARBON Contour Back Support (2x2 Twill Weave Carbon Fiber)

- Shell Height 10" 13" 16"
 AGILITY Carbon Min Contour Back with Foam w/ Air Insert
 BRS7 Foam w/ Air Insert.....\$738 E2620
 ACB1 AGILITY Active Carbon Upgrade (Not available with Bolt-on Push Handles).....\$464
 Fixed Hardware.....NCO
 AGILITY Carbon Mid Contour Back with Foam w/ Air Insert
 BRS9 Foam w/ Air Insert.....\$738 E2620
 ACB2 AGILITY Active Carbon Upgrade (Not available with Bolt-on Push Handles).....\$464
 Fixed Hardware.....NCO

COMFORT ACTA-EMBRACE® Back Support

- Shell Height 10" 12" 14" 16"
 SBRS16 Acta-Embrace Back with 2-PT Quick Release Compass Hardware.....\$642 E2613
 CPSB1 Comfort Privacy Shield.....\$44

COMFORT ACTA-RELIEF Back Support

- Shell Height 10" 12" 14" 16"
 SBRS13 Acta-Relief Back with 2-PT Quick Release Compass Hardware.....\$846 E2615
 CPSB1 Comfort Privacy Shield.....\$44

TiLite TR TRA Order Form

BACK UPHOLSTERY (Want more seating options? [Click here](#) to view the new TiLite Seating Order Form.)

- TBUP2 Velcro Adjustable (Not available with Fold-Down Push Handles.)..... **STD**
- Tension Adjustable by Straps** (Required with Fold-Down Push Handles.)
- TBUP3 Padded Nylon..... **\$369 E2611**
- TBUP5 AIR Breathable Upholstery (Not available with Ultrasuede Backrest Stripe.)..... **\$369 E2611**
- TUPC3 Ultrasuede Backrest Stripe Black..... **\$115**
- TBUP0 Ormit Back Upholstery..... **NCO**

TiFit: TAILORED INDIVIDUALIZED FRAME

Options shown below are our most popular selections. **Not seeing what you want** Contac customer service or visit our Creative Mobility Division (CMD) catalog [here](#) to view additional options.

SEAT BACK TYPE/PUSH HANDLES/SEAT BACK HEIGHT F Measure from top of back post to top of seat tube at rear of frame.

- TSB1 Folding Aluminum Adjustable Height Back (Required for Heavy Duty Frame..... **STD**
- TSB2 Folding Titanium Adjustable Height Back and Rounded Rigidizer Bar (Titanium back will match Frame Finish.)..... **\$277**
- TSB15 Non-Folding, Fixed Height Titanium with New Rounded Rigidizer Bar (Not Available with TRA. Titanium back will match Frame Finish. Not available with Push Handles.)..... **\$315**

TISHAFT™ BACK RELEASE BARS (Not available with Non-Folding, Fixed Height Titanium Back.)

- TSB3 Aluminum..... **STD**
- TSB5 2x2 Twill Weave Carbon Fiber..... **\$82**

PUSH HANDLES

- TSB6 Integrated Push Handles..... **NCO**
- TSB7 Integrated Fold-Down Push Handles (Requires Tension Adjustable by Straps Back Upholstery.)..... **\$125**
- TSB8 Bolt-On Push Handles (Includes 4" Deep Backrest Rigidizer Bar.)..... **\$217**
- TSB9 Bolt-On Height-Adjustable Push Handles (Includes 4" Deep Backrest Rigidizer Bar.)..... **\$363**

FOLDING SEAT BACK HEIGHT F (TSB1 and TSB2)

| Push Handles (Selected Above) | Short | Medium | Tall | Set at: (Use 1/2" increments) |
|----------------------------------|--------------------------------------|--------------------------------------|--------------------------------------|----------------------------------|
| None/ Bolt-On | <input type="checkbox"/> 8.5"-11.5" | <input type="checkbox"/> 12"-16.5" | <input type="checkbox"/> 16"-20.5" | Set at: _____ |
| Integrated | <input type="checkbox"/> 10.5"-12.5" | <input type="checkbox"/> 13.5"-16.5" | <input type="checkbox"/> 17.5"-20.5" | Set at: _____ |
| Integrated Fold-Down | <input type="checkbox"/> 13"-15.5" | <input type="checkbox"/> 14"-18.5" | <input type="checkbox"/> 18.5"-21" | Set at: _____ |

NON-FOLDING, FIXED-HEIGHT F TITANIUM SEAT BACK with New Rounded Rigidizer Bar (TSB15) (Titanium Finish. Required for fixed Side Guards. Not available with Swing Away Tubular or Swing Away - Flip Back Tubular Armrests and Integrated Push Handles, Integrated Fold-Down Push Handles or Bolt-On Height Adjustable Push Handles.)

- 5" 5.5" 6" 6.5" 7" 7.5" 8" 8.5" 9" 9.5" 10" 10.5" 11" 11.5" 12" 12.5" 13" 13.5" 14" 14.5" 15" 15.5" 16" 16.5" 17" 17.5" 18" 18.5" 19" 19.5" 20"

AVAILABLE ON ALL BACKS

- TSB11 Backrest that Locks when Folded (Not available with Ergonomic Seat.)..... **STD**
- TSB12 4" Deep Backrest Rigidizer Bar (Not available with a Non-Folding, Fixed Height Titanium Seat Back Type. 4" Deep Rigidizer Bar is NOT a rounded style rigidizer bar.)..... **NCO**

SEAT BACK ANGLE G Measure angle from front of back post to floor.

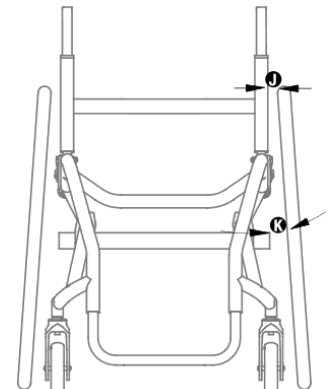
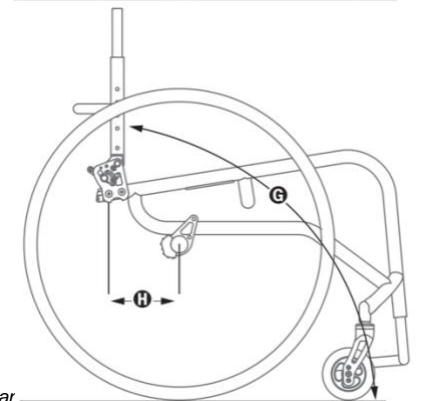
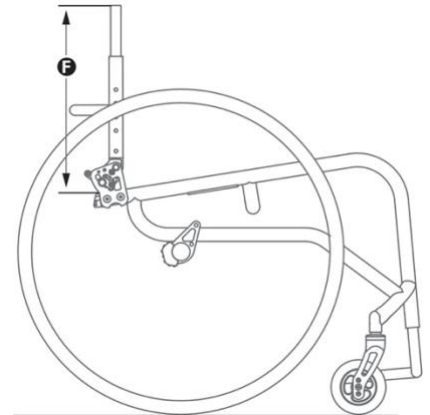
- TSBA1 **Folding Back**
 80° 83° 86° 89° 92° 95° 98° 101°..... **STD**
- TSBA1 **Non-Folding Back**
 80° 81° 82° 83° 84° 85° 86° 87° 88° 89° 90°
 91° 92° 93° 94° 95° 96° 97° 98° 99° 100° 101°..... **NCO**

CENTER OF GRAVITY H Measure from front of back post at the seat tube to the center of the rear axle. If no center of gravity is selected, chair will ship with the center of gravity in the rearward-most position.

- TCOG1 1" 1.25" 1.5" 1.75" 2" 2.25" 2.5" 2.75" 3" 3.25" 3.5" 3.75" 4" 4.25" 4.5" 4.75" 5"..... **STD**

REAR WHEEL SPACING J/PLUGS Measure from outside of seat back post to inside of rear tire. TRA 0.75" Rear Wheel Spacing not available with 0° or 2° Camber K. Ergonomic Seat selection may limit available center of gravity.

- TRWS1 .75" 1" 1.25"..... **STD**
- TCBR12 Adjustable Rear Wheel Spacing Camber Plugs..... **STD**



TiLite TR TRA Order Form

Effective Jan 2024 (New Items in Red)

DUAL-TUBE RIGID FRAME

Page 5 of 8

| | | |
|--------|---|-----|
| TCBR9 | <input type="checkbox"/> Additional Spacers to Increase Rear Wheel Spacing..... | NCO |
| TCBR11 | <input type="checkbox"/> Zero Play Aluminum Camber Plugs (Not available with Power Adaptable Frame or more than 6° of Camber K.)..... | NCO |

SEAT UPHOLSTERY

| | | |
|-------|---|-------|
| ZSUP1 | <input type="checkbox"/> Tension Adjustable Bolt On (Not available with Ergonomic Seat or Tapered Seat T. Black only.)..... | STD |
| ZSUP2 | <input type="checkbox"/> Tension Adjustable by Straps (Standard with Ergonomic Seat and Front Seat Width (Seat Taper) T of 1", 2" or 3". Black upholstery only.)..... | \$201 |
| ZSUP8 | <input type="checkbox"/> Aluminum Solid Seat (Not available with 10" or 11" Rear Seat Width A, Ergonomic Seat U requires CMD 016)..... | \$309 |
| ZSUP0 | <input type="checkbox"/> Omit Seat..... | NCO |

E2231

Custom iSleeve CMD 018. Please provide sleeve width and depth (in inches) in the Notes section at the end of this order form (add 1" to device depth and ¼" to width). Some limitations may apply.

SEAT CUSHION (Want more seating options? [Click here](#) to view the new TiLite Seating Order Form.)

| | | | |
|--------|--|-------|-------|
| ZCSH2 | <input type="checkbox"/> Comfort Curve Cushion (Stretch-Air cover)..... | \$122 | E2601 |
| ZCSH23 | <input type="checkbox"/> Comfort Acta-Embrace™ Comfort-Tek Zero Elevation Cushion..... | \$428 | E2607 |
| ZCSH11 | <input type="checkbox"/> ROHO® Single Compartment (Fits seat widths 14" to 19") Profile: <input type="checkbox"/> Low <input type="checkbox"/> Mid <input type="checkbox"/> High..... | \$534 | E2622 |
| ZCSH14 | <input type="checkbox"/> ROHO® QUADTRO SELECT® Cushion (Fits seat widths 14" to 19") Profile: <input type="checkbox"/> Low <input type="checkbox"/> Mid <input type="checkbox"/> High..... | \$534 | E2624 |
| ZCSH16 | <input type="checkbox"/> ROHO® Hybrid Select (Fits seat widths 14" to 18", and 20")..... | \$571 | E2624 |
| ZCSH17 | <input type="checkbox"/> Vicair Vector 02 with Comfair Cover (Fits seat widths A 14" to 19". Non-stock upcharges may apply.)..... | \$515 | E2624 |

CAMBER K/CAMBER TUBES

| | | |
|--------|--|-------|
| TCBR1 | <input type="checkbox"/> 0° <input type="checkbox"/> 2° <input type="checkbox"/> 4° <input type="checkbox"/> 6° (8° of Camber K may be available through our Creative Mobility Division.)..... | STD |
| TCBR15 | <input type="checkbox"/> Aluminum Camber Tube..... | STD |
| TCBR3 | <input type="checkbox"/> Titanium Camber Tube (Not available with Power Adaptable Frame.)..... | \$217 |

CUSTOM CONFIGURATION OPTIONS

FRONT WHEELS

| | | |
|-------|---|-------|
| TFW24 | <input type="checkbox"/> 3"x1.5" LiteSpeed Billet Aluminum Wheel w/Soft Roll Tire <input type="checkbox"/> Silver Hub OR <input type="checkbox"/> Black Hub..... | \$206 |
| TFW14 | <input type="checkbox"/> 4"x.75" Plastic Wheel w/Poly Tire (Not available with Slipstream Fork or Power Adaptable Frame.)..... | NCO |
| TFW3 | <input type="checkbox"/> 4"x.75" Light-Up Micro-Caster (Not available with Slipstream Fork or Power Adaptable Frame.)..... | \$88 |
| TFW26 | <input type="checkbox"/> 4"x1.5" LiteSpeed Plastic Wheel w/Soft Roll Tire (Not available with Power Assist, Power Add-on System or Heavy Duty Frame.)..... | \$112 |
| TFW27 | <input type="checkbox"/> 4"x1.5" LiteSpeed Billet Aluminum Wheel w/Soft Roll Tire <input type="checkbox"/> Silver Hub OR <input type="checkbox"/> Black Hub..... | \$217 |
| TFW6 | <input type="checkbox"/> 5"x1" Plastic Wheel w/Poly Tire (Not available with 90° Front Angle L, Slipstream Fork or Power Adaptable Frame.)..... | NCO |
| TFW28 | <input type="checkbox"/> 5"x1.5" LiteSpeed Plastic Wheel w/Soft Roll Tire (Not available with 90° Front Angle L or Power Adaptable Frame.)..... | \$103 |
| TFW30 | <input type="checkbox"/> 5"x1.5" LiteSpeed Billet Aluminum Wheel w/Soft Roll Tire <input type="checkbox"/> Silver Hub OR <input type="checkbox"/> Black Hub (Not available with 90° Front Angle L.)..... | \$233 |
| TFW9 | <input type="checkbox"/> 6"x1" Plastic Wheel w/Poly Tire (Not available with 85° or 90° Front Angle L, Slipstream Fork or Power Adaptable Frame.)..... | NCO |
| TFW32 | <input type="checkbox"/> 6"x1.5" LiteSpeed Plastic Wheel w/Soft Roll Tire (Not available with 85° or 90° Front Angle L, Slipstream Fork or Power Adaptable Frame.)..... | \$119 |
| TFW33 | <input type="checkbox"/> 6"x1.5" LiteSpeed Billet Aluminum Wheel w/Soft Roll Tire <input type="checkbox"/> Silver Hub OR <input type="checkbox"/> Black Hub (Not available with 85° or 90° Front Angle L or Slipstream Fork.)..... | \$244 |

PRECISION LOCK FRONT FORKS

| | | |
|-------|---|-------|
| TFK1 | <input type="checkbox"/> TiLite Standard Fork..... | STD |
| TFK2 | <input type="checkbox"/> TiLite Slipstream Single-Sided Fork (Not available with Power Adaptable Frame.)..... | \$185 |
| TGL1 | <input type="checkbox"/> Glide™ Suspension Fork (Black anodize only. Not available with Heavy Duty Frame.)..... | \$526 |
| | Rider's Weight: <input type="checkbox"/> 125 lbs. <input type="checkbox"/> 125-180 lbs. <input type="checkbox"/> 180-265 lbs. | |
| TTFS1 | <input type="checkbox"/> Titanium Fork Stem..... | \$66 |

E1015

STANDARD REAR WHEELS (See Rear Seat Height Ranges Chart for Rear Seat Height D limitations.)

| | | |
|-------|--|-----|
| TRW14 | TiLite SHADOW™..... | STD |
| | <input type="checkbox"/> 20"(451) | |
| | <input type="checkbox"/> 22"(501) | |
| | <input type="checkbox"/> 24"(540) | |
| | <input type="checkbox"/> 25"(559) (Requires 15" minimum Seat Depth B.) | |
| | <input type="checkbox"/> 26"(590) (Requires 15" minimum Seat Depth B.) | |

PERFORMANCE REAR WHEELS (See Rear Seat Height Ranges Chart for Rear Seat Height D limitations.)

| | | |
|------|---|-------|
| TRW7 | Spinergy SPOX <input type="checkbox"/> Black <input type="checkbox"/> Red <input type="checkbox"/> Blue <input type="checkbox"/> White <input type="checkbox"/> Orange <input type="checkbox"/> Pink <input type="checkbox"/> Purple <input type="checkbox"/> Green (Orange, Pink, Purple and Green only available in 20" size.)..... | \$915 |
| | <input type="checkbox"/> 20"(451) - Std. Hub | |
| | <input type="checkbox"/> 22"(501) - Std. Hub | |
| | <input type="checkbox"/> 24"(540) - Std. Hub | |
| | <input type="checkbox"/> 25"(559) - Std. Hub (Requires 15" minimum Seat Depth B.) | |
| | <input type="checkbox"/> 26"(590) - Std. Hub (Requires 15" minimum Seat Depth B.) | |

| | | |
|------|--|---------|
| TRW8 | Spinergy LX <input type="checkbox"/> Black <input type="checkbox"/> Red <input type="checkbox"/> Blue <input type="checkbox"/> White <input type="checkbox"/> Bright Orange <input type="checkbox"/> Flamingo Pink <input type="checkbox"/> Purple <input type="checkbox"/> Green..... | \$1,148 |
|------|--|---------|

TiLite TR TRA Order Form

| | | |
|-------|--|---------|
| | <input type="checkbox"/> 22"(501) - Std. Hub | |
| | <input type="checkbox"/> 24"(540) - Std. Hub | |
| | <input type="checkbox"/> 25"(559) - Std. Hub (Requires 15" minimum Seat Depth B.) | |
| | <input type="checkbox"/> 26"(590) - Std. Hub (Requires 15" minimum Seat Depth B.) | |
| TRW9 | Spinergy Design Lab LX Wheels (If same color is selected, anodized hubs and rims match color anodized package on page 1. Available with black spokes only.) | |
| | <input type="checkbox"/> Gold Anodize <input type="checkbox"/> Green Anodize <input type="checkbox"/> Blue Anodize <input type="checkbox"/> Red Anodize <input type="checkbox"/> Purple Anodize <input type="checkbox"/> Orange Anodize..... | \$1,364 |
| | <input type="checkbox"/> 22"(501) - Std. Hub | |
| | <input type="checkbox"/> 24"(540) - Std. Hub | |
| | <input type="checkbox"/> 25"(559) - Std. Hub (Requires 15" minimum Seat Depth B.) | |
| | <input type="checkbox"/> 26"(590) - Std. Hub (Requires 15" minimum Seat Depth B.) | |
| TRW16 | Spinergy® Carbon Blade with 2x2 Twill Weave Carbon Fiber (Not available with Heavy Duty Frame.)..... | \$1,602 |
| | <input type="checkbox"/> 24"(540) | |
| | <input type="checkbox"/> 25"(559) (Requires 15" minimum Seat Depth B.) | |
| TRW17 | X-Core Mag (Not available with Heavy Duty Frame, Short Tabs, Quad Release Axles, Spoke Guards or Omit Handrims Option. Requires Aluminum Silver Anodized Handrims.)..... | \$66 |
| | <input type="checkbox"/> 20"(451) | |
| | <input type="checkbox"/> 22"(501) | |
| | <input type="checkbox"/> 24"(540) | |

AXLES

| | | |
|-------|--|-------|
| TAXL1 | <input type="checkbox"/> Stainless Quick Release..... | STD |
| TAXL2 | <input type="checkbox"/> Titanium Quick Release..... | \$277 |
| TAXL3 | <input type="checkbox"/> Quad Release (Not available with Mag or 26"(590) Spinergy Spox or LX Rear Wheels.)..... | \$169 |

PNEUMATIC REAR TIRES

| | | |
|--------|---|-------|
| TRTR1 | <input type="checkbox"/> Treaded 22"(501), 24"(540), and 26"(590)..... | STD |
| TRTR2 | <input type="checkbox"/> Airless Inserts (Not available with Spinergy Carbon Blade Rear Wheels.)..... | \$98 |
| TRTR31 | <input type="checkbox"/> MBL SpeedLite 20"(451), 22"(501), 24"(540), 25"(559) and 26"(590)..... | STD |
| TRTR30 | <input type="checkbox"/> 24"(540), 25"(559) and 26"(590) Primo Sentinel..... | \$136 |
| TRTR8 | <input type="checkbox"/> 24"(540), 25"(559) and 26"(590) Schwalbe® Marathon Plus Evolution..... | \$152 |
| TRTR32 | <input type="checkbox"/> 24"(540) Primo C-763 Knobby..... | \$104 |

E2213

SOLID REAR TIRES (Not available with Spinergy Carbon Blade Rear Wheels.)

| | | |
|--------|---|-------|
| TRTR22 | <input type="checkbox"/> 20"(451), 22"(501), 24"(540) and 25"(559) Primo Express..... | \$120 |
| TRTR23 | <input type="checkbox"/> 24"(540) and 25"(559) Primo Active..... | \$147 |

HANDRIMS

| | | |
|--------|---|-------|
| TRIM1 | <input type="checkbox"/> Aluminum – Silver Anodized..... | STD |
| TRIM21 | <input type="checkbox"/> Aluminum – Black Anodized..... | NCO |
| TRIM12 | <input type="checkbox"/> Titanium – Satin Finish (Not available with 20"(451) or 22"(501) Rear Wheels, or 24"(540) Knobby tires.)..... | \$509 |
| TRIM10 | <input type="checkbox"/> The Surge (All-In-One Oval with Gription™ Strip, Larger Profile) (Not available with 20"(451) Rear Wheels.)..... | \$433 |
| TRIM11 | <input type="checkbox"/> The Surge LT (All-In-One Oval with Gription™ Strip, Smaller Profile) (Not available with 20"(451) Rear Wheels.)..... | \$466 |
| TRIM20 | <input type="checkbox"/> Q-Grip (Exclusive High-Friction, Anti-Slip Coating) (Not available with 20"(451)Rear Wheels.)..... | \$358 |

The Natural-Fit® (Original, Larger Profile) (Not available with 20"(451) Rear Wheels.)

| | | |
|--------|---|-------|
| TRIM14 | <input type="checkbox"/> Standard Grip (Not available with Short Tabs or Spinergy Carbon Blade Rear Wheels.)..... | \$428 |
| TRIM15 | <input type="checkbox"/> Super Grip (Not available with Short Tabs or Spinergy Carbon Blade Rear Wheels.)..... | \$466 |
| TRIM16 | <input type="checkbox"/> Without Thumb Grip..... | \$390 |

The Natural-Fit® LT (Reduced Weight, Smaller Profile) (Not available with 20"(451) Rear Wheels.)

| | | |
|--------|---|-------|
| TRIM17 | <input type="checkbox"/> Standard Grip (Not available with Short Tabs or Spinergy Carbon Blade Rear Wheels.)..... | \$440 |
| TRIM18 | <input type="checkbox"/> Super Grip (Not available with Short Tabs or Spinergy Carbon Blade Rear Wheels.)..... | \$514 |
| TRIM19 | <input type="checkbox"/> Without Thumb Grip..... | \$423 |

Additional Handrim Options

| | | |
|--------|--|-------|
| TRIM5 | <input type="checkbox"/> Plastic Coated – Black..... | \$174 |
| TRIM22 | <input type="checkbox"/> Omit Handrims..... | NCO |

Tab Length

| | | |
|-------|---|------|
| TRIM7 | <input type="checkbox"/> Long Tabs..... | STD |
| TRIM8 | <input type="checkbox"/> Short Tabs (Not available with Mag Rear Wheels or The Natural-Fit® Handrims with Thumb Grip.)..... | \$28 |

WHEEL LOCKS

| | | |
|--------|---|------|
| TWLK7 | <input type="checkbox"/> Compact Composite Push to Lock (Available with .75" to 1.5" Rear Wheel Spacing) only.)..... | NCO |
| TWLK8 | <input type="checkbox"/> Compact Composite Pull to Lock (Available with .75" to 1.5" Rear Wheel Spacing) only.)..... | NCO |
| TWLK10 | <input type="checkbox"/> Extension Handles for Compact Composite Push/Pull to Lock..... | \$93 |

E0961

Additional Wheel Locks

| | | |
|--------|---|-------|
| TWLK11 | <input type="checkbox"/> MBL Composite Scissor Lock..... | \$158 |
| TWLK3 | Uni-Lock Set At: <input type="checkbox"/> Push OR <input type="checkbox"/> Pull..... | \$179 |
| TWLK4 | <input type="checkbox"/> Extension Handles for Uni-Lock..... | \$93 |

E0961

TiLite TR TRA Order Form

| | | | |
|--------------------|---|-------|-------|
| TWLK15 | <input type="checkbox"/> Grade Aids Push to Lock (Not available with solid rear tires) | \$190 | E0974 |
| SIDE GUARDS | | | |
| Aluminum | | | |
| TSDG2 | <input type="checkbox"/> Rigid Removable <input type="checkbox"/> Small OR <input type="checkbox"/> Std | \$217 | |
| TSDG3 | <input type="checkbox"/> Quad Removable w/Hole <input type="checkbox"/> Small OR <input type="checkbox"/> Std | \$233 | |
| TSDG4 | <input type="checkbox"/> Fold Down Rigid <input type="checkbox"/> Small OR <input type="checkbox"/> Std (Not available with Ergonomic Seat.) | \$363 | |
| TSDG6 | <input type="checkbox"/> Fendered Adjustable (Available with 24" and 25" Rear Wheels. Requires Rear Seat Height D of 14.5" to 18.5".) | \$363 | |

2x2 Twill Weave Carbon Fiber

| | | | |
|--------|---|-------|--|
| TSDG7 | <input type="checkbox"/> Rigid Removable <input type="checkbox"/> Small OR <input type="checkbox"/> Std | \$336 | |
| TSDG8 | <input type="checkbox"/> Quad Removable w/Hole <input type="checkbox"/> Small OR <input type="checkbox"/> Std | \$347 | |
| TSDG9 | <input type="checkbox"/> Fold Down Rigid <input type="checkbox"/> Small OR <input type="checkbox"/> Std (Not available with Ergonomic Seat or Carbon Edition.) | \$499 | |
| TSDG12 | <input type="checkbox"/> Fendered Removable | \$493 | |

Available on Aluminum and Carbon Fiber Non-Fendered Side Guards

| | | | |
|--------|---|-------|--|
| TSDG13 | <input type="checkbox"/> Side Guards Custom Cut to Profile of Rear Wheels | \$342 | |
|--------|---|-------|--|

Custom Offset Profiled Sideguards (Removable or Fold-Down) CMD 007. Please specify desired offset to nearest ±½" (e.g., ±0.50") and sideguard type (rigid or fold-down) in the Notes section of the order form. Sideguard material must be selected. Some limitations may apply.

CUSTOM CONFIGURATION OPTIONS

ARMRESTS (Desk Arms come with built-in Side Guards.)

| | | | |
|-------|--|-------|-------|
| TARM1 | Swing Away Tubular <input type="checkbox"/> 6.5" to 9.5" OR <input type="checkbox"/> 9.5" to 12.5" (Not Available with Non-Folding, Fixed Height Titanium Seat Back or Height Adjustable Push Handles.) | \$244 | E0973 |
| TARM4 | <input type="checkbox"/> Swing Away - Flip Back Tubular 8.5" to 11.5" (Not Available with Non-Folding, Fixed Height Titanium Seat Back.) | \$342 | E0973 |
| TARM2 | Removable Height Adjustable Desk Arm with Rigid Side Guard (Requires 14" minimum Seat Depth B. Not available with Ergonomic Seat.) | \$363 | E0973 |
| | <input type="checkbox"/> 9" to 12" OR <input type="checkbox"/> 12" to 15" | | |
| | <input type="checkbox"/> Standard Length Pad (10") OR <input type="checkbox"/> Full Length Pad (14") | | |
| TARM3 | Removable Height Adjustable Desk Arm with Rigid Side Guard and Transfer Loop (Requires 15" minimum Seat Depth B. Not Available with Ergonomic Seat.) | \$406 | E0973 |
| | <input type="checkbox"/> 9" to 12" OR <input type="checkbox"/> 12" to 15" | | |
| | <input type="checkbox"/> Standard Length Pad (10") OR <input type="checkbox"/> Full Length Pad (14") | | |

Available Armrest Option

| | | | |
|-------|---|-------|--|
| TARM5 | <input type="checkbox"/> Covered in Black Ultrasuede (Not available with Desk Arms) | \$120 | |
|-------|---|-------|--|

SEAT BELTS

| | | | |
|--------|---|-------|-------|
| TBLT1 | <input type="checkbox"/> Velcro Adjustable, Black Nylon Webbing | \$61 | E0978 |
| TBLT2 | <input type="checkbox"/> Bodypoint® 2" Push-Button Buckle (Auto-Style.) | \$103 | E0978 |
| TBLT4 | <input type="checkbox"/> Bodypoint® 1" Wide Push-Button Buckle Padded (Auto-Style.) (Not available with 19" or 20" Rear Seat Widths A.) | \$196 | E0978 |
| TBLT5 | <input type="checkbox"/> Bodypoint® 1.5" Wide Push-Button Buckle Padded (Auto-Style.) (Not available with 19" or 20" Rear Seat Widths A.) | \$185 | E0978 |
| TBLT10 | <input type="checkbox"/> Bodypoint® Optional Band Clamp Mounting Hardware | \$22 | K0108 |
| TBLT16 | <input type="checkbox"/> Bodypoint® EvoFlex® Pelvic Stabilizer Push Button | \$201 | E0978 |

CALF STRAP

| | | | |
|-------|--|-------|-------|
| TCLF2 | Velcro Adjustable | \$44 | K0038 |
| | <input type="checkbox"/> Small (Recommended for 9" - 12" Footrest Widths.) | | |
| | <input type="checkbox"/> Medium (Recommended for 11" - 15" Footrest Widths.) | | |
| | <input type="checkbox"/> Large (Recommended for 14" - 17" Footrest Widths.) | | |
| | <input type="checkbox"/> Xtra Large (Recommended for 16" - 19" Footrest Widths.) | | |
| TCLF3 | Bodypoint® Padded Velcro Adjustable | \$109 | K0038 |
| | <input type="checkbox"/> Medium (Recommended for 11" - 15" Footrest Widths.) | | |
| | <input type="checkbox"/> Large (Recommended for 16" - 19" Footrest Widths.) | | |
| TCLF1 | <input type="checkbox"/> Buckle Adjustable, Black Nylon Webbing | \$34 | K0038 |

RESIDUAL LIMB SUPPORT

| | | | |
|-------|---|-------|-------|
| TRSL1 | <input type="checkbox"/> Residual Limb Support <input type="checkbox"/> Left OR <input type="checkbox"/> Right (8" width x 10" length) | \$428 | E1020 |
| TRSL2 | <input type="checkbox"/> Residual Limb Support Pair (8" width x 10" length) | \$855 | E1020 |

BACKPACK

| | | | |
|-------|--|-------|--|
| TBCK3 | <input type="checkbox"/> Permobil Medical Necessities Backpack | \$103 | |
|-------|--|-------|--|

SEAT POUCH

| | | | |
|-------|--|-------|--|
| TPCH3 | <input type="checkbox"/> Permobil Medical Necessities Seat Pouch | \$66 | |
| TPCH4 | <input type="checkbox"/> Bodypoint® Mobility Bag | \$109 | |

TiLite TR TRA Order Form

Effective Jan 2024 (New Items in Red)

DUAL-TUBE RIGID FRAME

Page 8 of 8

SPOKE GUARDS

TRGD1 Clear Lexan with TiMotion Logo (Not available with Mag Rear Wheels.).....\$147 K0065

ANTI-TIPS

TTIP1 Rear Aluminum - Black.....\$174 E0971

TTIP2 User Friendly Flip-up.....\$363 E0971

ACCESSORIES

TUEST1 Upper Extremity Support Tray 12" to 14" OR 13" to 15" Seat Widths A (Requires Armrests.).....\$315 E0950

TLUG1 Luggage Carriers.....\$158

TMPCT2 Black Neoprene Impact Guards with Ultrasuede Stripe\$115

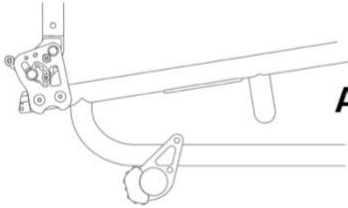
TCH1 Crutch Holder.....\$244 E2207

TAFP1 4" Logo Patch Army Navy Air Force Marines.....\$115

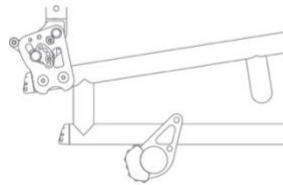
NOTES

The rear frame for a TR will be square when the Center of Gravity H measurement is less than 3.5". TRA will always be a Rounded Rear Frame.

GENERAL



A. Round rear frame



B. Square rear frame

More options and frame modifications may be available through our Creative Mobility Division! Please contact customer service for details or [click here](#) to view options.

Permobil manufactures TiLite manual wheelchairs in a wide variety of configurations to meet the varied needs of wheelchair users. The final selection of a particular model, its options and accessories, and its measurements rests solely with the wheelchair user and advising healthcare professional. These wheelchairs must be fitted by a qualified healthcare professional. HCPCS Codes are for reference purposes only. Actual coding and coverage varies by payer. Proper HCPCS coding is not a guarantee of payment. Please verify the appropriate payer's coverage policy.

Get the latest order forms at permobilus.com. Prices, standard features, options and accessories are subject to change without notice. All rights reserved. Trademarks are identified by symbols™ and ®. TiLite, TiFit, the TiLite logo, Ti, the Ti logo, and TiShaft are registered trademarks of TiSport, LLC and are licensed to Permobil. Permobil® is a registered trademark of Permobil. Adobe®, Acrobat®, Acrobat Professional® and Reader® are registered trademarks of Adobe Systems Inc. Bodypoint® is a registered trademark of Bodypoint Inc. Kenda® is a registered trademark of Kenda Rubber Industrial Co. Ltd. ROHO®, AGILITY®, Low Profile® and Quadtro Select® are registered trademarks of ROHO Inc. Schwalbe® is a registered trademark of Ralf Bohle GmbH. The Natural-Fit® and Out-Front® are registered trademarks of Three Rivers Holdings, LLC. The ACTA-BACK®, ACTA-EMBRACE™, COMFORT-TEK™, COMPASS®, CURVE®, ELEMENTS®, and STRETCH AIR™ are registered trademarks of THE COMFORT COMPANY® and are licensed to Permobil. Q'Straint® is a registered trademark of Q'Straint Inc.

NOTES

QUOTE THIS CHAIR

If you are using Adobe Acrobat, this order form may be converted into a quote request or into an order by clicking one of the buttons (this feature is available exclusively to Permobil dealers and distributors). A Quote or an Order Confirmation will be sent to you within 24 hours.

ORDER THIS CHAIR