

TiLite Pilot Order Form

CARBON RIGID, GROWABLE FRAME

Effective Jan 2024 (New Items in Red)

PROVIDER INFORMATION		RTS INFORMATION		
PROVIDER:	Account #:	RTS:	Phone:	
PO:	Ordered By:	Email:		
Email:		SHIP TO INFORMATION		
Mark For:	User Weight:	Name:	Ship Via:	
TiLite Sales Rep:		Address:		
TiLite Information:	Promo Code:	City:	State:	Zip:
Ship Date:	Order #:	Phone:	Fax:	

Please Email or Fax to the Permobil Manual Customer Experience Team at tilitesales@permobil.com or 509.586.2413

FRAME STYLE

- TPFS1 **TiLite Pilot INCLUDING Growth Kit** (Full Adjustability. Seat Width **A** grows 2" and Seat Depth **B** grows 3".) 120 Pound Weight Limit. Price includes one-time growth kit and Transit Tie-Down option. Additional growth kits sold separately.)..... **\$3,640** E1235, E1237
- TPFS2 **TiLite Pilot OMIT Growth Kit**..... **\$3,380** E1235, E1237

SMARTDRIVE POWER ASSIST SYSTEM

- TPMAXSD1 **Permobil Smart Drive MX2+*** (N/A with rear seat heights less than 13.5", or 20" rear wheels)..... **\$7,529** E0986
- TPMAXSD18 SwitchControl Buttons..... **NCO**
- TPMAXSD8 SwitchControl Button with Mono Jack Option..... **\$159**
- TPMAXSD19 **NEW** Buddy Button..... **\$262**
- TPMAXSD4 Carrying Bag..... **\$84**
- TPMAXSD10 Universal Padded Handle..... **\$22**

*SmartDrive apps available on Apple App Store and Google Play Store for Apple Watch Series 5 or newer and Samsung Galaxy Watch 4 or newer.

TRANSIT TIE-DOWN OPTION

- TPWTB Transport Brackets (Consists of four Tie-Down Brackets.)..... **NCO**
- TPTTD0 Transit Tie-Down (Tested to WC-19. Refer to the Transit Tie-Down Option Brochure for important information regarding the Transit Tie-Down options. WC-19 Tie-Down Brackets require the TiLite back and head support. **95 lb weight limit.** Transit Option is not available with user weight less than **51 lbs**)..... **\$271**

FRAME FINISHES

- TPF29 Neon Pink TPF14 Ocean Blue Metallic TPF30 Acid Green Metallic TPF25 Electric Plum..... **STD**

COLOR ANODIZE PACKAGE

(Color Anodize Package includes: Caster Mount, Caster Fork, and Caster Caps. If no anodize color is selected, the default will be black.)

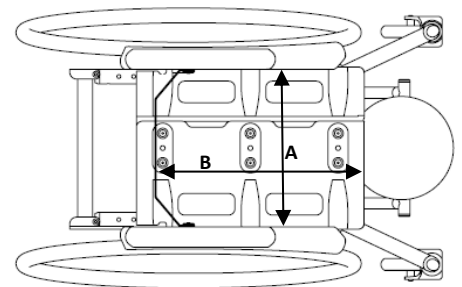
- ZANO1 Black..... **STD**
- ZAN12 Gold ZAN15 Green ZAN13 Purple ZAN14 Orange ZAN10 Blue ZAN11 Red..... **NCO**

FRAME MEASUREMENTS

FRONT SEAT TO FLOOR HEIGHT, REAR SEAT TO FLOOR HEIGHT, CENTER OF GRAVITY AND SEAT TO FOOTREST

Please see the table below for available configuration adjustment ranges. Center of gravity will be set at the factory. See documentation shipped with chair for detailed information on adjustments.

SEAT DEPTH	MEASUREMENT:	20" REAR WHEEL	22" REAR WHEEL	24" REAR WHEEL
		AVAILABLE RANGE (IN):	AVAILABLE RANGE (IN):	AVAILABLE RANGE (IN):
9"	FRONT SEAT HEIGHT	12.5-15	N/A	N/A
	REAR SEAT HEIGHT	12-13.5	N/A	N/A
	CENTER OF GRAVITY	0.5-1.5	N/A	N/A
10"	FRONT SEAT HEIGHT	12-15	N/A	N/A
	REAR SEAT HEIGHT	12-13.5	N/A	N/A
	CENTER OF GRAVITY	0.5-2.25	N/A	N/A
11"	FRONT SEAT HEIGHT	12-15	13.5-16.5	14-16.5
	REAR SEAT HEIGHT	12-13.5	13-15	13.5-16
	CENTER OF GRAVITY	0.5-3	0.5-2.25	0.5-2.25
12"	FRONT SEAT HEIGHT	12-15	13.5-16	14-16.5
	REAR SEAT HEIGHT	12-13.5	13-15	13.5-16
	CENTER OF GRAVITY	0.5-3.5	0.5-3.25	0.5-3.25
13"	FRONT SEAT HEIGHT	N/A	13-16	13.5-16.5
	REAR SEAT HEIGHT	N/A	13-15	13.5-16
	CENTER OF GRAVITY	N/A	0.5-3.5	0.5-3.5



TiLite Pilot Order Form

CARBON RIGID, GROWABLE FRAME

Effective Jan 2024 (New Items in Red)

Page 2 of 5

14"	FRONT SEAT HEIGHT	N/A	13-16	13.5-16.5
	REAR SEAT HEIGHT	N/A	13-15	13.5-16
	CENTER OF GRAVITY	N/A	0.5-3.5	0.5-3.5
15"	FRONT SEAT HEIGHT	N/A	13-16	13.5-16.5
	REAR SEAT HEIGHT	N/A	13-15	13.5-15.5
	CENTER OF GRAVITY	N/A	1.5-3.5	1.5-3.5

FRAME MEASUREMENTS

SEAT WIDTH A Measure inside width from side panel to side panel. Seat width grows 2" if selected width is between 8" and 12". The 13" width will grow a maximum of 1", and the 14" width will not grow any wider. Refer to chart for seat depth availability.

TPSW1 8" 9" 10" 11" 12" 13" 14".....**STD**

SEAT DEPTH RANGE: The seat depth can be grown within the selected range.

9"-12" 11"-15".....**STD**

SEAT DEPTH B Measure from front of seat pan to front of back support cushion.

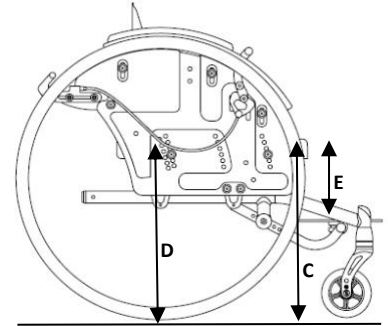
TPSD1 9" 10" 11" 12" 13" 14" 15".....**STD**

FRONT SEAT HEIGHT C Measure from the floor to the top edge of the front of the seat pan. Adjustable in 0.5" increments.

TPFSH1 12" 12.5" 13" 13.5" 14" 14.5" 15" 15.5" 16" 16.5".....**STD**

REAR SEAT HEIGHT D Measure from the floor to the top edge of the of the seat pan at the intersection of the front of the back support pad and the seat pan. Adjustable in 0.5" increments.

TPRSH1 12" 12.5" 13" 13.5" 14" 14.5" 15" 15.5" 16" 16.5".....**STD**



FOOTREST TYPE

TPFTR3 Angle Adjustable Footrest.....**STD**

TPFTR24 Flip-Back Depth and Angle Adjustable Footrest (Not available on 8", 9" or 14" seat width).....**\$233 K0040**

SEAT TO FOOTREST E Measure from the top of the footplate to the front of the seat pan. For an angle adjustable footrest, this measurement must be at least 2" less than front seat height. For a Flip-Back Depth and Angle Adjustable footrest, this measurement must be at least 3" less than front seat height.

3" 3.5" 4" 4.5" 5" 5.5" 6" 6.5" 7" 7.5" 8" 8.5" 9" 9.5" 10" 10.5" 11" 11.5" 12" 12.5" 13" 13.5" 14" 14.5".....**STD**

COMFORT BACK SUPPORTS (Cane mounted hardware is WC-20 certified.)

TPSB4 ACTA-BACK® Back Support (Available on 12" to 14" seat widths)

Back support length: 10" 12" 14".....**\$616 E2613**

TPSB5 ACTA-EMBRACE® Back Support (Available on 10" to 14" seat widths)

Back support length: 10" 12" 14".....**\$642 E2613**

Comfort Back Options:

TPCHD1 Backrest Mounting Hardware: Cane Mount Hardware.....**STD**

TPFAB1 Cover Fabric: Comfort-Tek® Stretch-Air®.....**NCO**

TPLAT1 BodiLink® 3"L x 4"D Lateral trunk support, each (Swing away, GlideWear cover, non-padded)

Mounting Location: Left Right.....**\$423 E0956, E1028**

SEAT BACK TYPE Measure from top of back support to seat pan. Back support shell height is 9.5" with scapular cutouts.

TPSB2 Contoured Non-Folding Adjustable-Height Rigid Back with Pad (11" to 13" height range).....**NCO E2613**

TPSB3 Aluminum Canes for Aftermarket back support, no Pad (Not available with height adjustable fenders.).....**NCO**

HEAD SUPPORT (The Comfort head support is WC-20 certified on the Acta-Back and Acta-Embrace. The head support is WC-19 certified when used with the TiLite backrest.)

TPHDR1 Comfort BodiLink Head Support with GlideWear® cover (Uses piano taper midline hardware. Available on Acta-Back, Acta-Embrace and TiLite rigid back supports)

Width: 6" 8".....**\$504 E0955, E1028**

PUSH HANDLES (Height adjustable range is 33" - 40" as measured from the floor with 24" (540) wheels.)

TPSB6 Bolt-On Height-Adjustable Removable Single Push Handle.....**\$196**

TPSB7 Bolt-On Height-Adjustable Removable Dual Push Handles.....**\$239**

CAMBER / CAMBER TUBES (Aluminum Camber tube standard. Anodize color will be black.)

2° (Minimum 1.5" rear wheel spacing) 4° (Minimum 1.25" rear wheel spacing) 6° (Minimum 1" rear wheel spacing) 8" 12".....**STD**

REAR WHEEL SPACING Measure from outside of side panel to inside of rear tire at top of wheel. (Not all rear wheel spacing is available with all accessories.)

TPRWS1 0.75" 1" 1.25" 1.5" 1.75" 2".....**STD**

TPCBR12 Adjustable Rear Wheel Spacing Camber Plugs.....**STD**

TPCBR9 Additional Spacers to Increase Rear Wheel Spacing.....**NCO**

FRONT WHEELS

TPFW14 4" X 0.75" Plastic Wheel w/Poly Tire.....**STD**

TPFW3 4" X 0.75" Light-Up Micro-Caster.....**\$88**

TiLite Pilot Order Form

CARBON RIGID, GROWABLE FRAME

Effective Jan 2024 (New Items in Red)

- TPFW26 4" X 1.5" LiteSpeed Plastic Wheel w/Soft Roll Tire.....\$112
 TPFW27 4" X 1.5" LiteSpeed Billet Aluminum Wheel w/Soft Roll Tire Black Hub.....\$217

CUSTOM CONFIGURATION OPTIONS

REAR WHEELS

- TPRW14 TiLite SHADOW™.....STD
 20"(451) Only available with seat depth range 9"-12".
 22"(501) Only available with seat depth range 11"-15".
 24"(540) Only available with seat depth range 11"-15".
- TPRW7 Spinergy SPOX Black Red Blue White Orange Pink Purple Green (Orange, Pink, Purple and Green only available in 20" size.).....\$915
 20"(451) - Std. Hub
 22"(501) - Std. Hub Only available with seat depth range 11"-15".
 24"(540) - Std. Hub Only available with seat depth range 11"-15".
- TPRW8 Spinergy LX Black Red Blue White Bright Orange Flamingo Pink Purple Green.....\$1,148
 22"(501) - Std. Hub Only available with seat depth range 11"-15".
 24"(540) - Std. Hub Only available with seat depth range 11"-15".
- TPRW9 Spinergy Design Lab LX Wheels (If same color is selected, anodized hubs and rims match color anodized package on page 1. Available with black spokes only.)
 Gold Anodize Green Anodize Blue Anodize Red Anodize Purple Anodize Orange Anodize.....\$1,364
 22"(501) - Std. Hub
 24"(540) - Std. Hub
- TPRW16 Spinergy® Carbon Blade with 2x2 Twill Weave Carbon.....\$1,602
 24"(540) Not available with solid tires or airless inserts. Only available with seat depth range 11"-15".
- TPRW17 X-Core Mag (Not available with Short Tabs, Quad Release Axles, or Omit Handrims Option.).....\$66
 20"(451) Only available with seat depth range 9"-12".
 22"(501) Only available with seat depth range 11"-15".
 24"(540) Only available with seat depth range 11"-15".

AXLES

- TPAXL1 Stainless Quick Release.....STD
 TPAXL3 Quad Release (Not available with Mag Rear Wheels.).....\$169

PNEUMATIC REAR TIRES

- TPRTR1 Treaded Treaded 22"(501), 24"(540), and 26"(590).....STD
 TPRTR2 Airless Inserts.....\$98
 ZRTR31 MBL SpeedLite 20"(451), 22"(501), 24"(540).....STD
 TPRTR30 Primo Sentinel (Available on all wheel sizes, 20" (451), 22" (501), and 24" (540)).....\$136
 TPRTR8 Schwalbe Marathon (Only available on 24" (540)).....\$152

E2213

HANDRIMS

- TPRIM1 Aluminum – Silver Anodized.....STD
 TPRIM21 Aluminum – Black Anodized (Not available with 20" (451) Rear Wheels.).....NCO

The Natural-Fit® LT (Reduced Weight, Smaller Profile) (Not available with 20"(451) Rear Wheels.)

- TPRIM17 Standard Grip (Not available with Short Tabs or Spinergy Carbon Blade Rear Wheels.).....\$440
 TPRIM18 Super Grip (Not available with Short Tabs or Spinergy Carbon Blade Rear Wheels.).....\$514
 TPRIM19 Without Thumb Grip.....\$423
 TPRIM11 The Surge LT (All-In-One Oval with Gription™ Strip, Smaller Profile) (Not available with 20"(451) Rear Wheels.).....\$466
 TPRIM20 Q-Grip (Exclusive High-Friction, Anti-Slip Coating) (Not available with 20"(451) Rear Wheels.).....\$358

Additional Handrim Options

- TPRIM5 Plastic Coated – Black (Not available with Mag Rear Wheels.).....\$174
 TPRIM22 Omit Handrims.....NCO

Tab Length

- TPRIM7 Long Tabs.....STD
 TPRIM8 Short Tabs (Not available with Mag Rear Wheels or The Natural-Fi® Handrims with Thumb Grip.).....\$28

WHEEL LOCKS

- TPWLK30 **NEW!** Compact Push to Lock (Redesigned with more clamping force).....NCO
 TPWLK31 **NEW!** Compact Pull to Lock (Redesigned with more clamping force).....NCO

Mounting Location:

- Standard Location **F** Forward Mount Location **G** (Mounted on forward front of side panel.)

SOLID SEAT PAN

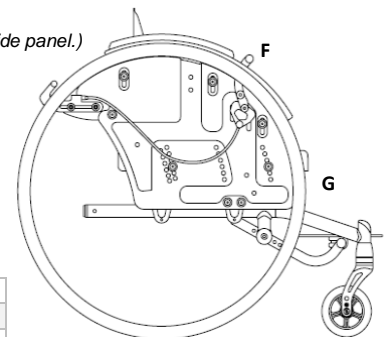
- TPSP1 Solid Seat Pan (Required Option).....\$163 E2231

SEAT CUSHION

- TPCSH2 Comfort Curve Cushion (Stretch-Air cover).....\$122 E2601
 TPCS23 Comfort Acta-Embrace™ Comfort-Tek Zero Elevation Cushion...\$428 E2607
 TPCSH11 ROHO® LOW PROFILE® Single Compartment Cushion.....\$534 E2622

Comfort Acta-Embrace Cushion Compatibility

Seat Width	Seat Depth	Seat Width	Seat Depth
10"	10", 11", 12", 13", 14", 15"	13"	10", 11", 12", 13", 14", 15"
11"	10", 11", 12", 13", 14", 15"	14"	10", 11", 12", 13", 14", 15"
12"	10", 11", 12", 13", 14", 15"		



TiLite Pilot Order Form

CARBON RIGID, GROWABLE FRAME

Effective Jan 2024 (New Items in Red)

Page 4 of 5

CUSTOM CONFIGURATION OPTIONS

ROHO® OPTIONS: (Made to order options have a 2-3 week lead time)

		SEAT DEPTH (B)					
		10"	11"	12"	13"	14"	15"
SEAT WIDTH (A)	8"	Made to Order	Made to Order	Made to Order	Made to Order	Made to Order	Made to Order
	9"	Made to Order	Made to Order	Made to Order	Made to Order	Made to Order	Made to Order
	10"	Made to Order	Made to Order	Made to Order	Made to Order	Made to Order	Made to Order
	11"	Made to Order	Stocked	Stocked	Stocked	Made to Order	Made to Order
	12"	Made to Order	Stocked	Stocked	Stocked	Made to Order	Made to Order
	13"	Made to Order	Made to Order	Made to Order	Stocked	Stocked	Stocked
14"	Made to Order	Made to Order	Made to Order	Stocked	Stocked	Stocked	

SIDE GUARDS: (Side guards required)

- TPSDG30 Built in Side Guard with Height Adjustable Fender (Not available with 20" rear wheels, .).....\$487
 TPSDG31 Built in Side Guard WITHOUT Fender.....STD

ARMRESTS (Armrests attach to built in Side Guards.)

- TPARM2 Height Adjustable Desk Arm w/ 10" Pad (Works with Fendered Side Guard Attachment Option.).....\$363 E0973
 TPARM31 Height Adjustable Armrest.....STD

UPPER BODY POSITIONING

- TPUBP1 Bodypoint® PivotFit™ Dynamic shoulder harness with cam buckle mounts, rear-pull\$228 E0960
 Extra Small Small
 TPUBP2 Bodypoint® Monoflex™ chest support.....\$217 E0960
 Extra Small Small

PELVIC POSITIONING BELTS

- TPBLT1 Velcro Adjustable, black nylon webbing seat belt.....\$61 E0978
 TPBLT8 Q'Straint® WC-19 Wheelchair-Anchored Pelvic Belt (Recommended for use with Transit Tie Down..)\$217 E0978
 TPBLT30 Bodypoint® 1" wide two-point padded hip belt with swivel buckle.....\$196 E0978
 TPBLT16 Bodypoint® 1" wide Evoflex® belt with small push-button buckle.....\$201 E0978

LOWER BODY POSITIONING

- TPCLF15 Bodypoint® Ankle Huggers®.....\$244 E0951
 Extra Small Small

ANTI-TIPS

- TPTIP1 Rear Aluminum - Black.....\$169 E0971
 TPTIP7 Single Anti-tip.....\$136 E0971
 Mounting Location: Right Side Left Side

BACKPACK

- TPBCK3 Permobil Medical Necessities Backpack.....\$103

SPOKE GUARDS

- TPGRD30 Clear polycarbonate spoke guard with TiLite Pilot sticker pack (Not available with Mag Rear Wheels.).....\$147 K0065

ACCESSORIES

- TPCH1 Crutch Holder.....\$244 E2207

GENERAL

Permobil manufactures TiLite manual wheelchairs in a wide variety of configurations to meet the varied needs of wheelchair users. The final selection of a particular model, its options and accessories, and its measurements rests solely with the wheelchair user and advising healthcare professional. These wheelchairs must be fitted by a qualified healthcare professional. HCPCS Codes are for reference purposes only. Actual coding and coverage varies by payer. Proper HCPCS coding is not a guarantee of payment. Please verify the appropriate payer's coverage policy.

Get the latest order forms at permobilus.com. Prices, standard features, options and accessories are subject to change without notice. All rights reserved. Trademarks are identified by symbols™ and ®. TiLite, TiFit, the TiLite logo, Ti, the Ti logo, and TiShaft are registered trademarks of TiSport, LLC and are license d to Permobil. Permobil® is a registered trademark of Permobil. Adobe®, Acrobat®, Acrobat Professional® and Reader® are registered trademarks of Adobe Systems Inc. Bodypoint® is a registered trademark of Bodypoint Inc. Kenda® is a registered trademark of Kenda Rubber Industrial Co. Ltd. ROHO®, AGILITY®, Low Profile® and Quadro Select® are registered trademarks of ROHO Inc. Schwalbe® is a registered trademark of Ralf Bohle GmbH. The Natural-Fit® and Out-Front® are registered trademarks of Three Rivers Holdings, LLC. The ACTA-BACK®, ACTA-EMBRACE™, COMFORT-TEK™, COMPASS®, CURVE®, ELEMENTS®, and STRETCH AIR™ are registered trademarks of THE COMFORT COMPANY® and are licensed to Permobil. Q'Straint® is a registered trademark of Q'Straint Inc.

NOTES

QUOTE THIS CHAIR

If you are using Adobe Acrobat, this order form may be converted into a quote request or into an order by clicking one of the buttons (this feature is available exclusively to Permobil dealers and distributors). A Quote or an Order Confirmation will be sent to you within 24 hours.

ORDER THIS CHAIR