

# TiLite CR1

Effective October 2023 (New Items in Red)

MONO-TUBE RIGID CARBON FIBER FRAME

Page 1 of 5

PROVIDER INFORMATION		ATP INFORMATION	
Provider:	Account #:	ATP:	Phone:
PO:	Ordered By:	Email:	
Email:		SHIP TO INFORMATION	
Mark For:		Name:	Ship Via:
TiLite Sales Rep:		Address:	
<b>TiLite Information:</b>	Promo Code:	City:	State: Zip:
Ship Date:	Order #:	Phone:	Fax:

Please Email to the Permobil Manual Customer Experience Team at [orders@permobil.com](mailto:orders@permobil.com) or Fax to 509.586.2413

FRAME STYLE	
CFS1	<input type="checkbox"/> TiLite CR1 Carbon Fiber Frame (Minimal Adjustability. 231 lb. (105 kg) Weight Limit.) .....\$8,320

## SMARTDRIVE POWER ASSIST SYSTEM

CMAXSD1	<input type="checkbox"/> Permobil Smart Drive MX2+ (requires CCBR2 SmartDrive Ready Carbon Fiber Camber Tube) .....\$7,529 E0986
CMAXSD16	<input type="checkbox"/> NEW SpeedControl Dial CMAXSD17 <input type="checkbox"/> Extended Mount OR CMAXSD18 <input type="checkbox"/> SwitchControl Buttons.....NCO
CMAXSD8	<input type="checkbox"/> SwitchControl Button with Mono Jack Option.....\$159
	CMAXSD19 <input type="checkbox"/> NEW Buddy Button.....\$262
CMAXSD4	<input type="checkbox"/> Carrying Bag.....\$84
CMAXSD10	<input type="checkbox"/> Universal Padded Handle.....\$22

\*SmartDrive apps available on Watch OS (Apple Watch Series 5 or newer and Samsung Galaxy Watch 4 or newer).

## COLOR ANODIZE PACKAGE

(Color Anodize Package includes: Rear Strut Band-Clamps, Footrest Clamps, Caster Center Caps, Side Guard Caps. If no anodize color is selected, the default will be Charcoal Grey.)

<input type="checkbox"/> CANO16 Charcoal Grey.....	STD
<input type="checkbox"/> CANO12 Gold <input type="checkbox"/> CANO15 Green <input type="checkbox"/> CANO13 Purple <input type="checkbox"/> CANO14 Orange	
<input type="checkbox"/> CANO10 Blue <input type="checkbox"/> CANO11 Red.....	NCO

## CG BRACKET & TRIM RINGS (Includes: Upper and Lower CG Brackets and Frame and Backrest Trim Rings)

<input type="checkbox"/> CANO16 Charcoal Grey <input type="checkbox"/> CANO17 Brushed Aluminum (with clear anodize).....	NCO
--	-----

## TiFit: TAILORED INDIVIDUALIZED FRAME

**SEAT WIDTH "A"** Measure from outside of seat tube to the outside of the opposite seat tube.

CSW1	<input type="checkbox"/> 13" (requires CBUP3 Padded Tension Adjustable by strap back upholstery).....	STD
CSW1	<input type="checkbox"/> 14" <input type="checkbox"/> 15" <input type="checkbox"/> 16" <input type="checkbox"/> 17" <input type="checkbox"/> 18".....	STD

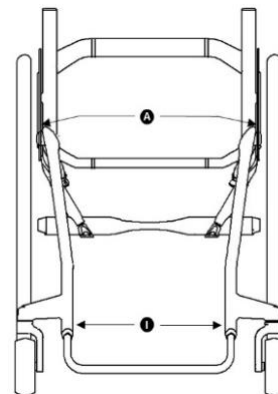
**SEAT DEPTH "B"** Measure from front of back post (at the intersection with the seat tube) to the front edge of seat sling. Frame bend will start 1" in front of seat sling unless additional Custom Frame Depth is specified or the combination of specifications affect the rolling dynamics or functionality of the chair. Please note that 1" is the equivalent to .5" in front of the seat sling on other TiLite frame styles.

Seat Depth	Rear Seat-to-Floor Height "D"	Front Seat-to-Floor Height "C"	Frame Type
<input type="checkbox"/> 13" Deep	1.6" less than FSTFH	<input type="checkbox"/> 17.5" <input type="checkbox"/> 17.75" (requires 3" casters and 24" rear wheels)	Frame 1
		<input type="checkbox"/> 18" - 20.75" (in .25" increments) Set at _____"	
	2.3" less than FSTFH	<input type="checkbox"/> 18" - 20.75" (in .25" increments) Set at _____"	Frame 2
	2.9" less than FSTFH	<input type="checkbox"/> 18" - 20.75" (in .25" increments) Set at _____"	Frame 3

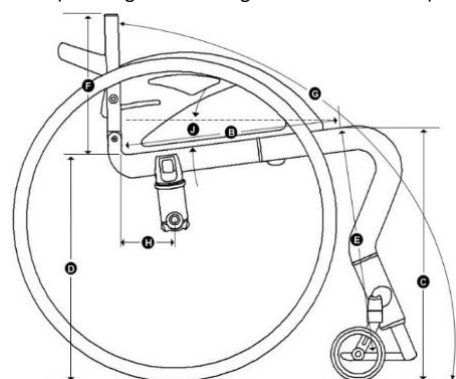
2" additional custom frame depth available in .5" increments

Seat Depth	Rear Seat-to-Floor Height "D"	Front Seat-to-Floor Height "C"	Frame Type
<input type="checkbox"/> 14" Deep	1.7" less than FSTFH	<input type="checkbox"/> 17.5" <input type="checkbox"/> 17.75" (requires 3" casters and 24" rear wheels)	Frame 1
		<input type="checkbox"/> 18" - 20.75" (in .25" increments) Set at _____"	
	2.4" less than FSTFH	<input type="checkbox"/> 18" - 20.75" (in .25" increments) Set at _____"	Frame 2
	3.1" less than FSTFH	<input type="checkbox"/> 18" - 20.75" (in .25" increments) Set at _____"	Frame 3

2" additional custom frame depth available in .5" increments



Frame 1  
(seat angle "J" is 7 degrees from horizontal)



# TiLite CR1

Seat Depth	Rear Seat-to-Floor Height "D"	Front Seat-to-Floor Height "C"	Frame Type
☐ 15" Deep	1.8" less than FSTFH	<input type="checkbox"/> 17.5" ☐ 17.75" (requires 3" casters and 24" rear wheels)	Frame 1
		<input type="checkbox"/> 18" – 20.75" (in .25" increments) Set at _____"	
	2.6" less than FSTFH	<input type="checkbox"/> 18" – 20.75" (in .25" increments) Set at _____"	Frame 2
	3.4" less than FSTFH	<input type="checkbox"/> 18" – 20.75" (in .25" increments) Set at _____"	Frame 3

2" additional custom frame depth available in .5" increments

Seat Depth	Rear Seat-to-Floor Height "D"	Front Seat-to-Floor Height "C"	Frame Type
☐ 16" Deep	1.9" less than FSTFH	<input type="checkbox"/> 17.5" ☐ 17.75" (requires 3" casters and 24" rear wheels)	Frame 1
		<input type="checkbox"/> 18" – 20.75" (in .25" increments) Set at _____"	
	2.8" less than FSTFH	<input type="checkbox"/> 18" – 20.75" (in .25" increments) Set at _____"	Frame 2
	3.6" less than FSTFH	<input type="checkbox"/> 18" – 20.75" (in .25" increments) Set at _____"	Frame 3

2" additional custom frame depth available in .5" increments

Seat Depth	Rear Seat-to-Floor Height "D"	Front Seat-to-Floor Height "C"	Frame Type
☐ 17" Deep	2.1" less than FSTFH	<input type="checkbox"/> 18" – 20.75" (in .25" increments) Set at _____"	Frame 1
	3.0" less than FSTFH	<input type="checkbox"/> 18" – 20.75" (in .25" increments) Set at _____"	Frame 2
	3.8" less than FSTFH	<input type="checkbox"/> 18" – 20.75" (in .25" increments) Set at _____"	Frame 3

2" additional custom frame depth available in .5" increments

Seat Depth	Rear Seat-to-Floor Height "D"	Front Seat-to-Floor Height "C"	Frame Type
☐ 18" Deep	2.2" less than FSTFH	<input type="checkbox"/> 18" – 20.75" (in .25" increments) Set at _____"	Frame 1
	3.1" less than FSTFH	<input type="checkbox"/> 18" – 20.75" (in .25" increments) Set at _____"	Frame 2
	4.0" less than FSTFH	<input type="checkbox"/> 18" – 20.75" (in .25" increments) Set at _____"	Frame 3

1" additional custom frame depth available in .5" increments

Seat Depth	Rear Seat-to-Floor Height "D"	Front Seat-to-Floor Height "C"	Frame Type
☐ 19" Deep	2.3" less than FSTFH	<input type="checkbox"/> 18" – 20.75" (in .25" increments) Set at _____"	Frame 1
	3.3" less than FSTFH	<input type="checkbox"/> 18" – 20.75" (in .25" increments) Set at _____"	Frame 2
	4.3" less than FSTFH	<input type="checkbox"/> 18" – 20.75" (in .25" increments) Set at _____"	Frame 3

No custom frame depth available

Custom Frame Depth ☐ + \_\_\_\_\_" Frame Depth Longer Than Seat Depth. Measure from front of seat sling to beginning of frame bend and can be given as specific as .5" increments. Cannot be more than 2" additional to the 1" standard (total 3" max) unless noted under the seat depth box. ....NCO

## CUSTOM CONFIGURATION OPTIONS

STANDARD FRONT END "I" Measure from inside of front frame tube to inside of opposite front frame tube.

CFE1 2.1" Taper (footrest width is 4.2" shorter than seat width "A") .....STD

### FRONT ANGLE

CFA1 85° .....STD

SEAT TO FOOTREST "E" Measure from front edge of seat sling to top middle of footrest. Measurement must be 1" to 3" shorter than Front Seat Height "C" ☐ Set at: \_\_\_\_\_ (.25" increments)

CFTR13 ☐ Carbon Fiber Open Loop Footrest (with center support tube) .....STD

CFTR14 ☐ Carbon Fiber Footrest w/Flat Carbon Fiber Cover .....\$200

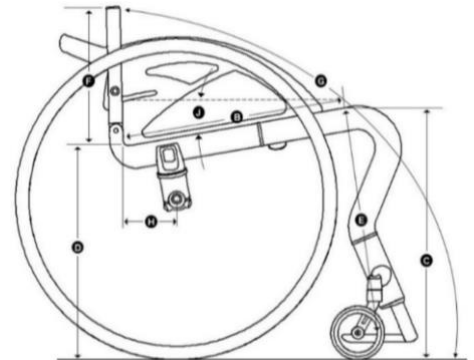
CFCT1 ☐ Flat Carbon Fiber Cover Grip Tape .....\$15

### FOOTREST TRIM RINGS

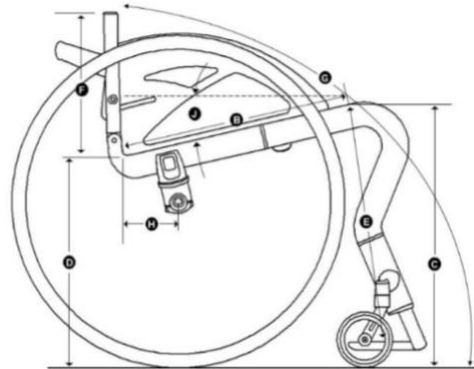
CFAR3 ☐ Stainless Steel .....STD

CFAR4 ☐ Titanium .....\$120

Frame 2  
(seat angle "J" is 10 degrees from horizontal)



Frame 3  
(seat angle "J" is 13 degrees from horizontal)



# TiLite CR1

## BACK SUPPORTS

### ROHO® AGILITY® ACTIVE ALUMINUM Contour Back Support

Shell Height  8"  10"

BRS14	<input type="checkbox"/> AGILITY Active Aluminum Min Contour with Foam.....	\$738	E2620
BRS15	<input type="checkbox"/> AGILITY Active Aluminum Mid Contour with Foam.....	\$738	E2620

### ROHO® AGILITY® ACTIVE CARBON Contour Back Support (2x2 Twill Weave Carbon Fiber)

Shell Height  10"  13"  16"

BRS7	<input type="checkbox"/> AGILITY Carbon Min Contour Back with Foam w/ Air Insert Foam w/ Air Insert.....	\$738	E2620
ACB1	AGILITY Active Carbon Upgrade..... Fixed Hardware.....	\$464 NCO	
BRS9	<input type="checkbox"/> AGILITY Carbon Mid Contour Back with Foam w/ Air Insert Foam w/ Air Insert.....	\$738	E2620
ACB2	AGILITY Active Carbon Upgrade..... Fixed Hardware.....	\$464 NCO	

## BACK UPHOLSTERY

CBUP3	<input type="checkbox"/> <b>NEW</b> Padded Nylon, Tension Adjustable by Strap (required when seat width "A" is 13").....	STD	
CBUP0	<input type="checkbox"/> Omit Back Upholstery.....	NCO	

## TiFit: TAILORED INDIVIDUALIZED FRAME

### SEAT BACK TYPE FOLDING, FIXED-HEIGHT "F" CARBON SEAT BACK (CSB15)

CSBA1	<input type="checkbox"/> Backrest tubes set at: _____ (10" – 17", can be given as specific as .25" increments.) available range with AGILITY Active solid seatback: (8" – 11", 14" - 17").....	STD	
-------	---	-----	--

### SEAT BACK ANGLE "G" Measure angle from front of back post to floor.

CSBA1	<input type="checkbox"/> Set at: _____ (available range 80° - 101°, in 1° increments).....	STD	
-------	--	-----	--

## SIDE GUARDS

CSG1	<input type="checkbox"/> Downward Pivoting/Fixed Lockout Carbon Fiber Side Guards (Custom Cut to Profile of Rear Wheels).....	STD	
CSG2	<input type="checkbox"/> Downward Pivoting/Fixed Lockout Fendered Carbon Fiber Side Guards (Custom Cut to Profile of Rear Wheels)...	\$460	

## PUSH HANDLES

CSB6	<input type="checkbox"/> Integrated Carbon Fiber Push Handles (short).....	\$300	
------	--	-------	--

### CENTER OF GRAVITY "H" Measure from front of back post at the seat tube to the center of the rear axle. Please note that due to its design and materials, the CR1 has a lighter than normal front end compared to other TiLite models which will affect the overall feel when selecting this measurement. There is a maximum 1" of adjustability in either direction from the specified location.

CCOG1	<input type="checkbox"/> 2.25" <input type="checkbox"/> 2.5" <input type="checkbox"/> 2.75" <input type="checkbox"/> 3" <input type="checkbox"/> 3.25" <input type="checkbox"/> 3.5" <input type="checkbox"/> 3.75" <input type="checkbox"/> 4" <input type="checkbox"/> 4.25" <input type="checkbox"/> 4.5" <input type="checkbox"/> 4.75" <input type="checkbox"/> 5".....	STD	
-------	--	-----	--

## CAMBER TUBES

CCBR1	Aero Full Carbon Fiber Camber Tube with integrated Zero Play Carbon Fiber Camber Plugs (Not available on 13" wide chairs or certain configuration combinations) <input type="checkbox"/> 0° <input type="checkbox"/> 2° <input type="checkbox"/> 4°.....	STD	
CCBR2	SmartDrive Ready (round) Carbon Fiber Camber Tube with integrated Zero Play Carbon Fiber Camber Plugs <input type="checkbox"/> 0° <input type="checkbox"/> 2° <input type="checkbox"/> 4°.....	NCO	

## FRONT WHEELS

CFW24	<input type="checkbox"/> 3"x1.5" LiteSpeed-7 Billet Aluminum Wheel w/Soft Roll Tire (required when FSTFH "C" is 17.5") <input type="checkbox"/> Silver Hub <b>OR</b> <input type="checkbox"/> Black Hub.....	NCO	
CFW25	<input type="checkbox"/> 4"x1.5" LiteSpeed-7 Billet Aluminum Wheel w/Soft Roll Tire <input type="checkbox"/> Silver Hub <b>OR</b> <input type="checkbox"/> Black Hub.....	STD	
CFFW26	<input type="checkbox"/> 4"x1.25" (10cmx4cm) LiteSpeed-6 Carbon Fiber Wheel w/Soft Roll Tire.....	\$190	

## FRONT FORKS

CFK2	<input type="checkbox"/> TiLite Slipstream-CR1 Single-Sided Fork (Shorter length and width, stainless steel caster axle).....	STD	
CTFS1	<input type="checkbox"/> Titanium Fork Stem.....	STD	
CTFA1	<input type="checkbox"/> Titanium Caster Axle.....	\$130	

## PERFORMANCE REAR WHEELS

CRW14	Spinergy® Spox <input type="checkbox"/> Black..... <input type="checkbox"/> 24"(540) <input type="checkbox"/> 25"(559)	STD	
CRW16	Spinergy® Carbon Blade (Not available with Natural-Fit or Natural-Fit LT with Standard Grip or Super Grip.)..... <input type="checkbox"/> 24"(540) <input type="checkbox"/> 25"(559)	\$1,429	

# TiLite CR1

## AXLES

CAXL1	<input type="checkbox"/> Stainless Quick Release.....	STD
CAXL2	<input type="checkbox"/> Titanium Quick Release.....	\$277
CAXL3	<input type="checkbox"/> Quad Release.....	\$169

## PNEUMATIC REAR TIRES

CRTR1	<input type="checkbox"/> MBL® SpeedLite.....	STD
CRTR2	<input type="checkbox"/> MBL® Gazelle (Kevlar bead, lightest weight option) .....	\$99
CRTR3	<input type="checkbox"/> Schwalbe® Marathon Plus Evolution.....	\$152

## HANDRIMS

CRIM21	<input type="checkbox"/> Aluminum – Black Anodized.....	STD
CRIM23	<input type="checkbox"/> Spinerge® Aluminum – Anodized to match chair color anodize package.....	\$240
CRIM12	<input type="checkbox"/> Titanium – Satin Finish.....	\$509
CRIM20	<input type="checkbox"/> Q-Grip (Exclusive High-Friction, Anti-Slip Coating) .....	\$358

## The Natural-Fit® LT (Reduced Weight, Smaller Profile)

CRIM17	<input type="checkbox"/> Standard Grip (Not available with Short Tabs or Spinerge Carbon Blade Rear Wheels.) .....	\$440
CRIM18	<input type="checkbox"/> Super Grip (Not available with Short Tabs or Spinerge Carbon Blade Rear Wheels.) .....	\$514
CRIM19	<input type="checkbox"/> Without Thumb Grip.....	\$423

## Tab Length

CRIM7	<input type="checkbox"/> Long Tabs.....	STD
CRIM8	<input type="checkbox"/> Short Tabs (Trimmed, not available with The Natural-Fit® Handrims with Thumb Grip.) .....	\$30

## WHEEL LOCKS

CWLK9	<input type="checkbox"/> MBL® Composite Scissor Lock.....	STD
CWLK10	<input type="checkbox"/> Omit Scissor Lock (Note that selecting this option prevents adding wheel locks at a later date.) .....	NCO

## SEAT UPHOLSTERY

CSUP2	<input type="checkbox"/> Tension Adjustable by Straps (Black upholstery only.) .....	STD
-------	--	-----

## SEAT CUSHION

CSSH2	<input type="checkbox"/> Comfort Curve Cushion (Stretch-Air cover) .....	\$122	E2601
CSSH23	<input type="checkbox"/> Comfort Acta-Embrace™ Comfort-Tek Zero Elevation Cushion .....	\$428	E2607
CSSH11	<input type="checkbox"/> ROHO Single Compartment (Fits seat widths 14" to 19") Profile: <input type="checkbox"/> Low <input type="checkbox"/> Mid <input type="checkbox"/> High.....	\$534	E2622
CSSH14	<input type="checkbox"/> ROHO Quadtro Select (Fits seat widths 14" to 19") Profile: <input type="checkbox"/> Low <input type="checkbox"/> Mid <input type="checkbox"/> High.....	\$534	E2624

## POSITIONING BELT

CBLT1	Velcro Adjustable, Black Nylon Webbing.....	\$61	E0978
-------	---	------	-------

## IMPACT GUARDS

CMPCT2	<input type="checkbox"/> Black Neoprene Impact Guards with Ultrasuede Stripe.....	\$120
--------	---	-------

## CALF STRAP

CCLF3	Bodypoint® Padded Velcro Adjustable.....	\$109	K0038
	<input type="checkbox"/> Medium (Recommended for 13" – 16" Chair Widths.)		
	<input type="checkbox"/> Large (Recommended for 17" – 18" Chair Widths.)		

## BACKPACK

CBCK3	<input type="checkbox"/> Permobil Medical Necessities Backpack.....	\$103
-------	---	-------

## SEAT POUCH

CPCH3	<input type="checkbox"/> Permobil Medical Necessities Seat Pouch.....	\$60
CPCH4	<input type="checkbox"/> Bodypoint® Mobility Bag.....	\$109

## ANTI-TIPS

CTIP1	<input type="checkbox"/> Rear Aluminum – Black.....	\$174	E0971
-------	---	-------	-------

## Military Patch

CAPP1	4" Logo Patch <input type="checkbox"/> Army <input type="checkbox"/> Navy <input type="checkbox"/> Air Force <input type="checkbox"/> Marines.....	\$115
-------	--	-------

## GENERAL

Permobil manufactures TiLite manual wheelchairs in a wide variety of configurations to meet the varied needs of wheelchair users. The final selection of a particular model, its options and accessories, and its measurements rests solely with the wheelchair user and advising healthcare professional. These wheelchairs must be fitted by a qualified healthcare professional. HCPCS Codes are for reference purposes only. Actual coding and coverage varies by payer. Proper HCPCS coding is not a guarantee of payment. Please verify the appropriate payer's coverage policy.

**Get the latest order forms at permobil.com.** Prices, standard features, options and accessories are subject to change without notice. All rights reserved. Trademarks are identified by symbols™ and ©. TiLite, TiFit, the TiLite logo, Ti, the Ti logo, and TiShaft are registered trademarks of TiSport, LLC and are licensed to Permobil. Permobil® is a registered trademark of Permobil. Adobe®, Acrobat®, Acrobat Professional® and Reader® are registered trademarks of Adobe Systems Inc. Bodypoint® is a registered trademark of Bodypoint Inc. ROHO®, AGILITY®, Low Profile® and Quadtro Select® are registered trademarks of ROHO Inc. Spinerge® is a registered trademark of Spinerge Inc. Schwalbe® is a registered trademark of Ralf Bohle GmbH. The Natural-Fit® is a registered trademark of Three Rivers Holdings, LLC. The CURVE® is a registered trademark of THE COMFORT COMPANY® and are licensed to Permobil.

# TiLite CR1

MONO-TUBE RIGID CARBON FIBER FRAME

---

**NOTES**

---

---

**QUOTE THIS CHAIR**

If you are using Adobe Acrobat, this order form may be converted into a quote request or into an order by clicking one of the buttons (this feature is available exclusively to Permobil dealers and distributors). A Quote or an Order Confirmation will be sent to you within 24 hours.

**ORDER THIS CHAIR**