

TiLite Z Order Form (Replaces Aero Z)
Rigid Frame

Effective October 2024 (New items in red)

DEALER INFORMATION		RTS INFORMATION	
Dealer:	Account #:	RTS:	Phone:
PO:	Ordered By:	Email:	
Email:		SHIP TO INFORMATION	
Mark For:	User Weight:	Name:	Ship Via:
TiLite Sales Rep:		Address:	
TiLite Information:	Promo Code:	City:	State: Zip:
Ship Date:	Order #:	Phone:	Fax:

Please contact the Permobil Manual Customer Service Team at chairs.tilite@permobil.com - Phone: 800.736.0925 or Fax: 866.586.2413

FRAME STYLE

- Aluminum Rigid Frame (Full Adjustability).....\$2,750 K0005, E1235
 - 250 lb. weight limit.....STD
 - 275 lb. weight limit.....NCO
- Aluminum Rigid Frame with Transit Tie-Down.....\$2,995 K0005, E1235
 - 250 lb. weight limit.....STD
 - 275 lb. weight limit.....NCO

SMARTDRIVE POWER ASSIST SYSTEM



- Permobil Smart Drive MX2+* (N/A with rear seat heights less than 13.5").....\$7,529 E0986
 - SpeedControl Dial Extended Mount **OR** SwitchControl ButtonsNCO
 - SwitchControl Button with Mono Jack Option.....\$159
 - Buddy Button\$262
 - Carrying Bag.....\$84
 - Universal Padded Handle\$22
- *SmartDrive apps available on Apple App Store and Google Play Store for Apple Watch Series 5 or newer and Samsung Galaxy Watch 4 or newer.

TRANSIT OPTIONS

- Transit Tie-Down (Tested to WC-19. Consists of four Tie-Down Brackets and two Pelvic Belt Mounting Brackets). (Please refer to the user manual for important information regarding the Transit Tie-Down Options.).....\$363
- Transport Bracket Option (Consists of four Tie-Down Brackets) (Unoccupied use only).....\$379

FRAME FINISHES

- | | | |
|--|---|--|
| <input type="checkbox"/> High Gloss Black | <input type="checkbox"/> TiLite Red | <input type="checkbox"/> Neon Pink |
| <input type="checkbox"/> Ocean Blue Metallic | <input type="checkbox"/> Tangerine Metallic | <input type="checkbox"/> Acid Green Metallic |
| <input type="checkbox"/> Midnight Blue Pearl | <input type="checkbox"/> White Pearl | <input type="checkbox"/> Black Lava |
| <input type="checkbox"/> Titanium Grey | <input type="checkbox"/> Pomegranate Red | <input type="checkbox"/> Blue Mist |
| <input type="checkbox"/> Indigo Purple | <input type="checkbox"/> Hyper Blue | <input type="checkbox"/> Flame Orange |
| <input type="checkbox"/> OD Green | <input type="checkbox"/> Silver Streak | <input type="checkbox"/> Lavender Dusk |
| <input type="checkbox"/> Black Galaxy | <input type="checkbox"/> Seafoam Green |STD |

COLOR ANODIZE PACKAGES

- Black.....STD
- Gold Green Purple Orange Blue Red\$195

TiFit: TAILORED INDIVIDUALIZED FRAME (Please see information on page 8 regarding frame measurements)

		Seat Width A									
		12	13	14	15	16	17	18	19	20	
Seat Depth B	12	<input type="checkbox"/>	<input type="checkbox"/>								
	13	<input type="checkbox"/>	<input type="checkbox"/>	<input type="checkbox"/>	<input type="checkbox"/>	<input type="checkbox"/>					
	14	<input type="checkbox"/>	<input type="checkbox"/>	<input type="checkbox"/>	<input type="checkbox"/>	<input type="checkbox"/>	<input type="checkbox"/>	<input type="checkbox"/>	<input type="checkbox"/>		
	15	<input type="checkbox"/>	<input type="checkbox"/>	<input type="checkbox"/>	<input type="checkbox"/>	<input type="checkbox"/>	<input type="checkbox"/>	<input type="checkbox"/>	<input type="checkbox"/>	<input type="checkbox"/>	
	16	<input type="checkbox"/>	<input type="checkbox"/>	<input type="checkbox"/>	<input type="checkbox"/>	<input type="checkbox"/>	<input type="checkbox"/>	<input type="checkbox"/>	<input type="checkbox"/>	<input type="checkbox"/>	<input type="checkbox"/>
	17	<input type="checkbox"/>	<input type="checkbox"/>	<input type="checkbox"/>	<input type="checkbox"/>	<input type="checkbox"/>	<input type="checkbox"/>	<input type="checkbox"/>	<input type="checkbox"/>	<input type="checkbox"/>	<input type="checkbox"/>
	18	<input type="checkbox"/>	<input type="checkbox"/>	<input type="checkbox"/>	<input type="checkbox"/>	<input type="checkbox"/>	<input type="checkbox"/>	<input type="checkbox"/>	<input type="checkbox"/>	<input type="checkbox"/>	<input type="checkbox"/>
	19			<input type="checkbox"/>	<input type="checkbox"/>	<input type="checkbox"/>	<input type="checkbox"/>	<input type="checkbox"/>	<input type="checkbox"/>	<input type="checkbox"/>	<input type="checkbox"/>
	20			<input type="checkbox"/>	<input type="checkbox"/>	<input type="checkbox"/>	<input type="checkbox"/>	<input type="checkbox"/>	<input type="checkbox"/>	<input type="checkbox"/>	<input type="checkbox"/>

Note: Configurations including 20" Seat Width\$559 E2201
 Configurations including 20" Seat Depth\$675 E2203



Permobil.com
 2701 West Court Street | Pasco, Washington 99301
 509.352.2245 Tel | 866.586.2413 Toll-Free
chairs.tilite@permobil.com

TiLite Z Order Form
Rigid Frame

Effective October 2024 (New items in red)

CUSTOM FRAME DEPTH Measure from front of seat sling to beginning of frame bend. Frame bend will start 1" in front of seat sling unless Custom Frame Depth is specified, or the combination of specifications affect the rolling dynamics of the chair.

- 1" **STD**
 0.5" 1.5" 2" **NCO**

FRONT SEAT HEIGHT c Measure from floor to top of seat tube at front edge of seat sling.

- 16" 16.5" 17" 17.5" 18" 18.5" 19" 19.5" 20" 20.5" 21" **STD**

REAR SEAT HEIGHT RANGES (Will be optimized to achieve desired rear seat height allowing +/- 1" adjustment)

Rear Wheel Size	Rear Seat Height d
20" (451)	13.0"-18.5"
22" (501)	14.0"-19.5"
24" (540)	15"-20.5"
25" (559)	15.5"-20.5"
26" (590)	16"-20.5"

REAR SEAT HEIGHT d Measure from floor to top of seat tube at back post.

- 13" 13.5" 14" 14.5" 15" 15.5" 16" 16.5" 17" 17.5" 18" 18.5"
 19" 19.5" 20" **STD**

FRONT ANGLE e Measure from frame front to floor.

- 75° 80° 85° (N/A with 6" Front Wheels.) 90° (N/A with 5" or 6" Front Wheels.) **STD**

CENTER OF GRAVITY f Measure from front of back post at the seat tube to the center of the rear axle.

- 1" 1.5" 2" 2.5" 3" 3.5" 4" 4.5" 5" **STD**
 Amputee Axle Plate (Center of Gravity positioned -1" behind back canes) **\$225 E0959**

FOOTREST OPTIONS

Footrest Width

SEAT WIDTH A (Outside Measurement)	No Taper	1.5" Taper (4" Narrower than Rear Seat Width) 14" or greater seat to footrest (H) required	3.5" Taper (6" Narrower than Rear Seat Width) 14.5" or greater seat to footrest (H) required
12"	<input type="checkbox"/> 9.5"	<input type="checkbox"/> 8"	
13"	<input type="checkbox"/> 10.5"	<input type="checkbox"/> 9"	
14"	<input type="checkbox"/> 11.5"	<input type="checkbox"/> 10"	
15"	<input type="checkbox"/> 12.5"	<input type="checkbox"/> 11"	<input type="checkbox"/> 9"
16"	<input type="checkbox"/> 13.5"	<input type="checkbox"/> 12"	<input type="checkbox"/> 10"
17"	<input type="checkbox"/> 14.5"	<input type="checkbox"/> 13"	<input type="checkbox"/> 11"
18"	<input type="checkbox"/> 15.5"	<input type="checkbox"/> 14"	<input type="checkbox"/> 12"
19"	<input type="checkbox"/> 16.5"	<input type="checkbox"/> 15"	<input type="checkbox"/> 13"
20"	<input type="checkbox"/> 17.5"	<input type="checkbox"/> 16"	<input type="checkbox"/> 14"

SEAT TO FOOTREST h Measure from front edge of seat sling to top rear of footrest

Standard Footrests Measurement must be at least 2" shorter than Front Seat Height

- 13.5" 14" 14.5" 15" 15.5" 16" 16.5" 17" 17.5" 18" 18.5" 19"

- Aluminum Open Loop Footrest** **STD**
 ABS Cover **\$30**
 Angle Adjustable Footrest **\$185 K0040**
 Flip-Back Angle Adjustable Footrest **\$244 K0040**

High Mount Footrest (N/A with taper)

- 7"-9" (with 4" risers) 9"-11" (with 2" risers) 11"-13" Set at _____ **\$155 K0037, K0040**

FOOTREST ACCESSORIES

- Safe Tread Non-Skid Adhesive Patch **\$20**

CALF STRAPS

- Velcro Adjustable **\$44 K0038**

- Small (Recommended for 9" - 12" Footrest Widths.)
 Medium (Recommended for 11" - 15" Footrest Widths.)
 Large (Recommended for 14" - 17" Footrest Widths.)
 Extra Large (Recommended for 16" - 19" Footrest Widths.)

TiLite Z Order Form
Rigid Frame

Effective October 2024 (New items in red)

- Bodypoint® Padded Velcro Adjustable.....\$109 K0038
 - Small (Recommended for 8"- 11" Footrest Widths.)
 - Medium (Recommended for 11"- 15" Footrest Widths.)
 - Large (Recommended for 16"- 19" Footrest Widths.)
- Buckle Adjustable, Black Nylon Webbing\$50 K0038

CLAMP ON RESIDUAL LIMB SUPPORT

- Left (8" width x 10" length).....\$495 E1020
- Right (8" width x 10" length).....\$495 E1020
- Pair (8" width x 10" length).....\$895 E1020

SEAT BACK CONFIGURATIONS

SEAT BACK TYPE

- Folding Aluminum Adjustable Height Back.....STD

PUSH HANDLES

- Integrated Push Handles.....STD
- Integrated Fold-Down Push Handles.....\$125
- Bolt on Height Adjustable Push Handles (Requires 4" deep rigidizer bar.).....\$363
- Omit Push Handles.....NCO

SEAT BACK HEIGHT I Measure from top of seat tube at rear of frame to top of backrest upholstery.

Push Handles	Short	Medium	Tall	Set at: (Use .5" increments)
None / Bolt-On	9"-11.5"	12"-15.5"	16"-20.5"	Set at: _____
Integrated	10.0"-12.5"	13.5"-16.5"	17.5"-20.5"	Set at: _____
Integrated Fold Down	12" – 13.5"	14" – 17.5"	18" – 20.5"	Set at: _____

BACKREST OPTIONS

RIGIDIZER BAR

- 3" deep OR 4" deep (Standard is 3" deep rigidizer bar).....NCO
- Locking Backrest (locks in up and down position).....STD
- Non-Locking Backrest (locks in up position only).....NCO
- Depth Adjustable Back/Frame (N/A with 19" or 20" Seat Depths. Allows 2" of rearward adjustment in 1" increments. Bolt On Height Adjustable Push Handles have a limited height range with Depth Adjustable Back).....\$185

SEAT BACK ANGLE J Measure angle from front of back post to floor.

- 80° 83° 86° 89° 92° 95° 98° 101°STD

BACK UPHOLSTERY

- Standard Back Upholstery (Tension Adjustable. Includes Privacy Flap).....STD
- AIR Breathable Back Upholstery (Tension Adjustable. Includes Privacy Flap).....\$369 Pending E2611
 - Removable Lumbar Contour Pack
 - Removable Lateral Contour Pack
- Omit Back Upholstery.....NCO
- 4" Military Service Patch.....\$115
 - Army Navy Air Force Marines Coast Guard Purple Heart

PERMOBIL BACK SUPPORTS (Please see information on page 8 regarding product shipment)

ROHO® AGILITY® ACTIVE ALUMINUM BACK SUPPORT

Shell Height 8" 10"

Contour and Insert

- Minimum Contour AGILITY® Active Aluminum with Foam\$738 E2620
- Mid Contour AGILITY® Active Aluminum with Foam\$738 E2620
- ROHO Privacy Shield\$65

ROHO® AGILITY® ACTIVE CARBON

Shell Height 10" 13" 16"

Contour and Insert

- Minimum Contour, Foam.....\$1,202 E2620
- Mid Contour, Foam.....\$1,202 E2620
- ROHO Privacy Shield.....\$65

TiLite Z Order Form
Rigid Frame

Effective October 2024 (New items in red)

COMFORT ACTA-BACK® (Backs over 20" wide or tall are subject to increased pricing)

- Shell Height 10" 12" 14" 16" 18" 20" 22" \$623 E2613, E2614
- Comfort-Tek Cover **OR** Stretch-Air Cover **NCO**
- Comfort Privacy Flap..... \$44

COMFORT ACTA-EMBRACE® (Backs over 20" wide or tall subject to increase pricing)

- Shell Height 10" 12" 14" 16" 18" 20" 22" \$649 E2613, E2614
- Comfort-Tek Cover **OR** Stretch-Air Cover..... **NCO**
- Comfort Privacy Flap..... \$44

COMFORT ACTA-RELIEF

- Shell Height 10" 12" 14" 16" 18" 20" 22" \$886 E2615
- Comfort-Tek Cover **OR** Stretch-Air Cover..... **NCO**
- Comfort Privacy Flap..... \$44

SEAT UPHOLSTERY AND SEATING

- Tension Adjustable Seat Upholstery..... **STD**
- Omit Seat Upholstery..... **NCO**

PERMOBIL SEAT CUSHIONS (Please see information on page 8 regarding product shipment)

Comfort Company Cushions (Cushions over 20" wide subject to increase pricing)

- Comfort Curve Cushion Comfort-Tek cover..... \$122 E2601, E2602
- Comfort Acta-Embrace™ Zero Elevation Cushion with Comfort-Tek cover..... \$428 E2607, E2608
- Comfort M2 Zero Elevation Cushion with Comfort-Tek cover \$474 E2607, E2608

ROHO® Cushions (Cushions over 20" wide subject to increase pricing)

- ROHO Single Compartment Low Profile Mid Profile High Profile \$534 E2622, E2623
- ROHO Quadro Select Low Profile Mid Profile High Profile \$534 E2624, E2625
- ROHO Hybrid Elite Single Compartment Dual Compartment..... \$552 E2622, E2623
- ROHO Hybrid Select..... \$571 E2624

CUSTOM CONFIGURATION OPTIONS

FRONT WHEELS

3" Casters

- 3"x1.5" LiteSpeed Billet Aluminum Wheel w/ Soft Roll Tire Silver Hub **OR** Black Hub..... \$205

4" Casters

- 4"x1.5" LiteSpeed Plastic Wheel w/Soft Roll Tire **STD**
- 4"x.75" Plastic Wheel w/Poly Tire (N/A with Slipstream fork)..... \$65
- 4"x.75" Light-Up Micro-Caster (N/A with Slipstream fork)..... \$125
- 4"x1.5" LiteSpeed Billet Aluminum Wheel w/Soft Roll Tire
 Silver Hub **OR** Black Hub..... \$217

5" Casters

- 5"x1.5" LiteSpeed Plastic Wheel w/Soft Roll Tire (N/A with 90° Front Angle E) **STD**
- 5"x1" Plastic Wheel w/Poly Tire (N/A with 90° Front Angle L or Slipstream fork)..... \$65
- 5"x1.5" LiteSpeed Billet Aluminum Wheel w/Soft Roll Tire
 Silver Hub **OR** Black Hub..... \$233

6" Casters (N/A with 85° or 90° Front Angle E or Slipstream fork)

- 6"x1.5" LiteSpeed Plastic Wheel w/Soft Roll Tire (N/A with 85° or 90° Front Angle E or Slipstream fork) **STD**
- 6"x1" Plastic Wheel w/Poly Tire..... \$65
- 6"x1.5" LiteSpeed Billet Aluminum Wheel w/Soft Roll Tire (N/A with 85° or 90° Front Angle E or Slipstream fork)
 Silver Hub **OR** Black Hub..... \$244

FRONT FORKS

- TiLite Standard Fork..... **STD**
 - TiLite Slipstream Single-Sided Fork..... \$185
 - Glide Suspension Fork (Max user weight 265 lbs, N/A with ano)..... \$526 E1015
- Rider's Weight: 125 lbs. 125-180 lbs. 180-265 lbs.

TiLite Z Order Form

Rigid Frame

Effective October 2024 (New items in red)

REAR WHEELS (See Rear Seat Height Ranges Chart for Rear Seat Height D limitations)

STANDARD REAR WHEELS

	20" (451)	22" (501)	24" (540)	25" (559)	26" (590)
TiLite Wheels	<input type="checkbox"/> STD	<input type="checkbox"/> STD	<input type="checkbox"/> STD	<input type="checkbox"/> STD	<input type="checkbox"/> STD

When ordering 24" wheel with treaded pneumatic or treaded tire with airless inserts and aluminum black or silver anodized handrims and long tabs, the chair will ship with TiLite standard rear wheel. Otherwise, the chair will ship TiLite Shadow rear wheel.

ALTERNATIVE REAR WHEELS

	20" (451)	22" (501)	24" (540)	25" (559)	26" (590)
X-Core Mag®	<input type="checkbox"/> \$225	<input type="checkbox"/> \$225	<input type="checkbox"/> \$225		
Spinergy Spox <input type="checkbox"/> Black <input type="checkbox"/> Red <input type="checkbox"/> Blue <input type="checkbox"/> White	<input type="checkbox"/> \$1,195	<input type="checkbox"/> \$1,195	<input type="checkbox"/> \$1,195	<input type="checkbox"/> \$1,195	<input type="checkbox"/> \$1,195
Spinergy LX <input type="checkbox"/> Black <input type="checkbox"/> Red <input type="checkbox"/> Blue <input type="checkbox"/> White <input type="checkbox"/> Bright Orange <input type="checkbox"/> Flamingo Pink <input type="checkbox"/> Purple		<input type="checkbox"/> \$1,295	<input type="checkbox"/> \$1,295	<input type="checkbox"/> \$1,295	<input type="checkbox"/> \$1,295
Spinergy Design Lab LX (Available with black spokes only) <input type="checkbox"/> Gold Anodize <input type="checkbox"/> Green Anodize <input type="checkbox"/> Blue Anodize <input type="checkbox"/> Red Anodize <input type="checkbox"/> Purple Anodize <input type="checkbox"/> Orange Anodize		<input type="checkbox"/> \$1,995	<input type="checkbox"/> \$1,995	<input type="checkbox"/> \$1,995	<input type="checkbox"/> \$1,995

X-Core Mags requires Aluminum Silver Anodized Handrims with long tabs. N/A with Heavy Duty Frame, Quad Release Axles, Spoke Guards

PNEUMATIC REAR TIRES

- Treaded (N/A with 25"(559) rear wheels).....STD
- Treaded with Airless Inserts (N/A with 25"(559) rear wheels).....\$145 E2213
- MBL SpeedLite.....NCO
- Primo Sentinel.....\$159
- Schwalbe® Marathon Plus Evolution (N/A with Mag or 22" (501) wheels).....\$169
- Primo C-763 Knobby (Available on 24"(540) rear wheels.).....\$129

SOLID REAR TIRES

- Primo Active (Available on 24"(540) and 25"(559) rear wheels.).....\$160
- Primo Orion (Replaces Primo Express) (N/A with 26"(590) Rear Wheels).....\$160

CAMBER κ (Rear wheel spacing will be set to minimum value allowed by your configuration)

- 0° 2° 4° 6°STD

AXLES

- Stainless Quick Release.....STD
- Quad Release (N/A with Mag or 24"(540)/ 25" (559) Spinergy Spox or Spinergy LX RearWheels).....\$169

HANDRIMS

- Aluminum – Silver Ano **OR** Black Ano.....STD
- Plastic Coated – Black.....\$174
- Omit Handrims.....NCO

The Natural-Fit® – Original, Larger Profile (N/A with 20"(451) Rear Wheels.)

- Standard Grip (Requires Long Tabs).....\$428
- Super Grip (Requires Long Tabs).....\$466
- Without Thumb Grip.....\$390

The Natural-Fit® LT – Reduced Weight, Smaller Profile (N/A with 20"(451) Rear Wheels.)

- Standard Grip (Requires Long Tabs).....\$450
- Super Grip (Requires Long Tabs).....\$514
- Without Thumb Grip.....\$423

The Surge (All-In-One Oval with Gription™ Strip)

- The Surge (Larger Profile).....\$495
- The Surge LT (Smaller Profile).....\$466

Q Grip (High-Friction, Anti-Slip Coating)

- Q-Grip (N/A with 20" (451) Rear Wheels).....\$495

TAB LENGTH

- Long Tabs.....STD
- Short Tabs (N/A with Mag Rear Wheels.).....\$39

SPOKE GUARDS

- Clear Lexan (N/A with Mag Rear Wheels.).....\$179 K0065

WHEEL LOCKS

Aluminum Wheel Locks

- Push to LockSTD
- Pull to LockSTD
- Extension Handles for Aluminum Push/Pull to Lock\$75 E0961

Composite Wheel Locks

- Compact Composite Push to Lock\$129
- Compact Composite Pull to Lock\$129
- Extension Handles for Compact Composite Push/Pull to Lock\$93 E0961
- Compact Composite Scissor Lock\$158

Additional Wheel Locks

- Grade Aids, Push to Lock (Requires pneumatic tires)\$395 E0974

ALUMINUM SIDE GUARDS

- Rigid Removable Small Standard\$217
- Quad Removable w/ Hole Small Standard\$233
- Fold Down Side Guards Small Standard\$363

ARMRESTS

- OmitNCO

Standard Armrest

- Fixed Height Non-Removable ArmrestSTD
- Short **OR** Tall

Swing Away Tubular

- Height Adjustable\$244 E0973
- Range: 6.5" to 9.5" **OR** 9.5" to 12.5"
- Height Adjustable Flip Back (Height Adjustable from 8.5" to 11")\$342 E0973
- Height Adjustable with Sideguards (Side guard will be NCO)\$425 E0973
- Range: 6.5" to 9.5" **OR** 9.5" to 12.5"

T-Style Armrests (Requires minimum seat depth of 15")

- Removeable Height Adjustable T Arm\$375 E0973
- 8" to 12" **OR** 10" to 14"
- Desk Length Pad (10") **OR** Full Length Pad (14")

POSITIONING BELTS

- Velcro Adjustable, Black Nylon Webbing\$61 E0978
- Bodypoint® 2" Push-Button Buckle (Auto-Style)\$103 E0978
- Bodypoint® 1.5" Wide Push-Button Buckle Padded (Auto-Style, N/A with 19" -20" Rear Widths)\$185 E0978
- Bodypoint® 1" Wide Push-Button Buckle Padded (Auto-Style, N/A with 19" -20" Rear Widths)\$196 E0978
- Bodypoint® EvoFlex® Pelvic Stabilizer Push Button\$201 E0978
- Q'Strain® WC-19 Wheelchair-Anchored Pelvic Belt (Recommended for use with Transit Tie Down.)\$217 E0978
- Bodypoint® Optional Band Clamp Mounting Hardware\$70

ACCESSORIES

ANTI-TIPS

- Rear Aluminum - Black\$174 E0971
- User Friendly Flip-up\$363 E0971

FUNCTIONAL ACCESSORIES

- Upper Extremity Support Tray
- 12" to 14" **OR** 13" to 15" Seat Widths A (Requires T Style Armrests.)\$315 E0950
- Luggage Carriers\$158
- Crutch Holder\$244 E2207

SOFT GOOD ACCESSORIES

- Permobil Medical Necessities Bag\$103
- Permobil Medical Necessities Seat Pouch\$66
- Bodypoint® Mobility Bag\$109
- Neoprene Impact Guards, Black\$195

TiLite Z Order Form
Rigid Frame

Effective October 2024. (New items in red)

GENERAL

Permobil manufactures TiLite manual wheelchairs in a wide variety of configurations to meet the varied needs of wheelchair users. The final selection of a particular model, its options and accessories, and its measurements rests solely with the wheelchair user and advising healthcare professional. These wheelchairs must be fitted by a qualified healthcare professional. HCPCS Codes are for reference purposes only. Actual coding and coverage varies by payer. Proper HCPCS coding is not a guarantee of payment. Please verify the appropriate payer's coverage policy.

Get the latest order forms at permobilus.com. Prices, standard features, options and accessories are subject to change without notice. All rights reserved. Trademarks are identified by symbols™ and ®. TiLite, TiFit, the TiLite logo, Ti, the Ti logo, and TiShaft are registered trademarks of TiSport, LLC and are licensed to Permobil. Permobil® is a registered trademark of Permobil. Adobe®, Acrobat®, Acrobat Professional® and Reader® are registered trademarks of Adobe Systems Inc. Bodypoint® is a registered trademark of Bodypoint Inc. Kenda® is a registered trademark of Kenda Rubber Industrial Co. Ltd. ROHO®, AGILITY®, Low Profile® and Quadro Select® are registered trademarks of ROHO Inc. Schwalbe® is a registered trademark of Ralf Bohle GmbH. The Natural-Fit® and Out-Front® are registered trademarks of Three Rivers Holdings, LLC. The ACTA-BACK®, ACTA-EMBRACE™, COMFORT-TEK™, COMPASS®, CURVE®, ELEMENTS®, and STRETCH AIR™ are registered trademarks of THE COMFORT COMPANY® and are licensed to Permobil. Q'Straint® is a registered trademark of Q'Straint Inc.

NOTES

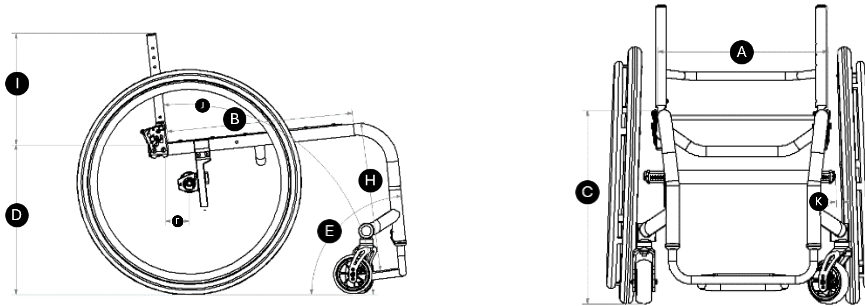
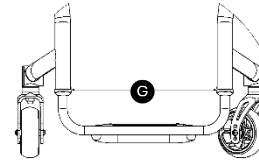
QUOTE THIS CHAIR

If you are using Adobe Acrobat, this order form may be converted into a quote request or into an order by clicking one of the buttons (this feature is available exclusively to Permobil dealers and distributors). A Quote or an Order Confirmation will be sent to you within 24 hours.

ORDER THIS CHAIR

Measurement Guide

- A Seat Width** - Measure from outside of seat tube at back post to the outside of the opposite seat tube at back post.
- B Seat Depth** - Measure from front of back post to the front edge of seat sling. Frame bend will start .5" in front of seat sling unless Custom Frame Depth is specified. Custom Frame Depth is measured from front of seat sling to beginning of frame bend.
- C Front Seat Height** - Measure from floor to top of seat tube at front edge of seat sling.
- D Rear Seat Height** - Measure from floor to top of seat tube at back post.
- E Front Angle** - Measure from frame front to floor.
- F Center of Gravity** - Measure from front of back post at the seat tube to the center of the rear axle.
- G Footrest Width** - Measure from inside of front frame tube to inside of opposite front frame tube.
- H Seat to Footrest** - Measure from front edge of seat sling to top rear of footrest.
- I Seat Back Height** - Measure from top of back post to top of seat tube at rear of frame.
- J Seat Back Angle** - Measure angle from front of back post to floor.
- K Camber** – this will affect overall width of chair.



Seating and Positioning Shipping Information

The following Seating and Positioning products will ship with the chair. Cushions are stocked with Comfort Tek Cover and backs are stocked with Stretch Air Cover. All other Seating and Positioning products will be drop-shipped from the manufacturer. (Width x Depth)

Curve Cushion	Elements Cushion	Acta Embrace Cushion	M2 Cushion Zero Elevation	ROHO Single High Profile Cushion	ROHO Quadro Cushion
18" x 18"	18" x 18"	18" x 18"	18" x 18"	18" x 18"	18" x 18"
16" x 16"	16" x 18"	16" x 18"	18" x 16"	16" x 18"	16" x 16"
16" x 18"	18" x 16"	16" x 16"	20" x 16"	16" x 16"	20" x 16"
			20" x 20"		20" x 18"
			16" x 16"		

Acta Back	Acta Embrace Back	Acta Relief Back	ROHO Agility Mid Active	ROHO Agility Min Active
18" x 12"	18" x 16"	18" x 16"	18" x 10"	18" x 10"
18" x 16"	16" x 16"	16" x 16"	16" x 10"	16" x 10"
16" x 16"		18" x 12"		
16" x 12"		16" x 12"		