



TiLite TRA - Order Form



Company name _____ Account number _____

Address/ Postcode / City _____

Phone number _____ Email _____ Contact person _____

Rep name _____ Order number _____ Quote number _____

Customer reference _____ User weight _____

Special considerations to be noted (e.g., medical diagnosis, specific requirements): _____ *Required field

FRAME STYLE

TAFS1 **TRA Titanium Frame** Full adjustability. 265lb (120kg) weight limit. £ 3,616.00

FRAME OPTIONS

TAHDR1 **Heavy Duty Frame** 350lb (158kg) weight limit. Includes tension adjustable by straps back upholstery. Requires folding aluminum adjustable height backrest, billet aluminum front wheels, Shadow or Spinergy SPOX rear wheels. LX rear wheels only with 0° or 2° camber. Not with Slipstream fork, velcro adjustable upholstery or Glide™ forks.

TARFR1 **Reinforced Frame**

FRAME FINISHES

TAFF1 **Satin Finish**

TASCBT1 **Buffing Pads for Satin Frame** £ 15.00

TATTOOS Tattoos on front frame tubes. Titanium frame finished in satin. Tattoos will be trimmed and adjusted to fit your frame.

TAFF45 Need for Speed TAFF44 Flower Garden TAFF43 Mosaic



Need for Speed



Flower Garden



Mosaic

FRAME COLOR | Powder coated frame

Frame Color:	High Gloss Black	Red Pepper	Neon Pink	Ocean Blue Metallic	Tangerine Metallic
	Acid Green Metallic	Midnight Blue Pearl	White Pearl	Black Lava	Titanium Grey
	Pomegranate Red	Blue Mist	Indigo Purple	Hyper Blue	Flame Orange
	OD Green	Silver Streak	Lavendar Dusk	Black Galaxy	Seafoam Green
	Daffodil Yellow				

ANODIZED COLOR PACKAGE | Includes caster mount, caster fork and caster caps. If no anodize colour is selected, default will be black.

Standard: Black

Anodized Package: Gold Green Purple Orange Blue Red £ 51.00

TiFit: TAILORED INDIVIDUALIZED FRAME

Measurements shown below are our most popular selections. Not seeing what you want? Contact customer service or view our Creative Mobility Division (CMD) catalog [here](#) to view additional options. Please refer to Reference Diagrams at end of form for more information.

REAR SEAT WIDTH 'A' | Measure from outside of seat tube at back post to the outside of the opposite seat tube at back post.

TARSW1-X	12" (30.5 cm)	13" (33.0 cm)	14" (35.6 cm)	15" (38.1 cm)	16" (40.6 cm)	17" (43.2 cm)	
	18" (45.7 cm)	19" (48.3 cm)					
TARSW2	20" (50.8 cm)						£ 461.00

>20" sizes available through CMD.

FRONT SEAT WIDTH (SEAT TAPER) 'T' | Measure from inside of front frame tube to inside of opposite front frame tube. Required with V-front end, not with standard front end.

TAFSW1	No Taper	
TAFSW2	1" (2.5 cm) Taper 3" (7.6 cm) narrower than Rear Seat Width 'A'. Includes tension adjustable by straps seat upholstery. Bolt on adjustable sling available through CMD #20.	£ 262.00
TAFSW4	2" (5.1 cm) Taper 4" (10.2 cm) narrower than Rear Seat Width 'A'. Includes tension adjustable by straps seat upholstery. Bolt on adjustable sling available through CMD #20.	£ 262.00

SEAT DEPTH 'B' | Measure from front of back post to the front edge of seat sling. Frame bend will start 0.5" (1.27 cm) in front of seat sling unless Custom Frame Depth is specified or the combination of specifications affect the rolling dynamics of the chair.

TASD1-X	12" (30.5 cm) 18" (45.7 cm)	13" (33.0 cm) 19" (48.3 cm)	14" (35.6 cm)	15" (38.1 cm)	16" (40.6 cm)	17" (43.2 cm)
----------------	--------------------------------	--------------------------------	---------------	---------------	---------------	---------------

TASD2 20" (50.8 cm)

TASD3-X Custom Frame Depth: Specify:

Measure from front of seat sling to beginning of frame bend. Ranges from 0.5" (1.27 cm)-2" (5.08 cm) and can be given as specific as 0.25" (0.64 cm) increments. A custom frame depth outside the specified range may be available through our Creative Mobility Division. A custom frame depth of 20" (50.8 cm) will have an additional charge.

ERGONOMIC SEAT 'U' | Measure from front of back post to beginning of upward bend of seat tube.

TAERG2-X:	Ergonomic Seat Not with V-front or seat taper, seat back that locks when folded, desk armrests, depth adjustable backrests, fold down rigid sideguards, fendered adjustable sideguards or Curve cushion. Bolt on adjustable sling available through CMD #20. Solid seat available through CMD #16. Minimum seat depth 12" (30.5 cm) for 6" (15.2 cm)-7" (17.8 cm). Minimum seat depth 13" (33.0 cm) for 8" (20.3 cm).	£ 384.00
	6" (15.2 cm) 7" (17.8 cm) 8" (20.3 cm)	

FRONT SEAT HEIGHT 'C' | Measure from floor to top of seat tube at front edge of seat sling.

TAFSH1-X	15" (38.1 cm) 18" (45.7 cm) 21" (53.3 cm)	15.5" (39.4 cm) 18.5" (47.0 cm)	16" (40.6 cm) 19" (48.3 cm)	16.5" (41.9 cm) 19.5" (49.5 cm)	17" (43.2 cm) 20" (50.8 cm)	17.5" (44.5 cm) 20.5" (52.1 cm)
-----------------	---	------------------------------------	--------------------------------	------------------------------------	--------------------------------	------------------------------------

REAR SEAT HEIGHT 'D' | Measure from floor to top of seat tube at back post.

TARSH1-X	12.5" (31.8 cm) 15.5" (39.4 cm) 18.5" (47.0 cm)	13" (33.0 cm) 16" (40.6 cm) 19" (48.3 cm)	13.5" (34.3 cm) 16.5" (41.9 cm) 19.5" (49.5 cm)	14" (35.6 cm) 17" (43.2 cm) 20" (50.8 cm)	14.5" (36.8 cm) 17.5" (44.5 cm)	15" (38.1 cm) 18" (45.7 cm)
-----------------	---	---	---	---	------------------------------------	--------------------------------

Rear Wheel	26"
	25"
	24"
	22"
	20"

FRONT ANGLE OR OVERALL FRAME LENGHT | Select one. If Overall Frame Length is selected, front angle will be bent to achieve requested length.

TAF1A1-X **Frame Angle 'L'** Measure from frame front to floor. 85° not with 6" (15.2 cm) front wheels. 90° not with 5" (12.7 cm) or 6" (15.2 cm) front wheels.
70° 75° 80° 85° 90°

TAF1A2 **Overall Frame Length 'M'** Measure from front of backrest to front edge of footrest.
Specify:

CENTRE OF GRAVITY 'H' | Measure from front of back post at the seat tube to the centre of the rear axle. If no centre of gravity is selected the chair will ship with the centre of gravity in the most rearward position. Ergo seat selection may limit available centre of gravity.

TACOG1-X	1" (2.5 cm) 2.5" (6.4 cm) 4" (10.2 cm)	1.25" (3.2 cm) 2.75" (7.0 cm) 4.25" (10.8 cm)	1.5" (3.8 cm) 3" (7.6 cm) 4.5" (11.4 cm)	1.75" (4.5 cm) 3.25" (8.3 cm) 4.75" (12.1 cm)	2" (5.1 cm) 3.5" (8.9 cm) 5" (12.7 cm)	2.25" (5.7 cm) 3.75" (9.5 cm)
-----------------	--	---	--	---	--	----------------------------------

REAR WHEEL SPACING 'J' | Measure from outside of back post to inside of rear tire. TRA 0.75" (1.91 cm) rear wheel spacing not with 0° or 2° camber.

TARWS1-X	Fixed Rear Wheel Spacing 0.75" (1.9 cm) 1" (2.5 cm) 1.25" (3.2 cm)
TACBR12	Adjustable Rear Wheel Spacing Camber Plugs
TACBR9	Additional Spacers to Increase Rear Wheel Spacing
TACBR11	Zero Play Aluminum Camber Plugs Not with power adaptable frame or more than 6° camber.

CAMBER 'K'

TACBR1-X	0° 2° 4° 6° 8° camber may be available through our Creative Mobility Division
-----------------	--

TACBR15	Aluminum Camber Tube
TACBR3	Titanium Camber Tube <i>Not with power adaptable frame.</i>

£ 182.00

FOOTREST

FOOTREST WIDTH | *Select standard front end 'I' if no seat taper 'T' has been selected. Select V-front end 'V' if a seat taper 'T' has been selected.*

TAFE1-X **Standard Front End 'I'** *Find your rear seat width 'A' in the chart below and select one of the options to the right. Measure from inside of front frame tube to inside of opposite front frame tube.*

No Taper 2" (5.1 cm) Taper 4" (10.2 cm) Taper

Rear Seat Width 'A'	12" (30.48 cm)
	13" (33.02 cm)
	14" (35.56 cm)
	15" (38.1 cm)
	16" (40.64 cm)
	17" (43.18 cm)
	18" (45.72 cm)
	19" (48.26 cm)
	20" (50.8 cm)

TAFE2-X **V-Front Taper 'V'** *Measure from inside of front frame tube to inside of opposite front frame tube 2.5" (6.4 cm) above footrest. Titanium footrests have 1" (2.5 cm) of adjustment up and down. Not with ergonomic seat frames.* £ 108.00

9" (22.9 cm) 10" (25.4 cm) 11" (27.9 cm) 12" (30.5 cm) 13" (33.0 cm) 14" (35.6 cm) 15" (38.1 cm)

STANDARD FOOTRESTS

Seat to Footrest 'E':	13.5" (34.3 cm)	14" (35.6 cm)	14.5" (36.8 cm)	15" (38.1 cm)	15.5" (39.4 cm)	16" (40.6 cm)
	16.5" (41.9 cm)	17" (43.2 cm)	17.5" (44.5 cm)	18" (45.7 cm)	18.5" (47.0 cm)	19" (48.3 cm)

TAFTR3 **Angle Adjustable Footrest**

TAFTR1 **Titanium Footrest w/Flat ABS Cover**

£ 182.00

TAFTR2 **Titanium Open Loop Footrest**

£ 233.00

TAFTR12 **Angle Adjustable Flip-Back Footrest** *Not with 10" (25.4 cm) or 11" (27.9 cm) rear seat width 'A', heavy duty frame or ABS cover with 2" (5.1 cm) sides.* £ 200.00

HIGH MOUNT FOOTREST

Seat to Footrest 'E': 7"-9" (17.8-23.0 cm) 9"-11" (22.9-27.9 cm) 11"-13" (27.9-33.0 cm) Set at

Measure from front edge of seat sling to top rear of footrest.

TAFTR4 **Angle Adjustable High Mount Footrest**

£ 95.00

CALF STRAPS

TACLF2-S **Velcro Adjustable**

£ 33.00

Small 9"-12" (22.9-30.5 cm) footrest widths Medium 11"-15" (27.9-38.1 cm) footrest widths

£ 33.00

Large 14"-17" (35.6-43.2 cm) footrest widths Xtra Large 16"-19" (40.6-48.3 cm) footrest widths

TACLF3-S **BodyPoint Padded Velcro Adjustable S** *Recommended for 8" - 11" footrest widths*

£ 98.00

TACLF3-M **BodyPoint Padded Velcro Adjustable M** *Recommended for 11" - 15" footrest widths*

£ 98.00

TACLF1 **Buckle Adjustable, Black Nylon Webbing**

£ 23.00

BACKREST

BACK TYPE

TASB1 **Folding Aluminum Adjustable Height Back** *Required for heavy duty frame.*

TASB2 **Folding Titanium Adjustable Height Back, Rounded Rigidizer Bar** *Titanium back will match frame finish.*

£ 182.00

BACK OPTIONS

TASB11 **Backrest Locks When Folded** *Available on all backs. Not with ergonomic seat.*

TASB19 **4" (10.2 cm) Deep Backrest Rigidizer Bar** *Not a rounded style rigidizer bar.*

TASB3 **TiShaft™ Back Release Bar, Aluminum**

TASB5 **TiShaft™ Back Release Bar, 2x2 Twill Weave Carbon Fiber**

£ 65.00

PUSH HANDLES

TASB6 **Integrated Push Handles**

TASB7 **Integrated Fold-Down Push Handles** *Requires tension adjustable by straps back upholstery.*

£ 108.00

TASB8 **Bolt-On Push Handles** *Includes 4" (10.2 cm) deep backrest rigidizer bar.*

£ 182.00

TASB9

Bolt-On Height-Adjustable Push Handles Includes 4" (10.2 cm) deep backrest rigidizer bar.

£ 313.00

FOLDING BACK HEIGHT 'F' | TSB1/TSB2. Set at 0.5" (1.27 cm) increments.

Push

None / Bolt-On
Integrated
Fold-Down**BACK ANGLE 'G'** | TSBA1 Measure angle from front of back post to floor.

Folding Back: 80° 83° 86° 89° 92° 95° 98° 101°

BACK SUPPORTS**BACK UPHOLSTERY**

TABUP2	Velcro Adjustable Not with fold-down push handles.	
TABUP3	Tension Adjustable By Straps, Padded Nylon Required for fold-down push handles.	£ 103.00
TABUP5	Tension Adjustable By Straps, AIR Breathable Required for fold-down push handles.	£ 182.00
TAUPC3-BL	Ultrasuede Backrest Stripe, Black Not with AIR breathable upholstery.	£ 98.00
TABUP0	Omit Back Upholstery	

SEAT OPTIONS**SEAT UPHOLSTERY**

TASUP1	Tension Adjustable Bolt-On Upholstery, Black Not with ergonomic seat or tapered seat.	
TASUP2	Tension Adjustable By Straps, Black Standard with ergonomic seat and seat taper of 1" (2.5 cm)-3" (7.6 cm).	£ 158.00
TASUP8	Aluminum Solid Seat Ergonomic seat requires CMD016. Not with 10" (25.4 cm) or 11" (27.9 cm) rear seat width.	£ 262.00
TASUP0	Omit Seat Upholstery	

PRECISION LOCK FRONT FORKS

TAFK1	TiLite Standard Fork	
TAFK2	TiLite Slipstream Single-Sided Fork Not with power adaptable frame.	£ 182.00
TAGL1	Glide™ Suspension Fork Black anodize only. Select rider weight.	£ 449.00
	125 lbs (57 kg) 125-180 lbs (57 -82 kg) 180-265 lbs (82 -120 kg)	
TATS1	Titanium Fork Stem	£ 50.00

FRONT WHEELS

TAFW24	3"x1.4" (7.6x3.6 cm) LiteSpeed-7 Billet Aluminum Wheel w/Soft Roll Tire	
	Silver Hub Black Hub	
TAFW14	4"x0.75" (10.2 x 1.9 cm) Plastic Wheel w/Poly Tire Not with Slipstream fork or power adaptable frame.	
TAFW3	4"x0.75" (10.2 x1.9 cm) Light-Up Micro Caster Not with Slipstream fork or power adaptable frame.	£ 77.00
TAFW26	4"x1.4" (10.2 x 3.6 cm) LiteSpeed-7 Plastic Wheel w/Soft Roll Tire Not with power assist, power add-on system or heavy duty frame.	£ 98.00
TAFW27	4"x1.4" (10.2 x3.6 cm) LiteSpeed-7 Billet Aluminum Wheel w/Soft Roll Tire	£ 170.00
	Silver Hub Black Hub	
TAFW6	5"x1" (12.7x2.5 cm) Plastic Wheel w/Poly Tire Not with 90° front angle, Slipstream fork or power adaptable frame.	
TAFW28	5"x1.4" (12.7x3.6 cm) LiteSpeed-7 Plastic Wheel w/Soft Roll Tire Not with 90° front angle or power adaptable frame.	£ 98.00
TAFW30	5"x1.4" (12.7x3.6 cm) LiteSpeed-7 Billet Aluminum Wheel w/Soft Roll Tire Not with 90° front angle.	£ 170.00
	Silver Hub Black Hub	
TAFW9	6"x1" (15.2x2.5 cm) Plastic Wheel w/Poly Tire Not with 85° or 90° front angle, Slipstream fork or power adaptable frame.	
TAFW32	6"x1.4" (15.2x3.6 cm) LiteSpeed-7 Plastic Wheel w/Soft Roll Tire Not with 85° or 90° front angle, Slipstream fork or power adaptable frame.	£ 98.00
TAFW33	6"x1.4" (15.2 x3.6 cm) LiteSpeed-7 Billet Aluminum Wheel w/Soft Roll Tire Not with 85° or 90° front angle or Slipstream fork.	£ 170.00
	Silver Hub Black Hub	

REAR WHEELS

See rear seat height ranges chart for rear seat height 'D' limitations.

TiLite SHADOW™ (TRRW14-X)	25" and 26" wheels require 15" (38.1cm) minimum seat depth.						£ 510.00
Wheel Size:	20"(451) 25"(559)	22" (501) 26"(590)	24" (540)	25"(559)	26"(590)	20"(451) 22" (501) 24"(540)	

Spinergy SPOX (TRRW7-X) 25" and 26" wheels require 15" (38.1cm) minimum seat depth. Orange, pink, purple and green spokes only available in 20" size.								£ 510.00	
Wheel Size:	20"(451) 25"(559)	22" (501) 26"(590)	24" (540)	25"(559)	26"(590)	20"(451)	22" (501)	24"(540)	
Spoke Color:	Black	Red	Blue	White	Orange	Pink	Purple	Green	
Spinergy LX (TRRW8-X) 25" and 26" wheels require 15" (38.1cm) minimum seat depth.								£ 716.00	
Wheel Size:	22"(501)	24" (540)	25" (559)	26" (590)	22"(501)	24"(540)	25" (559)	26"(590)	
Spoke Color:	Black	Red	Blue	White	Orange	Pink	Purple	Green	
TRRW9-X	Spinergy Design Lab LX Wheels Black spokes only. If same color is selected, anodized hubs and rims match colour anodized package. 25" and 26" wheels require 15" (38.1cm) minimum seat depth.								£ 716.00
Wheel Size:	22"(501)	24" (540)	25" (559)	26" (590)	22"(501)	24"(540)	25" (559)	26"(590)	
Anodize Color:	Gold	Green	Blue	Red	Purple	Orange			
TRRW16-X	Spinergy Carbon Blade 2x2 Twill Weave Carbon Fiber. Not with heavy duty frame. 25" wheels require 15" (38.1cm) minimum seat depth.								£ 1,185.00
Wheel Size:	24" (540)	25"(559)							
TRRW17-X	X-Core Mag Not with heavy duty frame, short tabs, quad release axles, spoke guards or omit handrims options. Requires aluminum silver anodized handrims.								£ 103.00
Wheel Size:	20" (451)	22" (501)	24" (540)						

AXLES

TRAXL1	Stainless Quick Release	
TRAXL2	Titanium Quick Release	£ 233.00
TRAXL3	Quad Release Not with Mag or 26"(590) Spinergy Spox or LX rear wheels.	£ 144.00

PNEUMATIC REAR TIRES

TRRTR1	Treaded 22" (501), 24" (540), 26" (590)	
TRRTR2	Airless Inserts Not with Spinergy Carbon Blade rear wheels.	£ 88.00
TRRTR31	MBL SpeedLite 20"(451), 22"(501), 24"(540), 25"(559), 26"(590)	
TRRTR30	Primo Sentinel 24"(540), 25"(559), 26"(590)	£ 98.00
TRRTR8	Schwalbe® Marathon Plus Evolution 24" (540), 25"(559), 26"(590)	£ 98.00

SOLID REAR TIRES

TRRTR22	Primo Orion 20"(451), 22"(501), 24"(540), 25"(559) Not with Spinergy Carbon Blade rear wheels.	£ 98.00
TRRTR23	Primo Active 24" (540), 25" (559) Not with Spinergy Carbon Blade rear wheels.	£ 98.00

HANDRIMS

TRRIM1	Aluminum, Silver Anodized	
TRRIM21	Aluminum, Black Anodized	£ 51.00
TRRIM12	Titanium, Satin Finish Not with 20"(451) or 22" (501) rear wheels or 24" (540) knobby tires.	£ 299.00
TRRIM20	Q-Grip Exclusive high-friction, anti-slip coating. Not with 20" (451) rear wheels.	£ 299.00
TRRIM5	Plastic Coated, Black	£ 121.00
TRRIM10	The Surge Large profile. All-In-One oval with Gription™ strip.	£ 299.00
TRRIM11	The Surge LT Small profile. All-In-One oval with Gription™ strip.	£ 299.00
TRRIM14	The Natural-Fit®, Standard Grip Original, large profile. Not with short tabs or Spinergy Carbon Blade rear wheels.	£ 299.00
TRRIM15	The Natural-Fit®, Super Grip Original, large profile. Not with short tabs or Spinergy Carbon Blade rear wheels.	£ 299.00
TRRIM16	The Natural-Fit®, Without Thumb Grip Original, large profile.	£ 299.00
TRRIM17	The Natural-Fit® LT, Standard Grip Reduced weight, small profile. Not with short tabs or Spinergy Carbon Blade rear wheels.	£ 299.00
TRRIM18	The Natural-Fit® LT, Super Grip Reduced weight, small profile. Not with short tabs or Spinergy Carbon Blade rear wheels.	£ 299.00
TRRIM19	The Natural-Fit® LT, Without Thumb Grip Reduced weight, small profile.	£ 299.00

HANDRIM TAB LENGTH

TRRIM7	Long Tabs	
TRRIM8	Short Tabs Not with Mag rear wheels or The Natural-Fit® handrims with thumb grip.	£ 20.00

WHEEL LOCKS

TAWLK7	Compact Composite Push to Lock Available with 0.75" (1.9 cm)-1.5" (3.8 cm) rear wheel spacing only.	
TAWLK8	Compact Composite Pull to Lock Available with 0.75" (1.9 cm)-1.5" (3.8 cm) rear wheel spacing only.	
TAWLK10	Extension Handles for Compact Composite Push/Pull to Lock	£ 83.00

TAWLK11	MBL Composite Scissor Lock	£ 136.00
TAWLK3	Uni-Lock	£ 153.00
	Push Pull	
TAWLK4	Extension Handles for Uni-Lock	£ 83.00
TAWLK15	Grade Aids Push to Lock <i>Not with solid rear tires.</i>	£ 169.00

SIDE GUARDS

TASDG2-S	Aluminum Side Guards, Rigid Removable	£ 182.00
	Small	
TASDG3-S	Aluminum Side Guards, Quad Removable w/Hole	£ 190.00
	Small Standard	
TASDG4-S	Aluminum Fold Down Side Guards, Rigid <i>Not available with ergonomic seats.</i>	£ 190.00
	Small Standard	
TASDG6	Aluminum Fendered Side Guards, Adjustable <i>24"-25" rear wheels require rear seat height 14.5"-19.5". 26" rear wheels require rear seat height 15.5"-18.5".</i>	£ 190.00
TASDG7-S	Carbon Side Guards, Rigid Removable	£ 313.00
	Small Standard	
TASDG8-S	Carbon Side Guards, Quad Removable w/Hole	£ 285.00
	Small Standard	
TASDG9-S	Carbon Fold Down Side Guards, Rigid <i>Not available with ergonomic seats.</i>	£ 313.00
	Small Standard	
TASDG12	Carbon Fendered Side Guards, Removable	£ 313.00

ARMRESTS

Swing Away Tubular	<i>Not with non-folding, fixed height titanium seat back or height adjustable push handles.</i>		£ 200.00
Range:	6.5"-9.5" (16.5-24.1 cm)	9.5"-12.5" (24.1-31.8 cm)	
TAARM4-9	Swing Away Flip Back Tubular 8.5"-11.5" (21.6-29.2 cm) <i>Not with non-folding, fixed height titanium seat back.</i>		£ 289.00
TAARM2-X	Removable Height Adjustable Desk Arm with Rigid Side Guard <i>Requires 14" (35.6 cm) minimum seat depth. Not with ergonomic seat.</i>		
Range:	9"-12" (22.9-30.5 cm)	12"-15" (30.5-38.1 cm)	
Pad Size:	Desk Length 10" (25.4 cm)	Full Length 14" (35.6 cm)	
TAARM3-X	Removable Height Adjustable Desk Arm with Rigid Side Guard and Transfer Loop <i>Requires 15" (38.1 cm) minimum seat depth. Not with ergonomic seat.</i>		£ 341.00
Range:	9"-12" (22.9-30.5 cm)	12"-15" (30.5-38.1 cm)	
Pad Size:	Desk Length 10" (25.4 cm)	Full Length 14" (35.6 cm)	
TAARM5	Armrests Covered in Black Ultrasuede <i>Not with desk arms.</i>		£ 103.00

POSITIONING BELTS

TABLT1	Velcro Adjustable, Black Nylon Webbing	£ 42.00
TABLT10	BodyPoint Optional Band C <i>Lamp Mounting Hardware</i>	£ 20.00
TABLT2	BodyPoint Auto-Style <i>Release Buckle</i>	£ 95.00
TABLT4	BodyPoint 1" Push Button <i>Padded Buckle</i>	£ 173.00
TABLT5	BodyPoint 1.5" Push Button <i>Padded Buckle</i>	£ 173.00
TABLT15	BodyPoint 1" Wide Evoflex	£ 178.00
	Swivel Buckle Push Button Buckle Rehab Latch Buckle	£ 178.00

ANTI-TIPS

TATIP1	Rear Aluminum, Black	£ 150.00
TATIP2	User Friendly Flip-Up	£ 307.00

ACCESSORIES

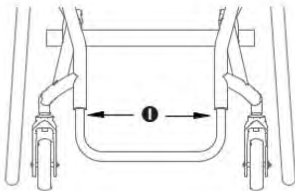
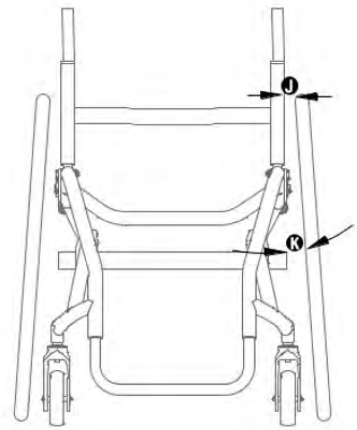
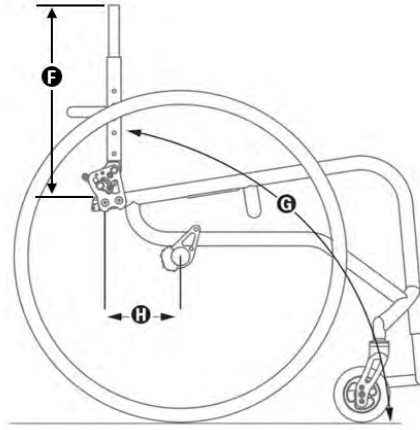
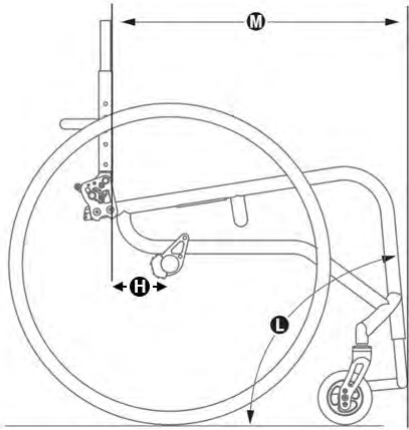
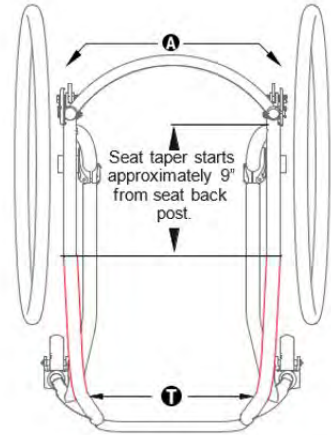
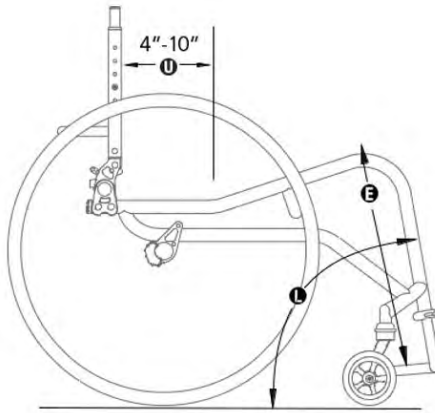
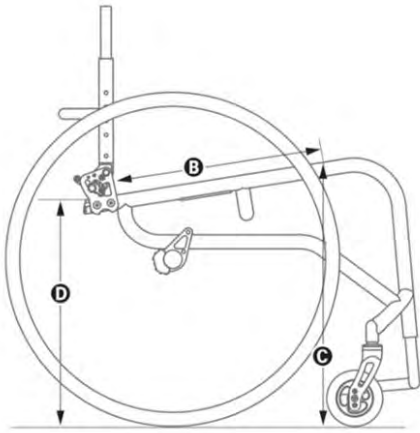
TAGRD1	Clear Lexan Spoke Guards with TiMotion Logo <i>Not with Mag rear wheels.</i>	£ 121.00
TABCK3	Permobil Medical Necessities Backpack	£ 88.00
TAPCH3	Permobil Medical Necessities Seat Pouch	£ 51.00
TAUEST1	Upper Extremity Support Tray <i>Requires armrests.</i>	£ 266.00
	12"-14" (30.5-35.6 cm) seat widths 13"-15" (33.0-38.1 cm) seat widths	£ 266.00
TALUG1	Luggage Carriers	£ 136.00
TAMPCT2-BL	Black Neoprene Impact Guards with Ultrasuede Stripe	£ 98.00
TACH1	Crutch Holder	£ 136.00

GENERAL

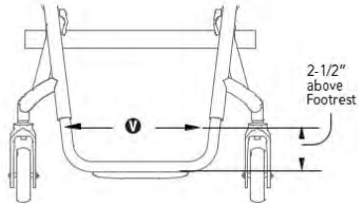
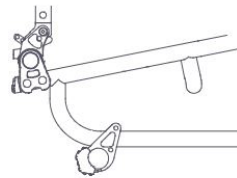
Permobil manufactures TiLite manual wheelchairs in a wide variety of configurations to meet the varied needs of wheelchair users. The final selection of a particular model, its options and accessories, and its measurements rests solely with the wheelchair user and the advising healthcare professional. These wheelchairs must be fitted by a qualified healthcare professional. Prices, standard features, options and accessories are subject to change without notice. All rights reserved.

NOTES

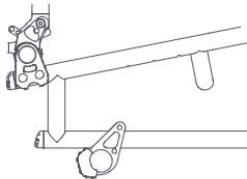
TiFit REFERENCE DIAGRAMS



Aero T and TRA will always have a rounded rear frame.



TR rear frame will be square when the center of gravity measurement is less than 3.5"



TRA will always have a rounded frame