

# Compare and Choose

your electric handbike



permobil



## BATEC MINI 2



Maximum speed
20 Km/h
Autonomy
28 km * with a 280 Wh battery 52 km * with a 522 Wh battery
Motor
350 RPM high-torque brushless motor Nominal power: 350 W Peak power: 600 W Reverse gear
Battery and charger
2 options: 36V – 280 Wh or 36V – 522Wh 4A Charger
Frame
Aluminium 7005 T6/ Aluminium 6061 T6 Black 1.1/8 headset Folding stem bar Removable right dropout —
Handlebar
Folding handlebar in matte black aluminium Available for quadriplegics and hemiplegics
Brakes
Avid BB5 mechanical brakes Brake levers with parking brake and signal cut-off sensor Avid G2 140-mm rotor disc
Wheel
12" x 2.40" ultra-grip tyre 12" cast aluminium rim
Equipment
100-lumen front light with position light Dual LED tail lights on the stand frame All-in-one LCD screen with cyclo computer and battery gauge USB charging port Horn BATEC ACOPLA support Transport handle special for BATEC MINI 2 — —
Weight   SWL
12,9 Kg (without battery)    SWL 110kg

## BATEC ELECTRIC 2



Maximum speed
25 Km/h
Autonomy
22 km * with a 280 Wh battery 35 km * with a 522 Wh battery
Motor
250 RPM high-torque brushless motor Nominal power: 900 w Peak power: 1050 w Reverse gear
Battery and charger
2 options: 36 V - 280 Wh or 36 V - 522 Wh 4A Charger
Frame
7005 T6 Aluminium Black 1.1/8 headset — Removable right dropout —
Handlebar
Matte black aluminium handlebar Available for quadriplegics and hemiplegics
Brakes
Avid BB5 mechanical brakes Brake levers with parking brake Avid G2 180-mm rotor disc
Wheel
18" x 2.40" exclusive ultra-grip tyre 18" black aluminium double-wall rim
Equipment
700-lumen front light with position light Dual LED tail lights on the stand frame All-in-one LCD screen with cyclo computer and battery gauge USB charging port Horn BATEC ACOPLA support BATEC ASA Removable QR weights —
Weight   SWL
15,9 Kg (without battery)    SWL 110Kg

## BATEC RAPID 2



Maximum speed
30 Km/h
Autonomy
22 km * with a 280 Wh battery 50 km * with a 678 Wh battery
Motor
300 RPM high-torque brushless motor Nominal power: 1440 w Peak power: 1620 w Reverse gear
Battery and charger
2 options: 36/48 V - 280 Wh or 48 V - 678 Wh 3A Charger
Frame
7005 T6 Aluminium 1.1/8 FSA Orbit Mx Black steering — Removable right dropout —
Handlebar
Matte black aluminium handlebar Available for quadriplegics and hemiplegics
Brakes
Avid BB7 mechanical brakes Brake levers with parking brake Galfer 180 mm floating brake disc with anodized red accents
Wheel
18" x 2.40" exclusive ultra-grip tyre 18" black aluminium double-wall rim
Equipment
700-lumen front light with position light Dual LED tail lights on the stand frame All-in-one LCD screen with cyclo computer and battery gauge USB charging port Horn BATEC ACOPLA support BATEC ASA Removable QR weights —
Weight   SWL
15,9 Kg (without battery)    SWL 110Kg

## BATEC SCRAMBLER 2



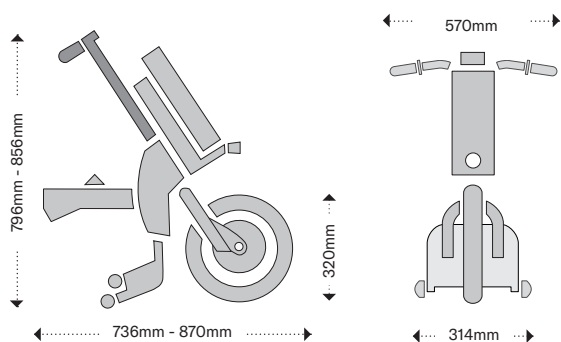
Maximum speed
30 Km/h
Autonomy
22 km * with a 280 Wh battery 50 km * with a 678 Wh battery
Motor
300 RPM high-torque brushless motor Nominal power: 1440 w Peak power: 1620 w Reverse gear
Battery and charger
2 options: 36/48 V - 280 Wh or 48 V - 678 Wh 3A Charger
Frame
7005 T6 Aluminium 1.1/8 FSA Orbit Mx Black steering — Removable right dropout Stand frame with suspension
Handlebar
Matte black aluminium handlebar Available for quadriplegics and hemiplegics
Brakes
Avid BB7 mechanical brakes Brake levers with parking brake and signal cut-off sensor Galfer 203 mm floating brake disc with anodized red accents.
Wheel
19" x 2.75" ultra-grip tyre 19" black aluminium double-wall rim
Equipment
1400-lumen double front light with position light Dual LED tail lights on the stand frame All-in-one LCD screen with cyclo computer and battery gauge USB charging port Horn BATEC ACOPLA support BATEC ASA Removable QR weights Anti-slip function
Weight   SWL
16,7 Kg (without battery)    SWL 110Kg

\* Autonomy calculated under the following conditions: 75-kg user, ultra-light wheelchair, flat terrain, no wind and steady speed of 15 km/h. May vary ±20% depending on the battery. Number/version: MM-006/9.0

# MEASUREMENTS

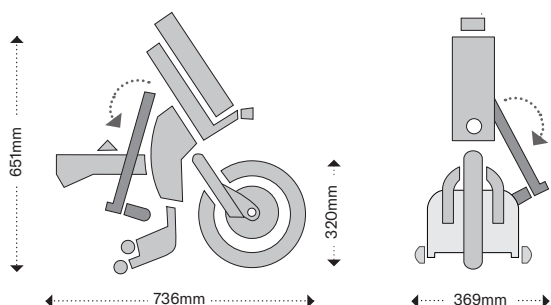
An electric HANDBIKE for every need!

## MINI 2 FOLDED OUT



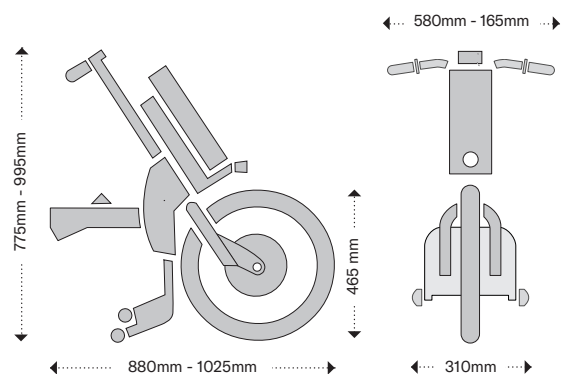
Kit your Batec out with the most original and practical accessories for your daily life.

## MINI 2 FOLDED IN



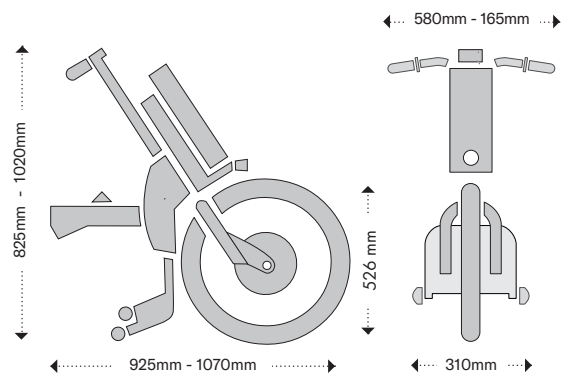
The quadriplegic version includes a handlebar without levers for smooth movements when braking and accelerating.

## ELECTRIC 2 / RAPID 2



The hemiplegic version has all the controls on one side and Monolever brakes.

## SCRAMBLER 2



Batec is compatible with 95% of the wheelchairs on the market.