

# Measurement Instructions

Read the measurements in this brochure and in the product documentation at permobil.ca.



## CUSHION HEIGHT

The height of a normal inflated cushion without load and without possible edging or seat shell.

These measurements may also be found in the product descriptions and on product labels.



## CUSHION WIDTH

Cushion width measured from edge to edge without load.

These measurements may also be found in the product descriptions and on product labels.



## CUSHION DEPTH

Cushion depth measured from edge to edge without load.

These measurements may also be found in the product descriptions and on product labels.



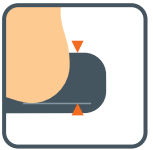
## SEAT WIDTH

The appropriate seat width for using the cushion.



## SEAT DEPTH

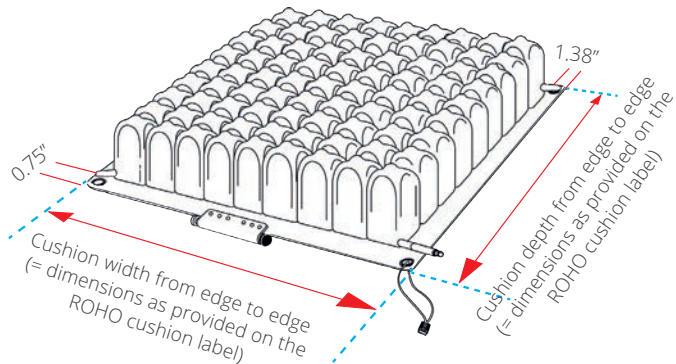
The appropriate seat depth for using the cushion.



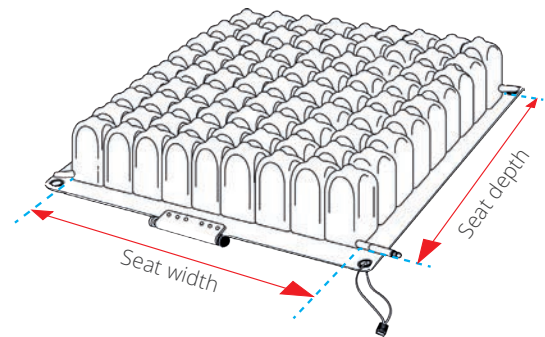
## EFFECTIVE HEIGHT OF DRY FLOATATION® / AIR FLOATATION™

Spacing between the lower portion of the body and the top of the seat cushion or mattress. The effective height of DRY FLOATATION® (height for AIR FLOATATION™ products with AIR FLOATATION™ technology) makes assumptions regarding the depth to which the body sinks into the cushion. The deeper, the greater the contact surface and the lower the pressure per cm<sup>2</sup> of skin.

### CUSHION WIDTH AND DEPTH



### SEAT WIDTH AND DEPTH



NOTE: Cushions with no weight limit must be sized correctly to the individual.

# Select the correct size ROHO Cushion for your wheelchair:

**Step 1** Measure the wheelchair seat width and depth.  
 Note: Wheelchair manufacturers' published seat dimensions may vary.

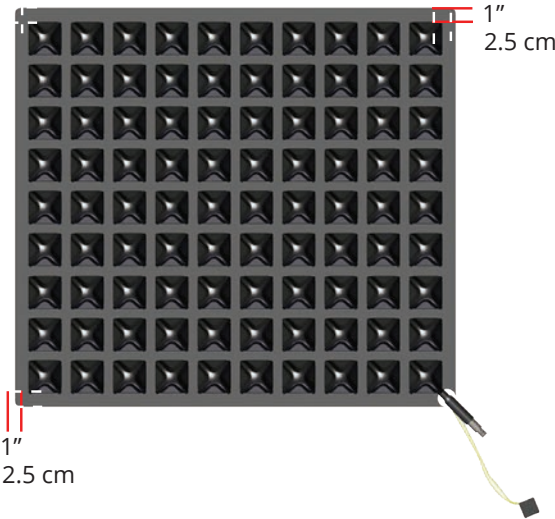
**Step 2** Use your wheelchair seat dimensions and the below table to help you determine the number of cells in cushion width and in depth.

ROHO® NEOPRENE CUSHION SIZING CHART

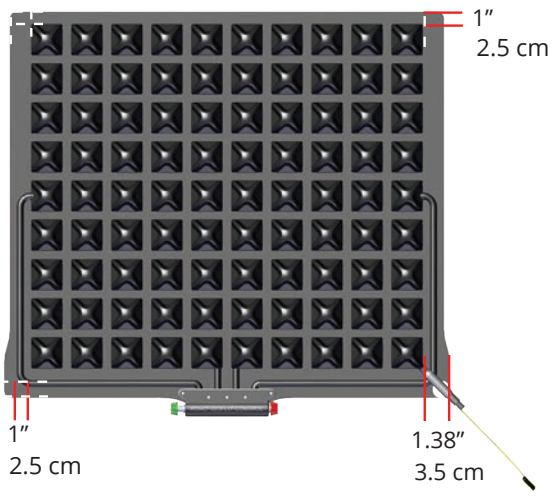
Fits wheelchair size (inches / cm)	Number of cells
10 / 22 to 26.5	5
11 to 12 / 26.5 to 31	6
13 / 31 to 35	7
14 to 15 / 35 to 39.5	8
16 to 17 / 39.5 to 44	9
18 to 19 / 44 to 48.5	10
20 to 21 / 48.5 to 52.5	11
22 / 52.5 to 57	12
23 to 24 / 57 to 61	13
25 / 61 to 65.5	14
26 to 27 / 65.5 to 70	15

Note: Availability of cushion sizes varies by model.

SINGLE COMPARTMENT CUSHIONS



SELECT SERIES CUSHIONS



# Cushion Sizing Charts

## Hybrid Elite SR™ Cushion

Model	Fits wheelchair (in.)	Fits wheelchair (cm)
1RHE1414C-SR	14" x 14"	35.5 x 35.5
1RHE1415C-SR	14" x 15"	35.5 x 38
1RHE1416C-SR	14" x 16"	38 x 40.5
1RHE1515C-SR	15" x 15"	38 x 38
1RHE1516C-SR	15" x 16"	38 x 40.5
1RHE1517C-SR	15" x 17"	38 x 43
1RHE1615C-SR	16" x 15"	40.5 x 38
1RHE1616C-SR	16" x 16"	40.5 x 40.5
1RHE1617C-SR	16" x 17"	40.5 x 43
1RHE1618C-SR	16" x 18"	40.5 x 45.5
1RHE1620C-SR	16" x 20"	40.5 x 51
1RHE1716C-SR	17" x 16"	43 x 40.5
1RHE1717C-SR	17" x 17"	43 x 43
1RHE1718C-SR	17" x 18"	43 x 45.5
1RHE1816C-SR	18" x 16"	45.5 x 40.5
1RHE1817C-SR	18" x 17"	45.5 x 43
1RHE1818C-SR	18" x 18"	45.5 x 45.5
1RHE1820C-SR	18" x 20"	45.5 x 51
1RHE2017C-SR	20" x 17"	51 x 43
1RHE2018C-SR	20" x 18"	51 x 45.5
1RHE2020C-SR	20" x 20"	51 x 51
1RHE2218C-SR	22" x 18"	56 x 45.5
1RHE2220C-SR	22" x 20"	56 x 51
1RHE2222C-SR	22" x 22"	56 x 56
1RHE2418C-SR	24" x 18"	61 x 45.5
1RHE2420C-SR	24" x 20"	61 x 51

## AirLITE® Cushion

Model	Fits wheelchair (in.)	Fits wheelchair (cm)
AL1313HD	13" x 13"	33 x 33
AL1315HD	13" x 15"	33 x 38
AL1414HD	14" x 14"	36 x 36
AL1416HD	14" x 16"	36 x 41
AL1515HD	15" x 15"	38 x 38
AL1517HD	15" x 17"	38 x 43
AL1616HD	16" x 16"	41 x 41
AL1618HD	16" x 18"	41 x 46
AL1717HD	17" x 17"	43 x 43
AL1718HD	17" x 18"	43 x 46
AL1720HD	17" x 20"	43 x 51
AL1816HD	18" x 16"	46 x 41
AL1818HD	18" x 18"	46 x 46
AL1820HD	18" x 20"	46 x 51
AL1917HD	19" x 17"	48 x 43
AL1919HD	19" x 19"	48 x 48
AL2017HD	20" x 17"	51 x 43
AL2018HD	20" x 18"	51 x 46

## Hybrid Elite® Dual Valve Cushion

Model	Fits wheelchair (in.)	Fits wheelchair (cm)
2RHE1414C	14" x 14"	36 x 36
2RHE1415C	14" x 15"	36 x 38
2RHE1416C	14" x 16"	36 x 41
2RHE1515C	15" x 15"	38 x 38
2RHE1516C	15" x 16"	38 x 41
2RHE1517C	15" x 17"	38 x 43
2RHE1615C	16" x 15"	41 x 38
2RHE1616C	16" x 16"	41 x 41
2RHE1617C	16" x 17"	41 x 43
2RHE1618C	16" x 18"	41 x 46
2RHE1620C	16" x 20"	41 x 51
2RHE1716C	17" x 16"	43 x 41
2RHE1717C	17" x 17"	43 x 43
2RHE1718C	17" x 18"	43 x 46
2RHE1816C	18" x 16"	46 x 41
2RHE1817C	18" x 17"	46 x 43
2RHE1818C	18" x 18"	46 x 46
2RHE1820C	18" x 20"	46 x 51
2RHE2017C	20" x 17"	51 x 43
2RHE2018C	20" x 18"	51 x 46
2RHE2020C	20" x 20"	51 x 51

## nexus SPIRIT® Cushion

Model	Fits wheelchair (in.)	Fits wheelchair (cm)
NS1414C	14" x 14"	36 x 36
NS1416C	14" x 16"	36 x 41
NS1515C	15" x 15"	38 x 38
NS1616C	16" x 16"	41 x 41
NS1618C	16" x 18"	41 x 46
NS1717C	17" x 17"	43 x 43
NS1816C	18" x 16"	46 x 41
NS1818C	18" x 18"	46 x 46
NS2018C	20" x 18"	51 x 46

Note: Sizes listed represent wheelchair size. Actual cushion size is approximately 1.5" deeper to allow for placement between back support canes.

# ROHO® AGILITY® Standard Series Sizing Charts

For insert choices remove the # from the model number and replace with:

- F for Foam Only
- FL for Foam and Lumbar Pad
- A for Air Only
- AL for Air with Lumbar Pad

For hardware choices remove the X from the model number and replace with:

- 1 for Quick Release hardware
- 2 for Fixed hardware

Note: Fixed hardware is not available in heights taller than 16"

## MINIMUM CONTOUR (AG2)

ITEM	Fits wheelchair (in.)	Fits wheelchair (cm)
AG2-1410#-X	13" to 14"	33 to 35.5
AG2-1413#-X	13" to 14"	33 to 35.5
AG2-1416#-X	13" to 14"	33 to 35.5
AG2-1418#-X	13" to 14"	33 to 35.5
AG2-1510#-X	14" to 15"	35.5 to 38
AG2-1513#-X	14" to 15"	35.5 to 38
AG2-1516#-X	14" to 15"	35.5 to 38
AG2-1518#-X	14" to 15"	35.5 to 38
AG2-1610#-X	15" to 16"	38 to 40.5
AG2-1613#-X	15" to 16"	38 to 40.5
AG2-1616#-X	15" to 16"	38 to 40.5
AG2-1618#-X	15" to 16"	38 to 40.5
AG2-1710#-X	16" to 17"	40.5 to 43
AG2-1713#-X	16" to 17"	40.5 to 43
AG2-1716#-X	16" to 17"	40.5 to 43
AG2-1718#-X	16" to 17"	40.5 to 43
AG2-1810#-X	17" to 18"	43 to 45.5
AG2-1813#-X	17" to 18"	43 to 45.5
AG2-1816#-X	17" to 18"	43 to 45.5
AG2-1818#-X	17" to 18"	43 to 45.5
AG2-1910#-X	18" to 19"	45.5 to 48.5
AG2-1913#-X	18" to 19"	45.5 to 48.5
AG2-1916#-X	18" to 19"	45.5 to 48.5
AG2-1918#-X	18" to 19"	45.5 to 48.5
AG2-2010#-X	19" to 20"	48.5 to 51
AG2-2013#-X	19" to 20"	48.5 to 51
AG2-2016#-X	19" to 20"	48.5 to 51
AG2-2018#-X	19" to 20"	48.5 to 51

## MID CONTOUR (AG3)

Available only with Air Only (A) and Air with Lumbar Pad (AL) inserts.

ITEM	Fits wheelchair (in.)	Fits wheelchair (cm)
AG3-1410#-X	13" to 14"	33 to 35.5
AG3-1413#-X	13" to 14"	33 to 35.5
AG3-1416#-X	13" to 14"	33 to 35.5
AG3-1418#-X	13" to 14"	33 to 35.5
AG3-1510#-X	14" to 15"	35.5 to 38
AG3-1513#-X	14" to 15"	35.5 to 38
AG3-1516#-X	14" to 15"	35.5 to 38
AG3-1518#-X	14" to 15"	35.5 to 38
AG3-1520#-X	14" to 15"	38 to 40.5
AG3-1610#-X	15" to 16"	38 to 40.5
AG3-1613#-X	15" to 16"	38 to 40.5
AG3-1616#-X	15" to 16"	38 to 40.5
AG3-1618#-X	15" to 16"	38 to 40.5
AG3-1620#-X	15" to 16"	38 to 40.5
AG3-1710#-X	16" to 17"	40.5 to 43
AG3-1713#-X	16" to 17"	40.5 to 43
AG3-1716#-X	16" to 17"	40.5 to 43
AG3-1718#-X	16" to 17"	40.5 to 43
AG3-1720#-X	16" to 17"	40.5 to 43
AG3-1810#-X	16" to 17"	43 to 45.5
AG3-1813#-X	17" to 18"	43 to 45.5
AG3-1816#-X	17" to 18"	43 to 45.5
AG3-1818#-X	17" to 18"	43 to 45.5
AG3-1910#-X	18" to 19"	45.5 to 48.5
AG3-1913#-X	18" to 19"	45.5 to 48.5
AG3-1916#-X	18" to 19"	45.5 to 48.5
AG3-1918#-X	18" to 19"	45.5 to 48.5
AG3-1920#-X	18" to 19"	45.5 to 48.5
AG3-2010#-X	19" to 20"	48.5 to 51
AG3-2013#-X	19" to 20"	48.5 to 51
AG3-2016#-X	19" to 20"	48.5 to 51
AG3-2018#-X	19" to 20"	48.5 to 51
AG3-2020#-X	19" to 20"	48.5 to 51

## MAX CONTOUR (AG6)

Available only with Air Only (A) and Air with Lumbar Pad (AL) inserts.

ITEM	Fits wheelchair (in.)	Fits wheelchair (cm)
AG6-1416#-X	13" to 14"	33 to 35.5
AG6-1418#-X	13" to 14"	33 to 35.5
AG6-1420#-X	13" to 14"	33 to 35.5
AG6-1516#-X	14" to 15"	35.5 to 38
AG6-1518#-X	14" to 15"	35.5 to 38
AG6-1520#-X	14" to 15"	35.5 to 38
AG6-1616#-X	15" to 16"	38 to 40.5
AG6-1618#-X	15" to 16"	38 to 40.5
AG6-1620#-X	15" to 16"	38 to 40.5
AG6-1716#-X	16" to 17"	40.5 to 43

ITEM	Fits wheelchair (in.)	Fits wheelchair (cm)
AG6-1718#-X	16" to 17"	40.5 to 43
AG6-1720#-X	16" to 17"	40.5 to 43
AG6-1816#-X	17" to 18"	43 to 45.5
AG6-1818#-X	17" to 18"	43 to 45.5
AG6-1820#-X	17" to 18"	43 to 45.5
AG6-1916#-X	18" to 19"	45.5 to 48.5
AG6-1918#-X	18" to 19"	45.5 to 48.5
AG6-1920#-X	18" to 19"	45.5 to 48.5
AG6-2016#-X	19" to 20"	48.5 to 51
AG6-2018#-X	19" to 20"	48.5 to 51
AG6-2020#-X	19" to 20"	48.5 to 51

# ROHO® AGILITY® Active Series Sizing Charts

## AGILITY CARBON MINIMUM CONTOUR

ITEM	Fits wheelchair width (in.)	Fits wheelchair width (cm)
AG2-1410A-2CB	14"	35.5 cm
AG2-1413A-2CB	14"	35.5 cm
AG2-1416A-2CB	14"	35.5 cm
AG2-1510A-2CB	15"	38 cm
AG2-1513A-2CB	15"	38 cm
AG2-1516A-2CB	15"	38 cm
AG2-1610A-2CB	16"	40.5 cm
AG2-1613A-2CB	16"	40.5 cm
AG2-1616A-2CB	16"	40.5 cm
AG2-1710A-2CB	17"	43 cm
AG2-1713A-2CB	17"	43 cm
AG2-1716A-2CB	17"	43 cm
AG2-1810A-2CB	18"	45.5 cm
AG2-1813A-2CB	18"	45.5 cm
AG2-1816A-2CB	18"	45.5 cm

## AGILITY CARBON MID CONTOUR

ITEM	Fits wheelchair width (in.)	Fits wheelchair width (cm)
AG3-1410A-2CB	14"	35.5 cm
AG3-1413A-2CB	14"	35.5 cm
AG3-1416A-2CB	14"	35.5 cm
AG3-1510A-2CB	15"	38 cm
AG3-1513A-2CB	15"	38 cm
AG3-1516A-2CB	15"	38 cm
AG3-1610A-2CB	16"	40.5 cm
AG3-1613A-2CB	16"	40.5 cm
AG3-1616A-2CB	16"	40.5 cm
AG3-1710A-2CB	17"	43 cm
AG3-1713A-2CB	17"	43 cm
AG3-1716A-2CB	17"	43 cm
AG3-1810A-2CB	18"	45.5 cm
AG3-1813A-2CB	18"	45.5 cm
AG3-1816A-2CB	18"	45.5 cm

Note: AGILITY Carbon Back Supports are available only with the Air Only insert.

## AGILITY ALUMINUM MIN

ITEM	Fits wheelchair width (in.)	Fits wheelchair width (cm)
AG2-1408F-2A	14"	35.5 cm
AG2-1410F-2A	14"	35.5 cm
AG2-1508F-2A	15"	38 cm
AG2-1510F-2A	15"	38 cm
AG2-1608F-2A	16"	40.5 cm
AG2-1610F-2A	16"	40.5 cm
AG2-1708F-2A	17"	43 cm
AG2-1710F-2A	17"	43 cm
AG2-1808F-2A	18"	45.5 cm
AG2-1810F-2A	18"	45.5 cm

## AGILITY ALUMINUM MID

ITEM	Fits wheelchair width (in.)	Fits wheelchair width (cm)
AG3-1408F-2A	14"	35.5 cm
AG3-1410F-2A	14"	35.5 cm
AG3-1508F-2A	15"	38 cm
AG3-1510F-2A	15"	38 cm
AG3-1608F-2A	16"	40.5 cm
AG3-1610F-2A	16"	40.5 cm
AG3-1708F-2A	17"	43 cm
AG3-1710F-2A	17"	43 cm
AG3-1808F-2A	18"	45.5 cm
AG3-1810F-2A	18"	45.5 cm